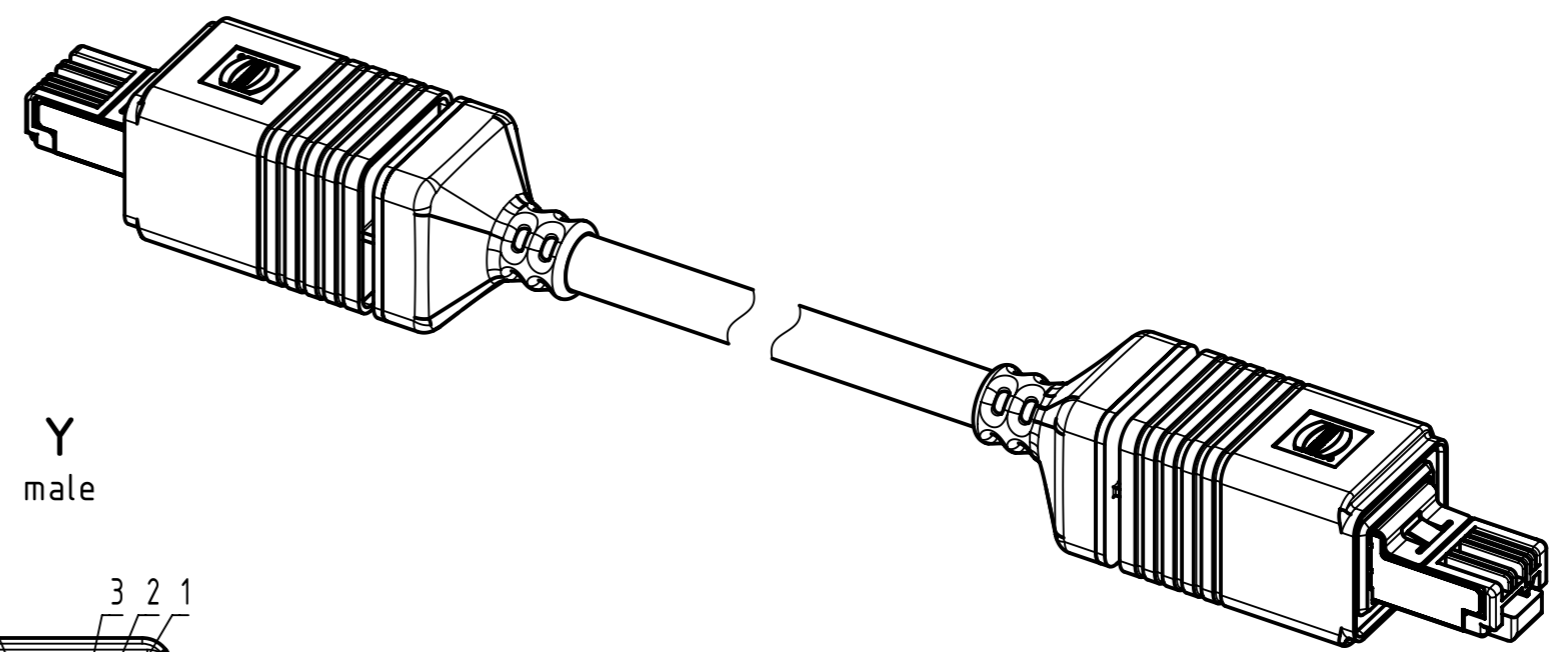
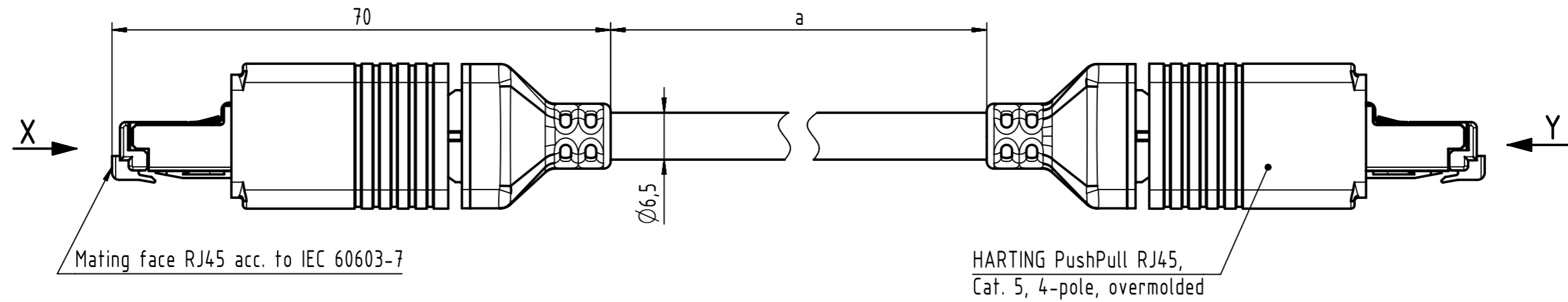


Connector Location A

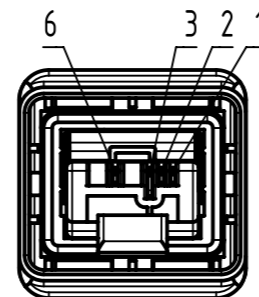
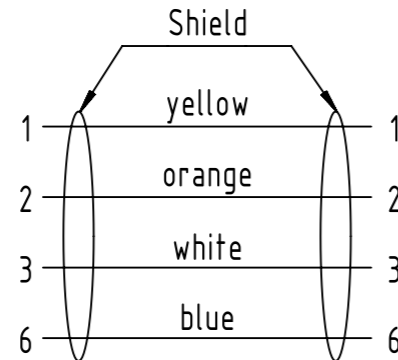
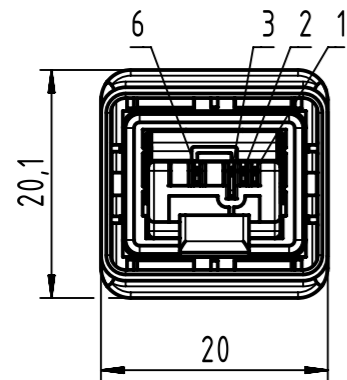
Connector Location B



X male

Loading-Plan

Y male



- Protection level: IP65/67
- Temperature range: -40°C ... +70°C

	All rights reserved	Created by STOCHECIC Stochei	Inspected by COSTEA Costea	Standardisation MUNTEANV Muntean	Date 2018-05-17	State Final Release
	Department HCS - RO	Title HARTING PushPull RJ45 Cable Assembly			Doc-Key / ECM-Nr. 100155480/UGD/008/D 500000135295	
HARTING Customised Solutions D-32339 Espelkamp		Type TB	Number 09473636XXX		Rev. D	Page 1/2

1		2		3		4		5		6		7		8	
A	49	09473636044	RJ45 Ethernet stranded cable, 4xAWG22/7, PVC, Cat. 5+, green	100	93	09473636088	RJ45 Ethernet stranded cable, AWG22/7, 2x2x0.75, outdoor, PVC, Cat. 5+, black	100	A						
	48	09473636043		90	92	09473636087		90							
	47	09473636042		80	91	09473636086		80							
	46	09473636041		70	90	09473636085		70							
	B	45		09473636040	60	89		09473636084		60					
		44		09473636039	50	88		09473636083		50					
		43		09473636038	40	87		09473636082		40					
		42		09473636037	30	86		09473636081		30					
		41		09473636036	20	85		09473636080		20					
		40		09473636035	15	84		09473636079		15					
		39		09473636034	10	83		09473636078		10					
		38		09473636033	9	82		09473636077		9					
		37		09473636032	8	81		09473636076		8					
		C		36	09473636031	7		80		09473636075	7				
	35			09473636030	6	79		09473636074		6					
	34			09473636029	5	78		09473636073		5					
	33			09473636028	4	77		09473636072		4					
	32			09473636027	3	76		09473636071		3					
	31			09473636026	2	75		09473636070		2					
	30			09473636025	1.5	74		09473636069		1.5					
	29			09473636024	1	73		09473636068		1					
	28			09473636023	0.5	72		09473636067		0.5					
	D			27	09473636022	100		71		09473636066	100				
		26		09473636021	90	70		09473636065		90					
		25		09473636093	85	69		09473636064		80					
		24		09473636020	80	68		09473636063		70					
		23		09473636019	70	67		09473636062		60					
		22		09473636092	65	66		09473636061		50					
		21		09473636018	60	65		09473636060		40					
		20		09473636091	55	64		09473636059		30					
		19		09473636017	50	63		09473636058		20					
		E		18	09473636016	40		62		09473636057	15				
	17			09473636090	35	61		09473636056		10					
	16			09473636015	30	60		09473636055		9					
	15			09473636089	25	59		09473636054		8					
	14			09473636014	20	58		09473636053		7					
	13			09473636013	15	57		09473636052		6					
	12			09473636012	10	56		09473636051		5					
	11			09473636011	9	55		09473636050		4					
	10			09473636010	8	54		09473636049		3					
	F			9	09473636009	7		53		09473636048	2				
		8		09473636008	6	52		09473636047		1.5					
		7		09473636007	5	51		09473636046		1					
		6		09473636006	4	50		09473636045		0.5					
		5		09473636005	3	Cont. no.		Part no.		Type of cable	Dim. a[m]				
		4		09473636004	2										
		3		09473636003	1.5	All Dimensions in mm Original Size DIN A3									
		2		09473636002	1	Scale 1:1 Free size tol.									
		1		09473636001	0.5	Ref. Sub.									
Cont. no.		Part no.	Type of cable	Dim. a[m]	All rights reserved Department HCS - RO										
				Created by STOCHECIC Stocheci		Inspected by COSTEA Costea		Standardisation MUNTEANV Muntean		Date 2018-05-17		State Final Release			
				Title HARTING PushPull RJ45 Cable Assembly											
				Type TB		Number 09473636XXX				Doc-Key / ECM-Nr. 100155480/UGD/008/D 500000135295					
				HARTING Customised Solutions D-32339 Espelkamp				Rev. D		Page 2/2					

X-ON Electronics

Largest Supplier of Electrical and Electronic Components

Click to view similar products for [HARTING](#) manufacturer:

Other Similar products are found below :

[09452812560333](#) [73550400915](#) [9120052633](#) [9200165425](#) [9300160306](#) [9300165422](#) [9300245422](#) [11996000001](#) [14010313110334](#)
[14010813101333](#) [14011213102333](#) [14110213002333](#) [15110102601333](#) [15210262401000](#) [15211002601333](#) [15221002401000](#)
[15250682601333](#) [15150082601333](#) [15150262601333](#) [15220062401000](#) [15220122601000](#) [15220502401000](#) [15220682401000](#)
[15250102601333](#) [15250122601333](#) [17051331602](#) [19000007106](#) [19000007109](#) [19120080526](#) [19200030410](#) [19200100251](#) [19200100295](#)
[19200320537](#) [19300061255](#) [19300101420](#) [19300101430](#) [19300101440](#) [19300101730](#) [19300241291](#) [19300480449](#) [1930060291](#)
[19302100291](#) [19302100547](#) [19302101250](#) [19302101541](#) [19302161251](#) [19302161291](#) [19302240448](#) [19302240547](#) [19360061541](#)