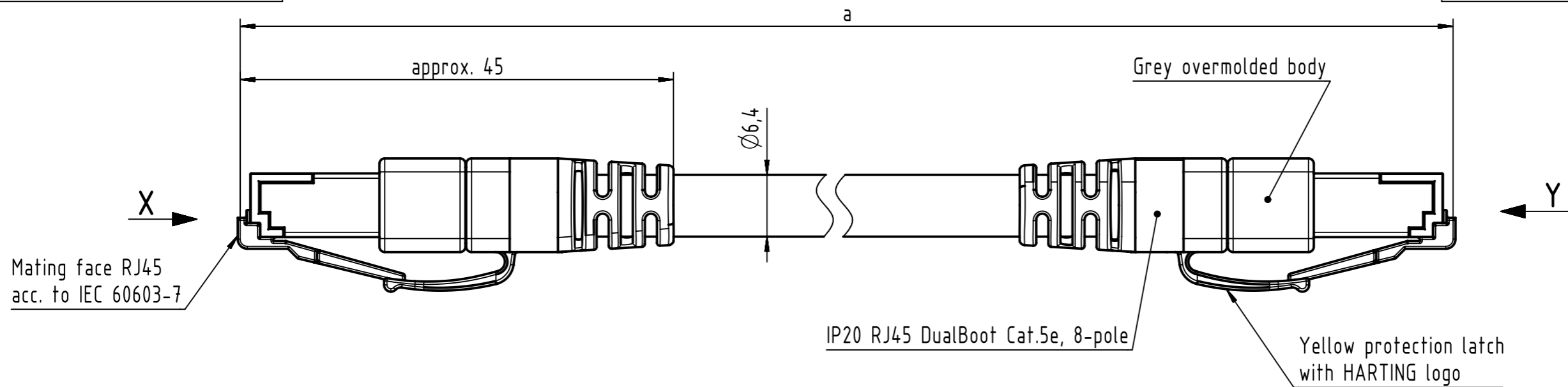
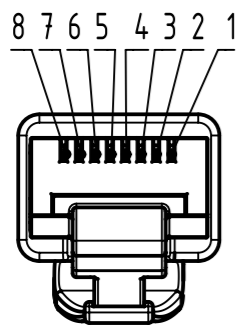


Connector Location A

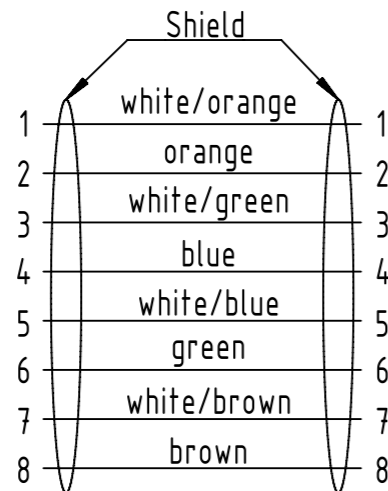
Connector Location B



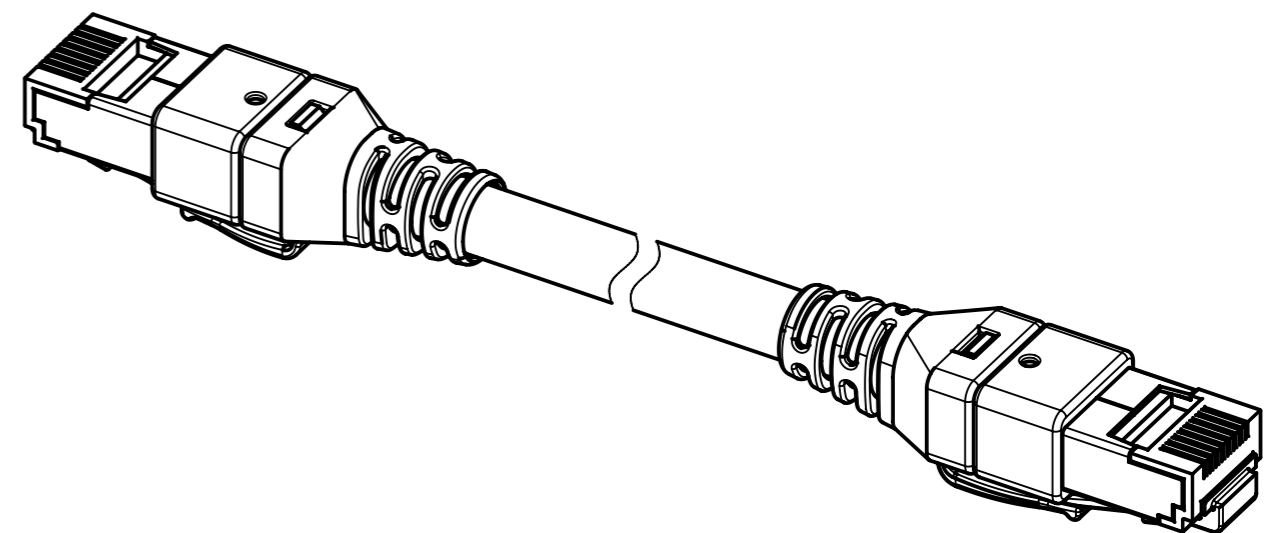
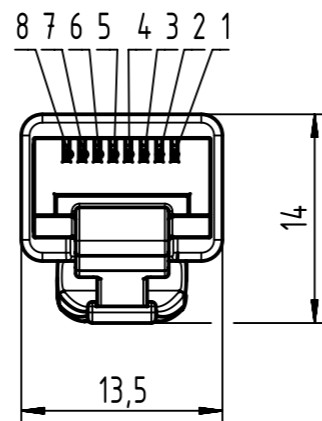
X
male



Loading Plan
acc. to TIA/EIA 568B



Y
male



NOTE:

For lengths < 1.0m:

- relative positioning of the connectors to each other will be as presented in the drawing, however with an admissible angular deviation around cable axis of $\pm 30^\circ$


For lengths ≥ 1.0 m:

-relative positioning of the connectors to each other not obligatory

Temperature range:

- Fixed installation: $-30^\circ\text{C} \dots +75^\circ\text{C}$
- Dynamic installation: $-5^\circ\text{C} \dots +50^\circ\text{C}$

	All rights reserved Department HCS - RO HARTING Customised Solutions D-32339 Espelkamp	All Dimensions in mm	Tech. Character.	Free size tol.	According to production drawing
		Created by COSTEA Costea	Inspected by STOCHECIC Stocheci	Standardisation MUNTEANV Muntean	Date 2019-09-05
Title RJ1 cable 4x2xAWG26/7 CAT5e PUR		Type TB		Number 094747470XX	
		Doc-Key / ECM-Nr. 100170398/UGD/016/M 500000157666		Rev. M	Page 1/2

1	2	3	4	5	6	7	8									
41	09474747040	4x2xAWG 26/7 S/FTP Cat.5e, PUR, yellow	60	±1%												
40	09474747029		50													
39	09474747036		48													
38	09474747028		40													
37	09474747026		35													
36	09474747027		30													
35	09474747025		25													
34	09474747023		20													
33	09474747034		18													
32	09474747033		17													
31	09474747032		16													
30	09474747022		15													
29	09474747031		14													
28	09474747035		12													
27	09474747030		11													
26	09474747021		10													
25	09474747020		9													
24	09474747019		8													
23	09474747018		7.5													
22	09474747017		7													
21	09474747016		6					+0.040								
20	09474747015		5													
19	09474747041	4.3														
18	09474747014	4														
17	09474747024	3.5														
16	09474747013	3														
15	09474747012	2.5														
14	09474747011	2														
13	09474747037	1.8														
12	09474747010	1.5														
11	09474747038	1.2	+0.020													
10	09474747009	1														
9	09474747008	0.9														
8	09474747007	0.8														
7	09474747006	0.7														
6	09474747005	0.6														
5	09474747004	0.5														
4	09474747003	0.4														
3	09474747002	0.3														
2	09474747001	0.2														
1	09474747039	0.16														
Cont. no.	Part no.	Type of cable	Dim. a[m]	 All rights reserved Department HCS - RO HARTING Customised Solutions D-32339 Espelkamp				Tech. Character. Free size tol. According to production drawing	Created by COSTEA Costea	Inspected by STOCHECIC Stocheci	Standardisation MUNTEANV Muntean	Date 2019-09-05	State Final Release	Doc-Key / ECM-Nr. 100170398/UGD/016/M 500000157666	Rev. M	Page 2/2

X-ON Electronics

Largest Supplier of Electrical and Electronic Components

Click to view similar products for [Ethernet Cables / Networking Cables](#) category:

Click to view products by [HARTING](#) manufacturer:

Other Similar products are found below :

[73-6670-7](#) [73-6680-15](#) [73-7797-25](#) [MCJB2-10P6Q7-120](#) [84909-0204](#) [1200700174](#) [1200860368](#) [E16A06002M030](#) [E200102-009-S1](#)
[AX105346-EW](#) [MT14-187L](#) [17-103530](#) [ERWPAB3002M005](#) [190-038045-01](#) [NK5EPC18RDY](#) [NK5EPC18VLY](#) [NK5EPC18YLY](#)
[NK5EPC1GRY](#) [NK5EPC4Y](#) [NK5EPC6YLY](#) [NK5EPC8BLY](#) [NK5EPC9YLY](#) [1969343-6](#) [C501100010](#) [C501106002](#) [C501106007](#)
[C501106015](#) [C501106025](#) [C601102010](#) [C601104010](#) [C601106007](#) [C601106015](#) [2142758-2](#) [2168427-2](#) [CAT1106007](#) [SR02P0-26E5-15.0](#)
[SR02S0-26E5-15.0](#) [21949-1](#) [2J1866A](#) [RJF SFTP 5E 0500](#) [AX100351](#) [MN14CEC/ST](#) [C501100015](#) [C501106004](#) [C501106010](#) [C5F1108007](#)
[C601104004](#) [C601106004](#) [CA21106004](#) [CA21106010](#)