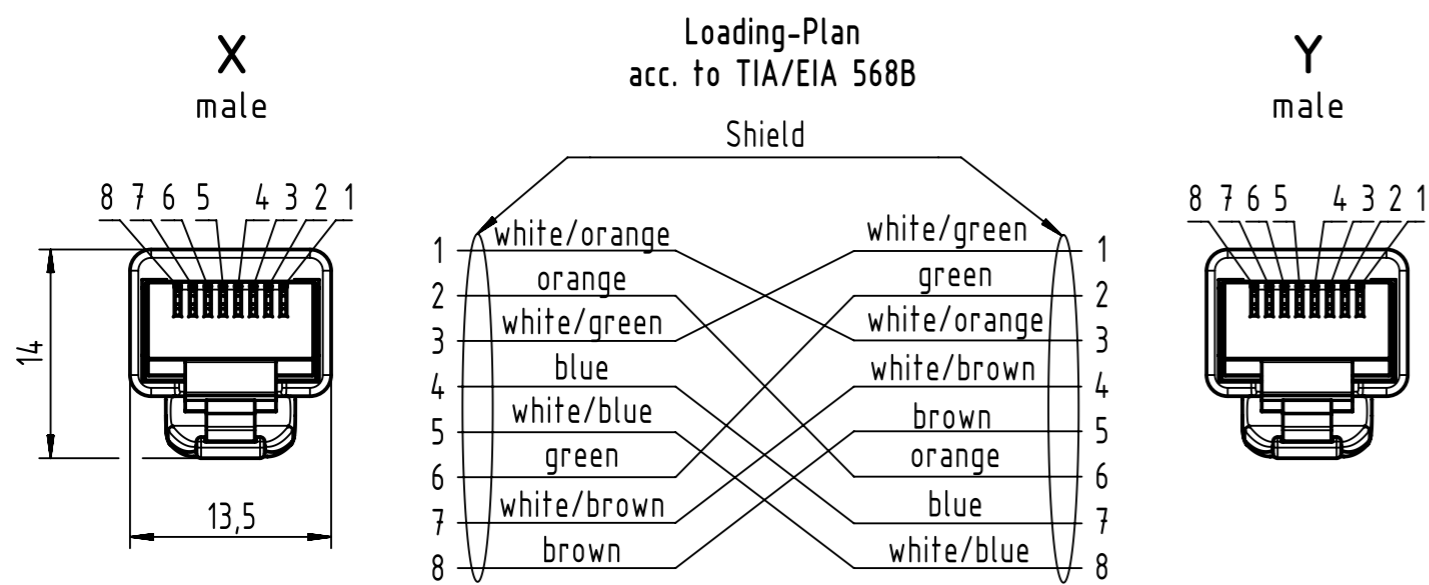
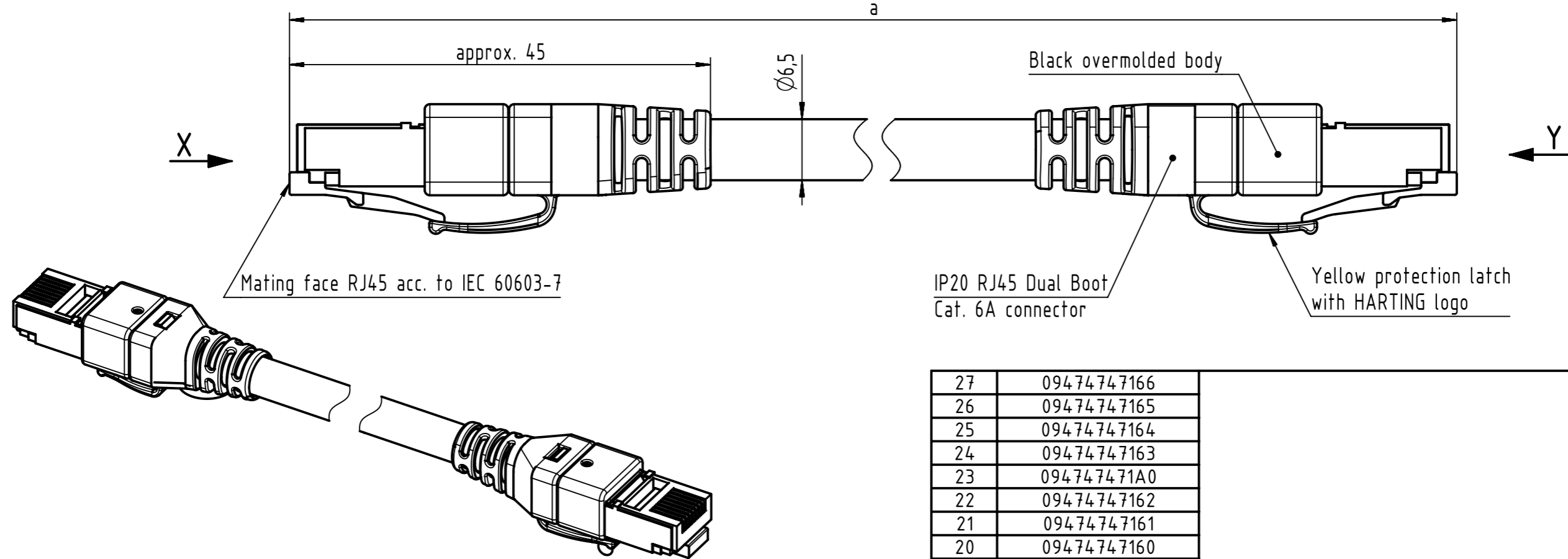


Connector Location A

Connector Location B



**Temperature range:**  
 - Fixed installation: -30°C ...+75°C  
 - Dynamic installation: -5°C ...+50°C

**NOTE:**  
 For lengths < 1.0m:  
 - relative positioning of the connectors to each other will be as presented in the drawing, however with an admissible angular deviation around cable axis of ± 30°  
 For lengths ≥ 1.0m:  
 -relative positioning of the connectors to each other not obligatory

27	09474747166	4x2xAWG27/7, S/FTP, PUR, Cat.7, yellow	50	±1%
26	09474747165		40	
25	09474747164		30	
24	09474747163		20	
23	094747471A0		18	
22	09474747162		15	
21	09474747161		10	
20	09474747160		9	
19	09474747159		8	
18	09474747158		7.5	
17	09474747157		7	
16	09474747156		6	
15	09474747155		5	
14	09474747154		4	+0.04
13	09474747153		3	
12	09474747152		2.5	
11	09474747151		2	
10	09474747150		1.5	
9	09474747149		1	
8	09474747148		0.9	
7	09474747147		0.8	
6	09474747146		0.7	
5	09474747145		0.6	
4	09474747144		0.5	+0.02
3	09474747143		0.4	
2	09474747142		0.3	
1	09474747141		0.2	
Cont. no.	Part no.	Type of cable	Dim. a[m]	

	All rights reserved	Created by COSTEA	Inspected by MUNTEANV	Standardisation AVRAM	Date 2017-07-03	State Final Release
	Department HCS - RO	Title RJ Industrial Cable Assembly		Doc-Key / ECM-Nr. 100170398/UGD/022/D 500000121358		
HARTING Customised Solutions D-32427 Minden		Type TB	Number 09474747XXX		Rev. D	Page 1/1

## X-ON Electronics

Largest Supplier of Electrical and Electronic Components

*Click to view similar products for [Ethernet Cables / Networking Cables](#) category:*

*Click to view products by [HARTING](#) manufacturer:*

Other Similar products are found below :

[73-6670-7](#) [73-6680-15](#) [73-7797-25](#) [MCJB2-10P6Q7-120](#) [84909-0204](#) [1200700174](#) [1200860368](#) [E16A06002M030](#) [E200102-009-S1](#)  
[AX105346-EW](#) [MT14-187L](#) [17-103530](#) [ERWPAB3002M005](#) [190-038045-01](#) [NK5EPC18RDY](#) [NK5EPC18VLY](#) [NK5EPC18YLY](#)  
[NK5EPC1GRY](#) [NK5EPC4Y](#) [NK5EPC6YLY](#) [NK5EPC8BLY](#) [NK5EPC9YLY](#) [1969343-6](#) [C501100010](#) [C501106002](#) [C501106007](#)  
[C501106015](#) [C501106025](#) [C601102010](#) [C601104010](#) [C601106007](#) [C601106015](#) [2142758-2](#) [2168427-2](#) [CAT1106007](#) [SR02P0-26E5-15.0](#)  
[SR02S0-26E5-15.0](#) [21949-1](#) [2J1866A](#) [RJF SFTP 5E 0500](#) [AX100351](#) [MN14CEC/ST](#) [C501100015](#) [C501106004](#) [C501106010](#) [C5F1108007](#)  
[C601104004](#) [C601106004](#) [CA21106004](#) [CA21106010](#)