

5

4

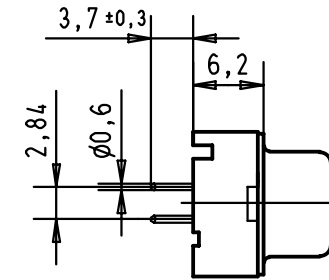
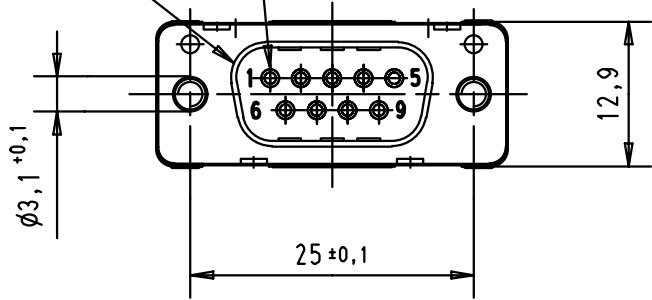
3

2

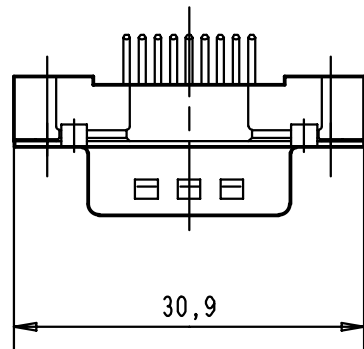
1

Mating face according to MIL-C-24308 / DIN 41 652 / CECC 75301-802

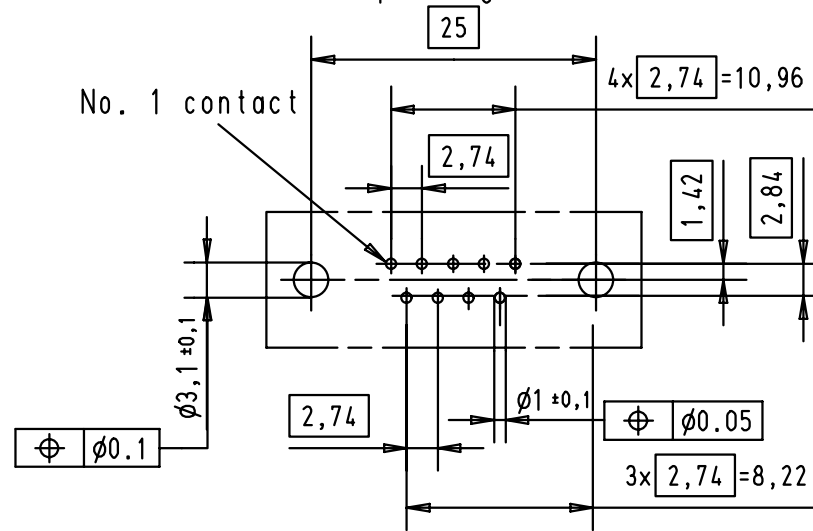
No. 1 contact



Printed board layout (1,6 ± 0,2 thick)
View component side
(PCB plating = Tin)



No. 1 contact

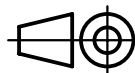



D

C

B

A

09 66 121 6701	M3	2							 All Dim. in mm Orig. Size DIN A 4	D-Sub male straight 9 poles with solder pins and nuts	Maßstab/ Scale 1,5:1
09 66 121 7701	M3	3				Detail.	8-NOV-01	JB			
09 66 121 5701	M3	0,76 µm Au				Insp.					
09 66 121 6702	4-40 UNC	2				Stand.					
09 66 121 7702	4-40 UNC	3				HARTING EURL F-95972 Paris			 TB 09 66 121 X70X Sub.	Blatt/ Page 1	
09 66 121 5702	4-40 UNC	0,76 µm Au	29737	8-NOV-01	JB						
Part number	nut thread	Performance level	Mod.	Dat.	Name						

Note: Obligatory information about HARTING products can be obtained exclusively from the data sheets.

Inquiry

The data sheet is up to date

2D files

PDF

DXF

© Copyright 1999-2003 Harting KGaA and its licensors - Any suggestions and bug reports are welcome at: HARKIS@harting.com

Note: Obligatory information about HARTING products can be obtained exclusively from the data sheets.

Inquiry

The data sheet is up to date

2D files

PDF

DXF

© Copyright 1999-2003 Harting KGaA and its licensors - Any suggestions and bug reports are welcome at: HARKIS@harting.com

Note: Obligatory information about HARTING products can be obtained exclusively from the data sheets.



Data sheets are available in following formats

2D files

Typenblatt

Typenblatt

© Copyright 1999-2003 Harting KGaA and its licensors - Any suggestions and bug reports are welcome at: HARKIS@harting.com

Note: Obligatory information about HARTING products can be obtained exclusively from the data sheets.

Inquiry

The data sheet is up to date

2D files

PDF

DXF

© Copyright 1999-2003 Harting KGaA and its licensors - Any suggestions and bug reports are welcome at: HARKIS@harting.com

Note: Obligatory information about HARTING products can be obtained exclusively from the data sheets.

Inquiry

The data sheet is up to date

2D files

PDF

DXF

© Copyright 1999-2003 Harting KGaA and its licensors - Any suggestions and bug reports are welcome at: HARKIS@harting.com

Note: Obligatory information about HARTING products can be obtained exclusively from the data sheets.

Inquiry

The data sheet is up to date

2D files

PDF

DXF

© Copyright 1999-2003 Harting KGaA and its licensors - Any suggestions and bug reports are welcome at: HARKIS@harting.com

X-ON Electronics

Largest Supplier of Electrical and Electronic Components

Click to view similar products for [D-Sub Standard Connectors](#) category:

Click to view products by [HARTING](#) manufacturer:

Other Similar products are found below :

[56F706-005-LI](#) [56F711-015](#) [012-9507-004](#) [LV242999-142T12](#) [015-0341-000](#) [015-0372-005](#) [015-0372-008](#) [015-8755-001](#) [020419-0104](#)
[012-0467-000](#) [012-9507-034](#) [012-9507-114](#) [020745-0008](#) [609-25P](#) [CT2-18-11PCAU](#) [CT6-10SL-3SC](#) [CT6-10SL-4SC](#) [CT6-14S-2SC](#)
[CT6E14SA7SC](#) [CT6N10SL-4SSA34](#) [M83513/01-FC](#) [M83723/76W24619 L/C](#) [M85049/48-3-2F](#) [6STD09PCM99B70X](#) [6STD09SCM99B30X](#)
[6STD09SCT99S40X](#) [6STD15PCT99S40X](#) [6STD15SCT99S40X](#) [6STF09PCM05B70X](#) [7-135760-9](#) [MC11E-10-6SN](#) [747552-3](#) [MD1-21PS](#)
[MDM-15SCBRM7-F222](#) [MDM96517-699](#) [MDM96521-744](#) [MDVB1-21SL1](#) [MIK0-1-7SH003](#) [MIKQ6-7SH076](#) [MIKQ7-7PH077](#) [MIKQ7-](#)
[7PH11](#) [MIKQ7-7PH32](#) [MJSV-28SL61](#) [MKJ4A1F14-55S](#) [8-135760-3](#) [8STD09PCM99B30X](#) [PG-KV/PV-16-GROM-SEALING](#) [GDA15P](#)
[GDAY15PB](#) [980-0000-170](#)