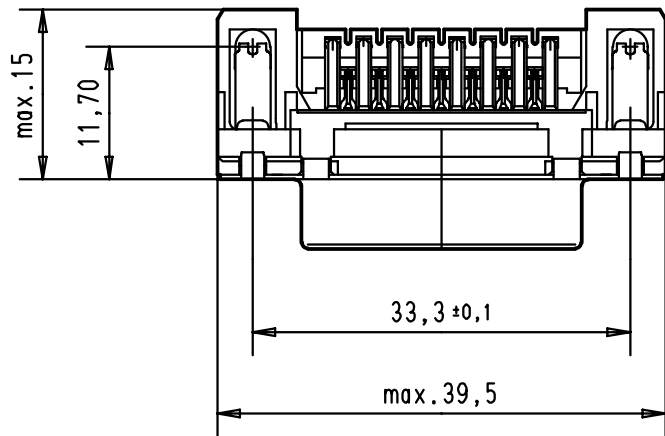
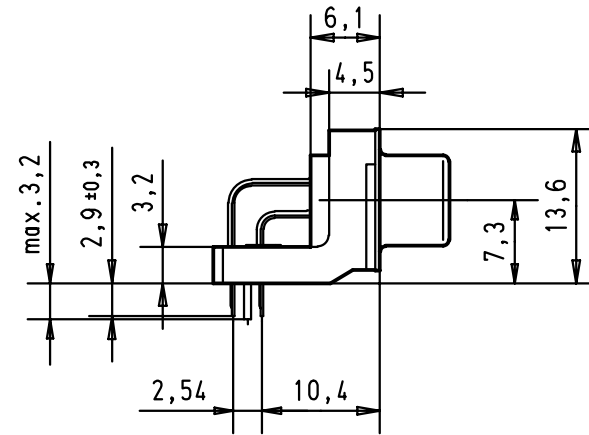
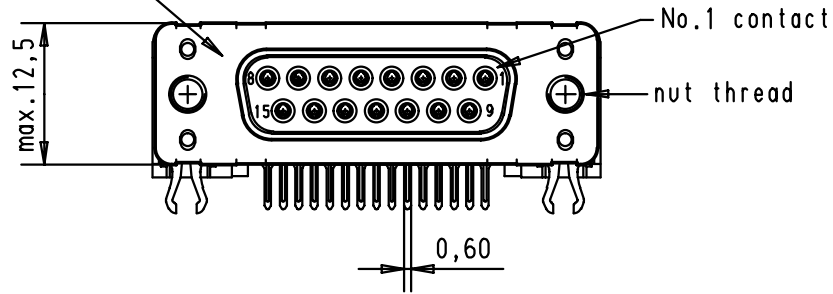
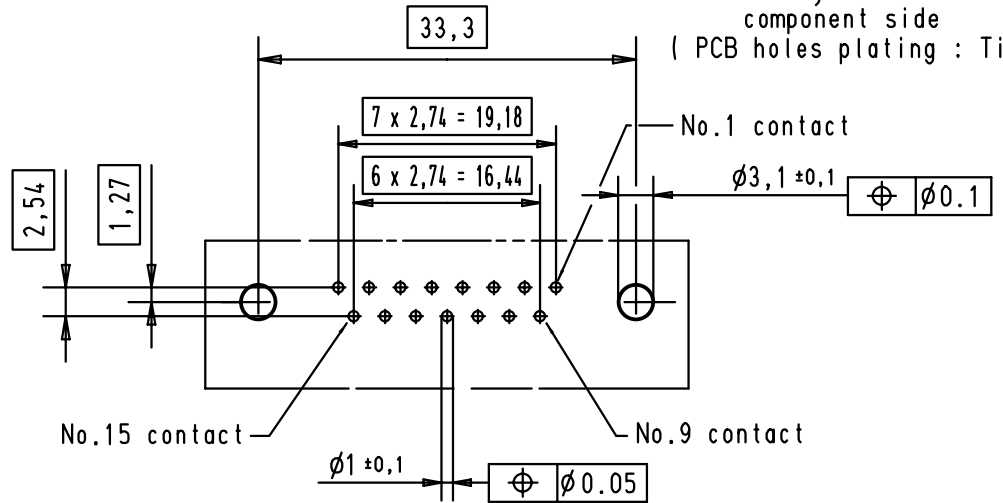


5 4 3 2 1

Mating face according to : MIL-C-24308 / DIN 41652 / CECC 75301-802

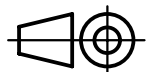



PCB layout hole component side (PCB holes plating : Tin)



Connector retention and insertion forces on the PCB = 25 / 80 newtons

A

09 66 252 6611	M 3	2								 All Dim. in mm Orig. Size DIN A 4	D-Sub 15 poles standard angle female, solder pin with nut and grounding board lock.	Maßstab/ Scale 1.5:1
09 66 252 7611	M 3	3				Detail.	05/dec/00	ALSPACE				
09 66 252 5611	M 3	0.76 µm Au				Insp.						
09 66 252 6612	4-40 UNC	2				Stand.						
09 66 252 7612	4-40 UNC	3				HARTING EURL F-95972 Paris				TB 0966252x61x	Blatt/ Page 5 / 6	
09 66 252 5612	4-40 UNC	0.76 µm Au	27960	05/dec/00	ALSPACE	Sub.						
Part number	Nut thread	Performance level	Mod.	Dat.	Name							

Performance level

Performance level S4

Material

PBTP

Note: Obligatory information about HARTING products can be obtained exclusively from the data sheets.

[Inquiry](#)

The data sheet is up to date

2D files

[PDF](#)

[DXF](#)

© Copyright 1999-2003 Harting KGaA and its licensors - Any suggestions and bug reports are welcome at: HARKIS@harting.com

Performance level

Performance level S4

Material

PBTP

Note: Obligatory information about HARTING products can be obtained exclusively from the data sheets.



Data sheets are available in following formats

2D files

Typenblatt

Typenblatt

© Copyright 1999-2003 Harting KGaA and its licensors - Any suggestions and bug reports are welcome at: HARKIS@harting.com

Performance level

Performance level 2

Material

PBTP

Note: Obligatory information about HARTING products can be obtained exclusively from the data sheets.

[Inquiry](#)

The data sheet is up to date

2D files

[PDF](#)

[DXF](#)

© Copyright 1999-2003 Harting KGaA and its licensors - Any suggestions and bug reports are welcome at: HARKIS@harting.com

Performance level

Performance level 2

Material

PBTP

Note: Obligatory information about HARTING products can be obtained exclusively from the data sheets.

[Inquiry](#)

The data sheet is up to date

2D files

[PDF](#)

[DXF](#)

© Copyright 1999-2003 Harting KGaA and its licensors - Any suggestions and bug reports are welcome at: HARKIS@harting.com

Performance level

Performance level 3

Material

PBTP

Note: Obligatory information about HARTING products can be obtained exclusively from the data sheets.

[Inquiry](#)

The data sheet is up to date

2D files

[PDF](#)

[DXF](#)

© Copyright 1999-2003 Harting KGaA and its licensors - Any suggestions and bug reports are welcome at: HARKIS@harting.com

Performance level

Performance level 3

Material

PBTP

Note: Obligatory information about HARTING products can be obtained exclusively from the data sheets.

[Inquiry](#)

The data sheet is up to date

2D files

[PDF](#)

[DXF](#)

© Copyright 1999-2003 Harting KGaA and its licensors - Any suggestions and bug reports are welcome at: HARKIS@harting.com

X-ON Electronics

Largest Supplier of Electrical and Electronic Components

Click to view similar products for [D-Sub Standard Connectors](#) category:

Click to view products by [HARTING](#) manufacturer:

Other Similar products are found below :

[56F706-005-LI](#) [56F711-015](#) [LV242999-142T12](#) [015-0341-000](#) [015-0372-005](#) [015-0372-008](#) [015-8755-001](#) [020419-0104](#) [012-0467-000](#)
[012-9507-034](#) [012-9507-114](#) [020745-0008](#) [609-25P](#) [CT2-18-11PCAU](#) [CT6-10SL-3SC](#) [CT6-10SL-4SC](#) [CT6-14S-2SC](#) [CT6E14SA7SC](#)
[CT6N10SL-4SSA34](#) [M83513/01-FC](#) [M83723/76W24619 L/C](#) [M85049/48-3-2F](#) [6STD09PCM99B70X](#) [6STD09SCM99B30X](#)
[6STD09SCT99S40X](#) [6STD15PCT99S40X](#) [6STD15SCT99S40X](#) [6STF09PCM05B70X](#) [7-135760-9](#) [MC11E-10-6SN](#) [747552-3](#) [MD1-21PS](#)
[MDM-15SCBRM7-F222](#) [MDM96517-699](#) [MDM96521-744](#) [MDVB1-21SL1](#) [MIK0-1-7SH003](#) [MIKQ6-7SH076](#) [MIKQ7-7PH077](#) [MIKQ7-](#)
[7PH11](#) [MIKQ7-7PH32](#) [MJSV-28SL61](#) [MKJ4A1F14-55S](#) [8-135760-3](#) [8STD09PCM99B30X](#) [PG-KV/PV-16-GROM-SEALING](#) [GDA15P](#)
[GDAY15PB](#) [980-0000-170](#) [980-0000-171](#)