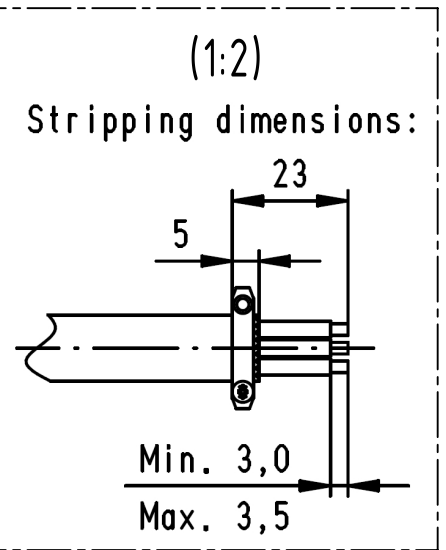
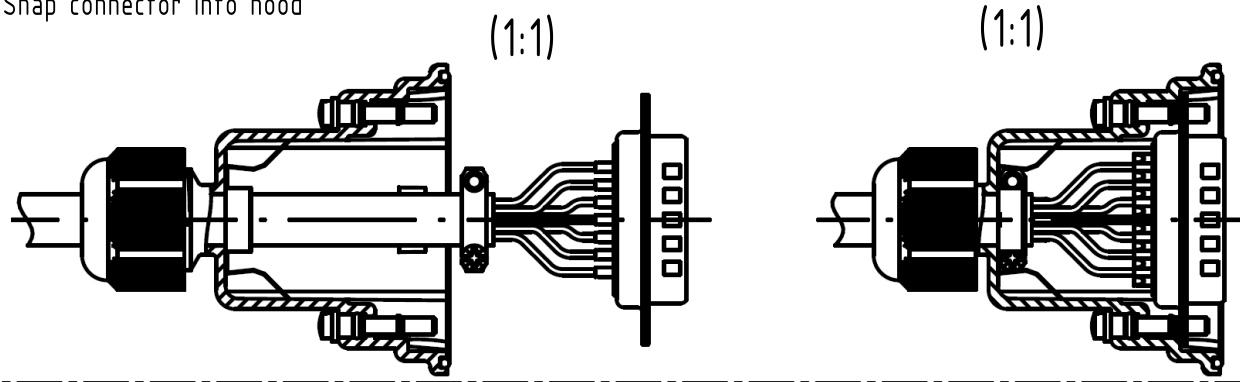
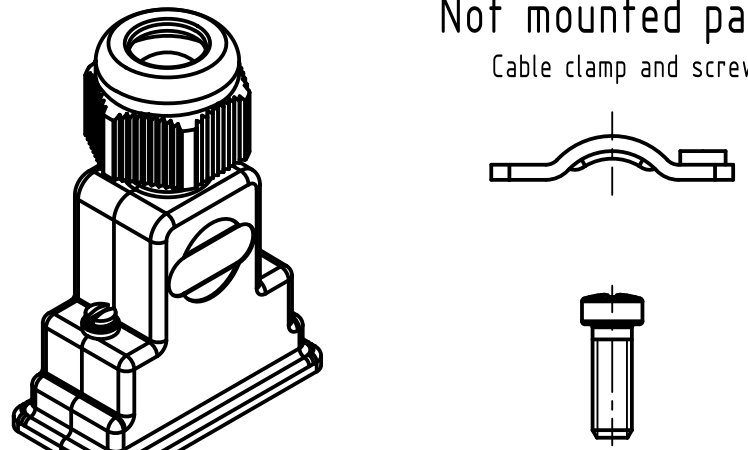


Mounting instructions:
 The peeled back cable braiding must not extend over the cable clamp, in order not to damage the gasket or to impair its performance
 Pull back cable until cable clamp snaps into shielding plate
 Snap connector into hood



Not mounted parts
 Cable clamp and screw



For rear mounted mating connectors, panel thickness is comprised between 1 and 2 for safe contact area
 Max. torques are 0,4 N.m

0967 009 0539	M3
0967 009 0538	4-40 UNC
Part number	Mounting screw thread

	All rights reserved	Scale 2:1	Free size tol.	Ref.	
	Department EC PD - CN	Created by ZHUANGJ	Inspected by LUOK	Standardisation HOFFMANN	Date 2017-07-03
HARTING Electronics GmbH D-32339 Espelkamp		Title D-Sub 9-pole IP67 top entry metallized plastic hood			State Final Release
		Type TB	Number 0967009053X	Doc-Key / ECM-Nr. 100730120/UGD/000/A 500000121522	Rev. A Page 1/1

X-ON Electronics

Largest Supplier of Electrical and Electronic Components

Click to view similar products for [D-Sub Backshells](#) category:

Click to view products by [HARTING](#) manufacturer:

Other Similar products are found below :

[600X51137X](#) [600X54009X](#) [66241-12A](#) [M85049/6-38N](#) [M85049/86-12N03](#) [M85049/90-13P03](#) [70.350.0636.4](#) [70.350.2435.1](#) [72.350.1035.2](#)
[72.352.2435.1](#) [73.359.4035.3](#) [829472-1](#) [PCS-E20W](#) [970-015-040R011](#) [971-009-030R121](#) [971-009-040R011](#) [971-015-040R011](#) [DPH-B-003](#)
[1437013-9](#) [1484402-8](#) [156-3025-EX](#) [16-500800](#) [165X02659X](#) [165X03399A](#) [165X10259X](#) [165X11359X](#) [165X11689X](#) [165X11759X](#)
[165X11889X](#) [165X11899X](#) [165X13019X](#) [165X13029X](#) [165X13169X](#) [165X13199X](#) [165X13239X](#) [165X13389X](#) [165X13489X](#)
[165X14219X](#) [165X14429X](#) [165X14449X](#) [165X17409X](#) [165X17439X](#) [165X17569X](#) [165X17599X](#) [165X17609X](#) [165X17979X](#) [L171373](#)
[971-025-030R121](#) [300X10989X](#) [165X02609X](#)