

Technical characteristics

Han-Modular® SP SO CM4

Nominal voltage(U_N)*	24 V
Max. continuous operating voltage (d.c.) (U_C)*	33 V
Max. continuous operating a.c. voltage (U_C)	23 V
Nominal current at 70 °C (I_L)	0.5 A
Impulse Category	D1, C1, C2, C3
D1 Lightning impulse current (10/350 μ s) per line (I_{imp})	1 kA
C1, C2 Total nominal discharge current (8/20 μ s) (I_n)	20 kA
C1, C2 Nominal discharge current (8/20 μ s) per line (I_n)	5 kA
Voltage protection level line-line for I_n C2 (U_p)	≤ 95 V
Voltage protection level line-PG for I_n C2 (U_p)	≤ 55 V
Voltage protection level line-line for 1kV / μ s C3 (U_p)	< 90 V
Voltage protection level line-PG for 1kV / μ s C3 (U_p)	< 45 V
Series impedance per line	1.8 Ohm
Cut-off frequency line-PG (f_G) / 50 Ohm	5.5 MHz
Capacitance line-line (C)	< 0.5 nF
Capacitance line-PG (C)	< 1.0 nF
Operating temperature range (T_U)*	-40 °C ... +85 °C
Degree of protection*	IP20
Dimensions	34.2x54.9x14.65 mm (WxLxH)
Wire connection method*	Push In
Pluggabel into*	Plug module SP PL CM4
Enclosure Material*	Polycarbonate
Cross-sectional area, solid*	AWG 24 - 16; 0.2 mm ² - 1.5 mm ²
Cross-sectional area, flexible*	AWG 24 - 16; 0.2 mm ² - 1.5 mm ² (without ferrule)
Stripping length*	min. 8 mm
Mounting*	Han-Modular® Hinged Frame
Colour*	RAL 7032
Test standards	IEC 61643-21 / EN 61643-21
UL approval/ flammability class.*	UL497B / UL94 V-0
Shock and vibration*	IEC 60068-2-6 / IEC 60068-2-29
Equipotential bonding	via earthed hinged frame (≥ 6 mm ² / \leq AWG 10)

Specifications and approvals

Compliant with UL 497 B





Common mode-4 channels

Features

- Surge protection for four single lines
- Protects signals with common ground
- Fits in Han® Modular connector system
- Nominal voltage: 24VDC
- Nominal current: 0.5A

General description

The surge protection module protects up to 4 single lines with common reference potential and unbalanced interfaces against lightning strikes or overvoltages.

Preferred field of application is the protection of digital control signals up to max. 24VDC with a max load of 0.5A/line. The equipotential bonding will be led via the earthed hinged frame of the Han-Modular® system.

Identification

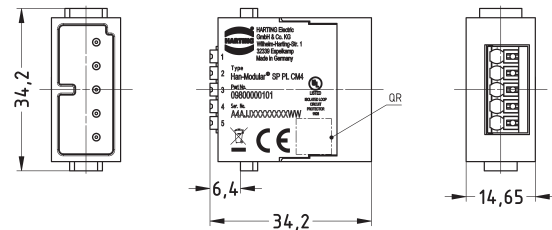
Part number

Drawing

Dimensions in mm

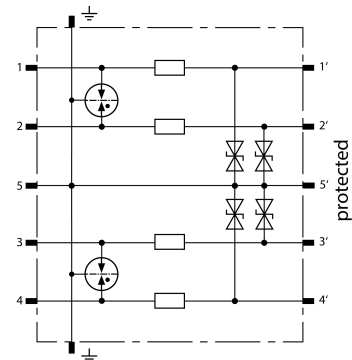
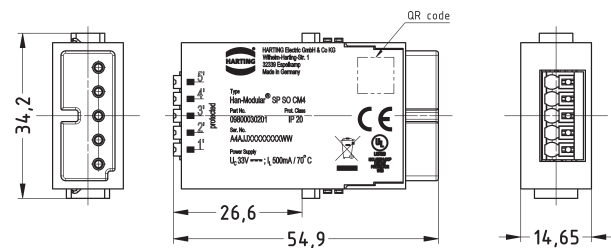
Han-Modular® SP PL CM4, male

09 80 000 0101



Han-Modular® SP SO CM4, female

09 80 003 0201



Basic circuit diagram

X-ON Electronics

Largest Supplier of Electrical and Electronic Components

Click to view similar products for [Surge Suppressors](#) category:

Click to view products by [HARTING](#) manufacturer:

Other Similar products are found below :

[GUS1](#) [GUS12](#) [BSPM1A600D600LVR](#) [29-2053](#) [GUS11](#) [GUS2](#) [GUS3](#) [GUS4](#) [30460](#) [SRA64C060X](#) [PC642C015](#) [1810-15-A3](#) [2713175](#)
[4B06B-EC1-150LF](#) [SRA6LC](#) [BPMA75D100LV](#) [CX06M](#) [CCTV1](#) [GUS13](#) [GUS14](#) [GUS5](#) [GUS6](#) [LP-GTR-NFF](#) [LP-BFDN-CW](#) [LP-STRL-](#)
[NFF](#) [LP-STRL-DFF](#) [GUS22](#) [0804111](#) [5053609](#) [5053201](#) [SPD2-150-1P0](#) [SPD2-550-1P0](#) [6720005416](#) [6720005417](#) [1-2191595-2](#) [STC-](#)
[CAT6-P0E-I](#) [SPD2-350-1P0](#) [SMTPA200](#) [2800989](#) [2906776](#) [2906810](#) [2906847](#) [2906848](#) [2906851](#) [2910332](#) [2910330](#) [2910331](#) [2910333](#)
[LTC4367CMS8-1#PBF](#) [LT4356CS-1#PBF](#)