

Technical Characteristics

Part Number

Han 10A Kit

| | |
|-----------------------|-----------------------|
| Hood | Side Entry |
| Housing | Single Lever Bulkhead |
| Hood/Housing Material | Die Cast Aluminum |
| IP / NEMA | IP65 / 4, 4x, 12 |
| Temp Rating | -40 to +125C |
| Cable Gland | M20 Metal |
| Cable Diameter | 5-9mm / 6-12mm |
| Insert | Han 10A, 10+GND |
| Screw Terminals | 18-14AWG |
| Wire Strip Length | 7.5mm |
| Mating Cycles | > 500 |
| Flammability | V-0 |

10 20 010 0000

UL508

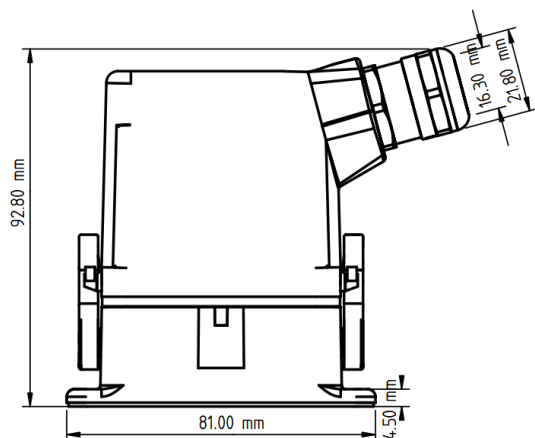


Electrical Characteristics

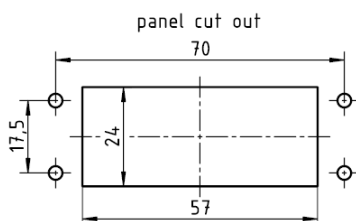
| | |
|-----------------------|---------|
| Rated Current | 16amps |
| Rated Voltage | 600V UL |
| Rated Impulse Voltage | 4kV |

Drawings and Assembly Information

Dimensions in mm



| Tooling and Torque Values | | |
|----------------------------------|-----------------------------|-------------|
| Type | Tool | Torque (Nm) |
| Terminal Screws (M3) | PH1 or Slotted 0.6 x 3.5 | 0.50 |
| Fixing Screw (M3) | PH1 or Slotted 0.6 x 3.5 | 0.50 |
| Mounting Screws (M3 recommended) | - | 0.8...1.0 |
| Cable Gland (M20) | SW 22 | 10 |



| Kit Contents | |
|---------------|----------------|
| Male Insert | 09 20 010 2612 |
| Female insert | 09 20 010 2812 |
| Housing | 09 20 010 0301 |
| Hood | 19 20 010 1540 |
| Cable Gland | 19 00 000 5081 |

X-ON Electronics

Largest Supplier of Electrical and Electronic Components

Click to view similar products for [Heavy Duty Power Connectors](#) category:

Click to view products by [HARTING](#) manufacturer:

Other Similar products are found below :

[647757-1](#) [6643411-1](#) [6646058-2](#) [6646137-1](#) [6646138-1](#) [6646479-1](#) [6646608-1](#) [6646786-1](#) [6646940-1](#) [6651091-1](#) [6651525-1](#) [6651529-1](#)
[6651788-1](#) [696475-1](#) [73000005059](#) [73000005642](#) [765-15-0080A](#) [765-16-0080B](#) [829992-1](#) [902-77-02113](#) [129-1J](#) [AN0024023](#) [E6374G1](#)
[e6389g2](#) [157-43GW8](#) [MS3117-14AC](#) [1643543-1](#) [1650540-1](#) [1651811-2](#) [1766260-1](#) [1766282-1](#) [1766966-1](#) [1791340000](#) [NLDFT-3-BL-L-](#)
[S120-M40A](#) [NLDFT-N-W-L-C240-M40B](#) [NLS-2-R-C240-M40B](#) [NLS-N-W-C240-M40B](#) [NPS-3-BL-T6](#) [1986615-1](#) [2-1589900-8](#) [2199314-1](#)
[KA8102](#) [9300480317](#) [SBS50BRN#6](#) [29131](#) [29652](#) [1646905-1](#) [1648320-1](#) [1648582-1](#) [1650195-2](#)