



# Micro Card Edge connector, straight, 40+100 poles



### General information

Design	Highspeed mezzanine connector	
No. of contacts	40 poles or 100 poles	
Contact spacing	0,8 mm	
Test voltage	600 V	
Insulation resistance	100 poles: 1,5x10 <sup>10</sup> Ohm min.	40 poles: 5x10 <sup>10</sup> Ohm min.
Working current	1,9 A@80°C (see derating diagram)	
Temperature range	-55°C ... +125°C	
Termination technology	SMT	
Reflow processing temperature	min. 150 s > 217°C or min. 30 s > 240°C	(acc. to ECA/IPC/JEDEC J-STD-075 Level PSL R0)
Clearance & creepage distance	Clearance 0,6 mm	Creepage 0,7 mm
Insertion force	100 poles max. 70 N	40 poles max. 25 N
Withdrawal force	100 poles min. 30 N	40 poles min. 12 N
Mating card thickness	1,6±0,1 mm	
Mating cycles	200	
Signaling speed rating @ 3db insertion loss	Single-Ended: 7.0 GHz / 14 Gbps	Differential: 7.0 GHz / 14 Gbps
SI-report	on request	
SPIICE-Modell	on request	
S-parameter	on request	
RoHS compliant	Yes	
Leadfree	Yes	

### Insulator material

Material	LCP (liquid crystalline polymer, glass fiber reinforcement 30%)	
Color	black	
UL classification	UL 94-V0	
Material group acc. IEC 60664-1	IIIa (175 < CTI < 400)	

### Contact material

Contact material	Copper alloy	
Plating termination zone	Sn over Ni	
Plating contact zone	Au over PdNi over Ni	

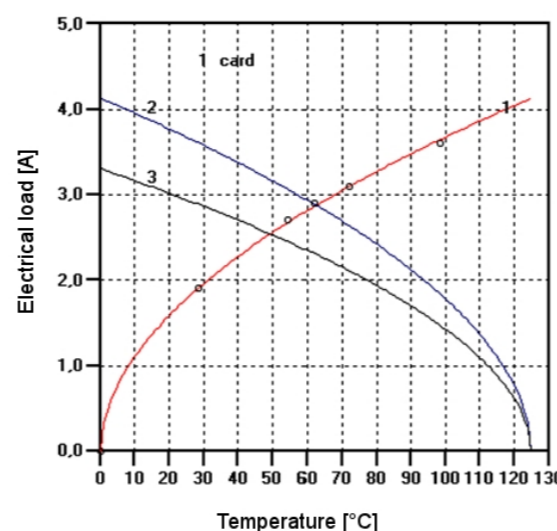
### Derating diagram acc. to IEC 60512-5 (Current carrying capacity)

The current carrying capacity is limited by maximum temperature of materials for inserts and contacts including terminals.

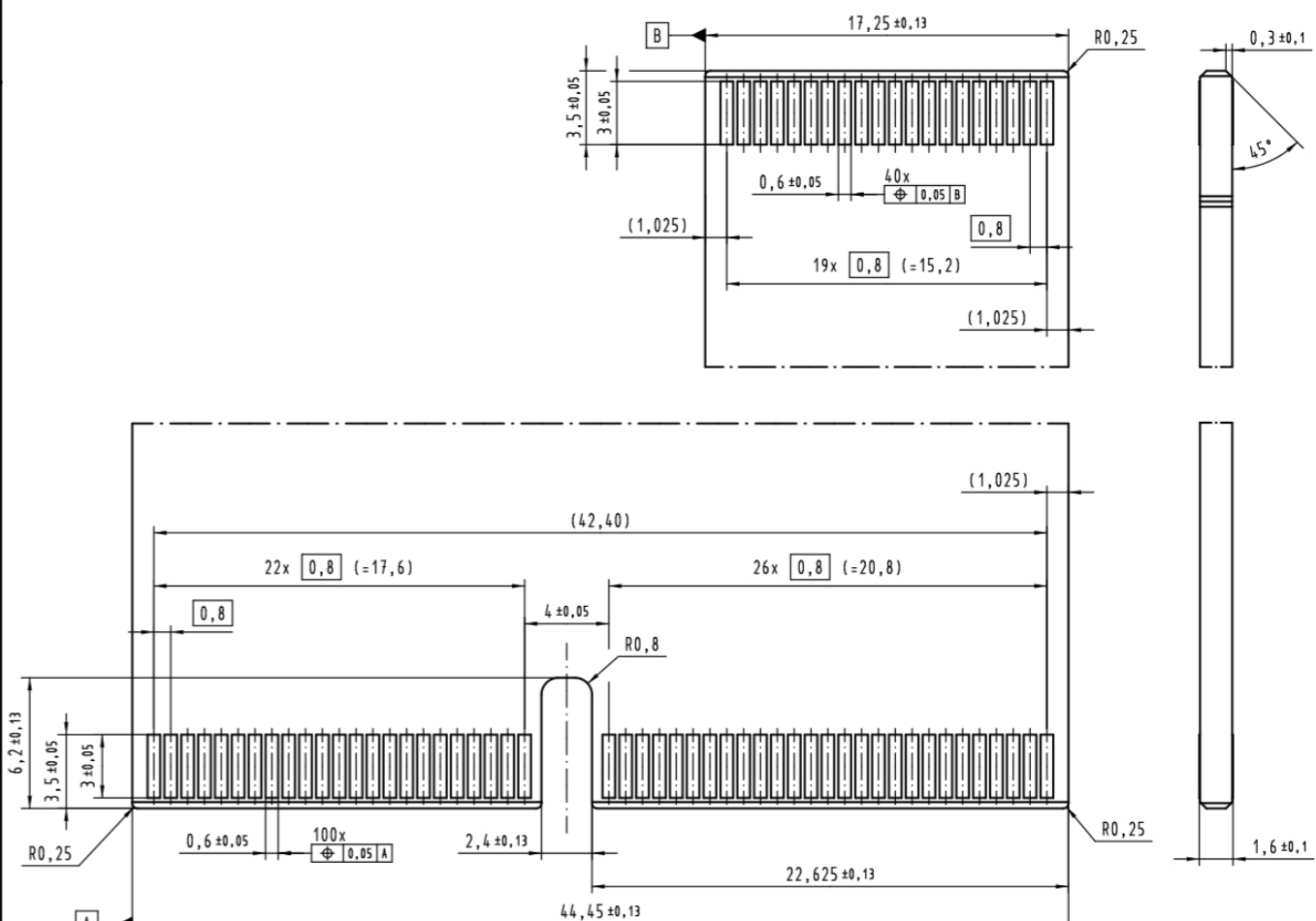
The current capacity curve is valid for continuous, non interrupted current loaded contacts of connectors when simultaneous power on all contacts is given, without exceeding the maximum temperature.

Control and test procedures according to DIN IEC 60512-5

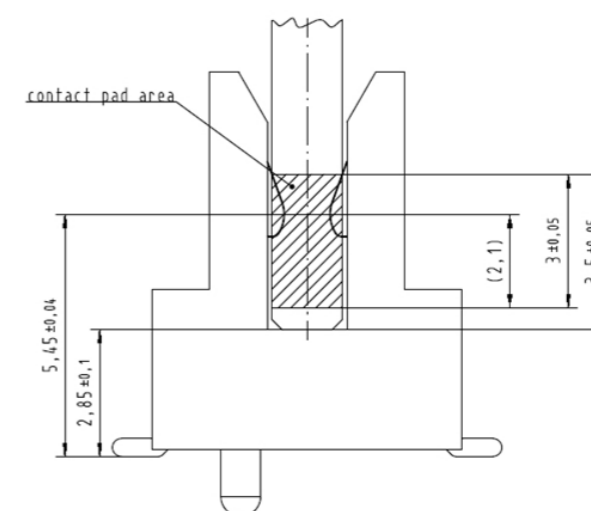
- 1) temperature rise
- 2) derating
- 3) derating curve at I\*0,8 (IEC 512)



### Recommended mating card layout



### Mating conditions



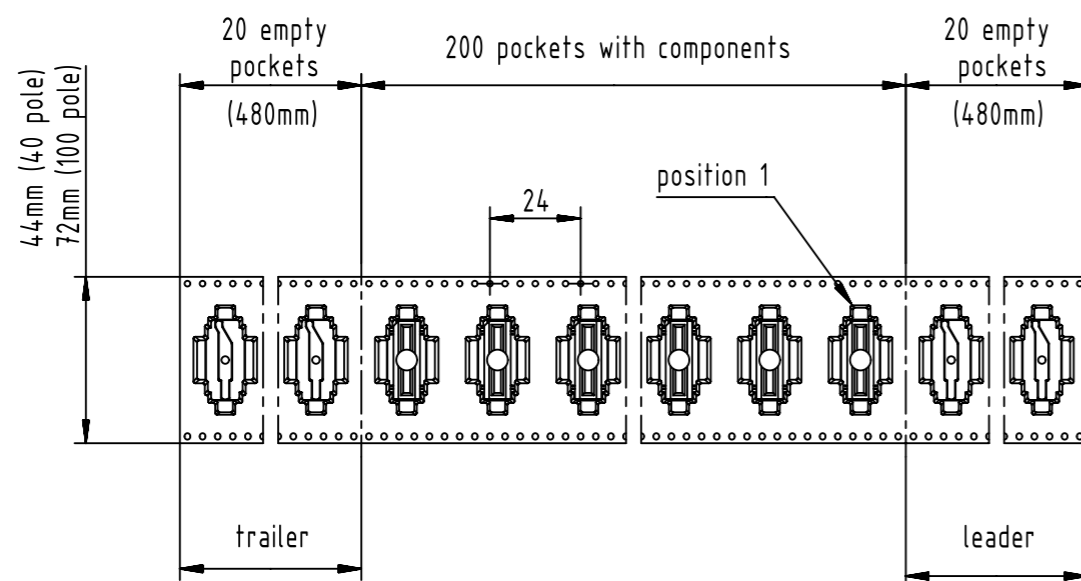
	All rights reserved Department EC PD - DE	All Dimensions in mm Original Size DIN A3	Scale 1:1	Free size tol.	Ref. Sub. DS 15002100301 / 500000064915 / 2013-08-13
	HARTING Electronics GmbH D-32339 Espelkamp	Created by TADJE	Inspected by ELLERMANN	Standardisation HOFFMANN	Date 2015-09-14
Title Micro Card Edge connector, straight, 40+100 poles					State Final Release
Type DS					Number 15002100301
Doc-Key / ECM-Nr. 100545589/UGD/001/B 500000094514					Rev. B
					Page 1/2



# Micro Card Edge connector, straight, 40+100 poles



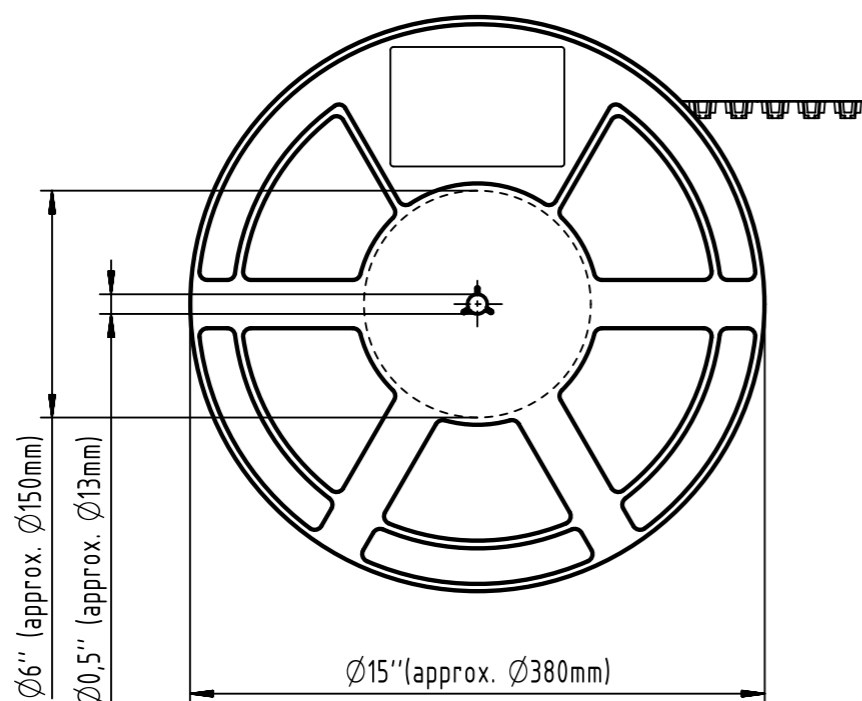
## Tape layout & packaging



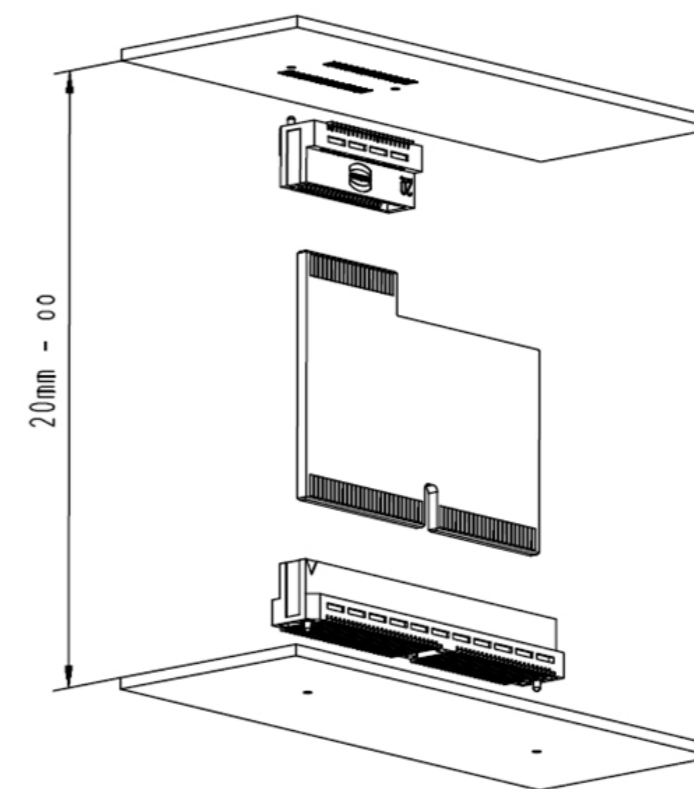
Packaging indices ("XXX" in part no.):

Index	Packaging unit	Packaging
040	9x200	Tape & Reel, 9 reels in one box
042	200	Tape & Reel
333	1	Tape

## Reel dimension



## Application information



	All rights reserved	Created by TADJE	Inspected by ELLERMANN	Standardisation HOFFMANN	Date 2015-09-14	State Final Release
	Department EC PD - DE	Title Micro Card Edge connector, straight, 40+100 poles				Doc-Key / ECM-Nr. 100545589/UGD/001/B 50000094514
HARTING Electronics GmbH D-32339 Espelkamp		Type DS	Number 15002100301		Rev. B	Page 2/2

## X-ON Electronics

Largest Supplier of Electrical and Electronic Components

*Click to view similar products for [Standard Card Edge Connectors](#) category:*

*Click to view products by [HARTING](#) manufacturer:*

Other Similar products are found below :

[CR7E-30DB-3.96E\(72\)](#) [6565204-6](#) [PKC-156](#) [1437274-4](#) [147889-1](#) [1489165-4](#) [EBT15622B2X](#) [1-582587-1](#) [284-0102-12100](#)  
[306022901000000](#) [307-012-502-202](#) [307-056-520-300](#) [245-062-520-350](#) [287-0032-12101](#) [306-028-525-102](#) [307-072-526-202](#) [345-060-559-](#)  
[303](#) [392-008-559-201](#) [534671-1](#) [341-240-317](#) [345-044-500-300](#) [346-240-318](#) [395-100-524-300](#) [09-07-2032](#) [10035388-802LF](#) [10122859-](#)  
[009LF](#) [10127905-B04B24BLF](#) [530555-1](#) [5-678046-1](#) [73726-0005](#) [66308-1](#) [1-1437275-6](#) [PEC-07-02-T-S-A](#) [346-014-520-801](#) [307-048-502-](#)  
[202](#) [CE100F22-9-C](#) [CE100F26-7-C](#) [CE100F28-3-D](#) [CE156F18-9-C](#) [CE156F22-5-D](#) [CE156F22-9-C](#) [CT100F22-2-D](#) [CT100F22-3-D](#)  
[CT100F24-2-D](#) [CT100F24-3-D](#) [CT100F24-6-C](#) [CT156F22-4-D](#) [MLSS100-12-C](#) [MLSS100-16-C](#) [SCC100F-11-C](#)