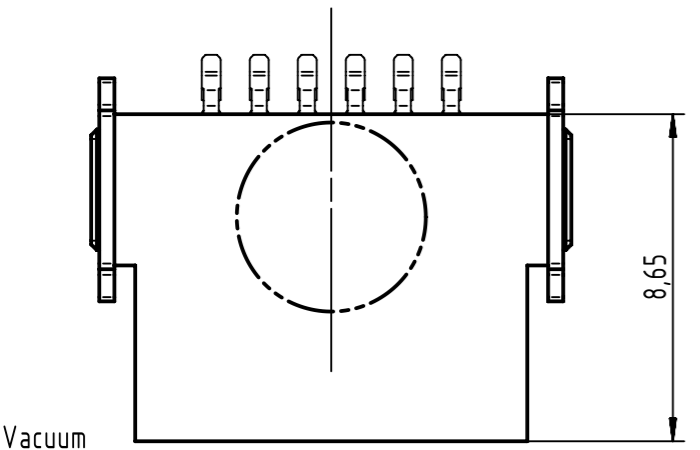
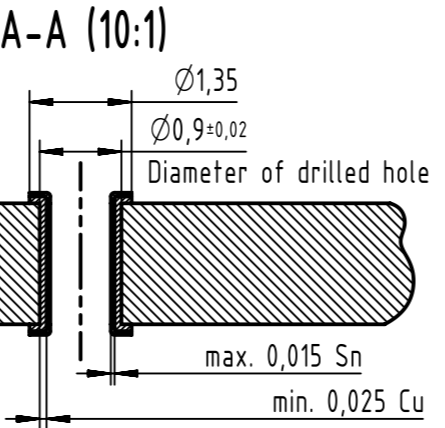
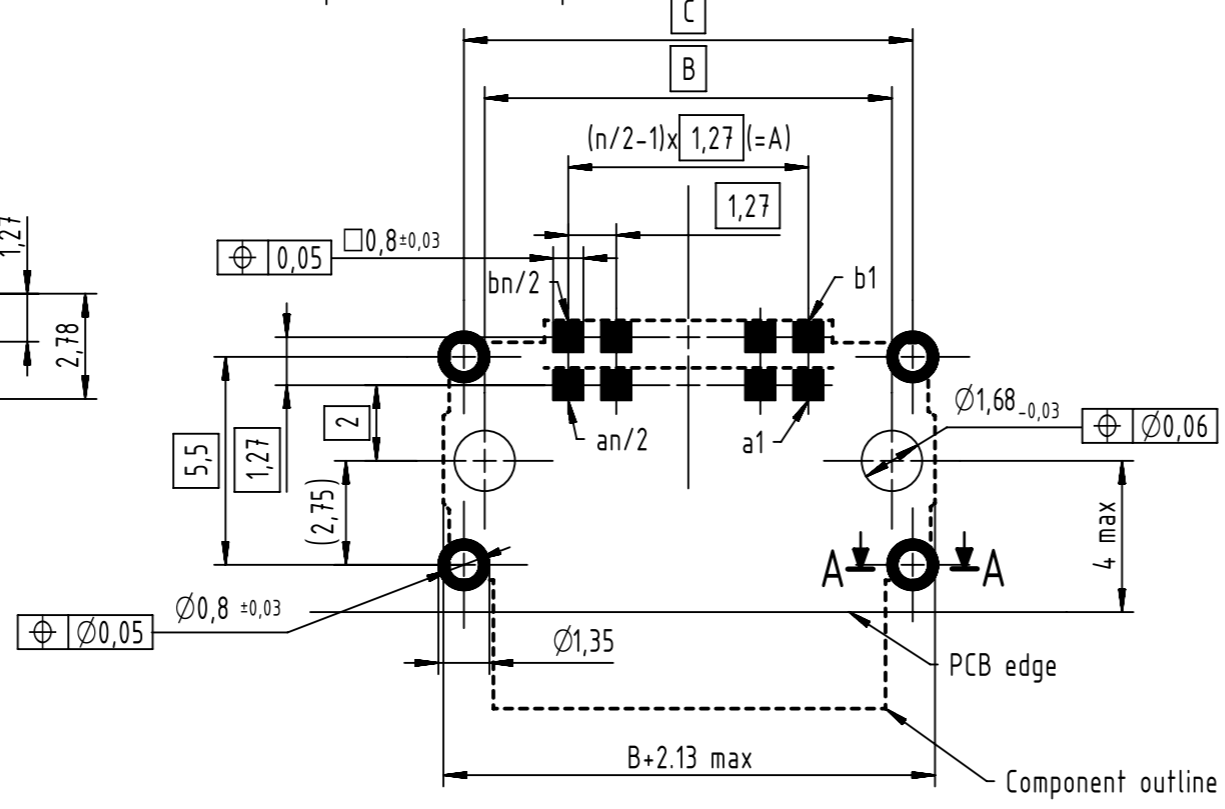
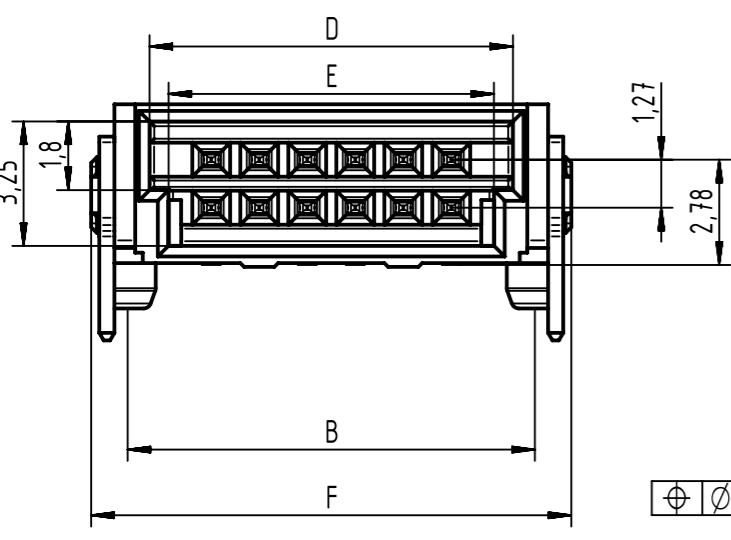
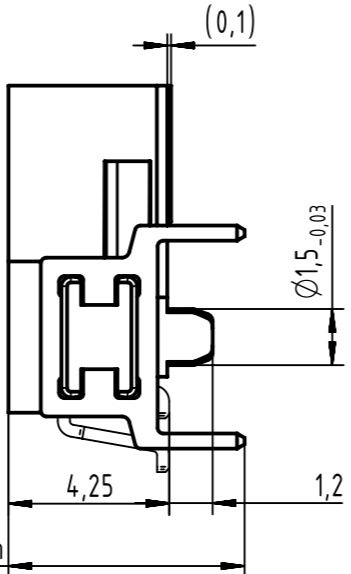
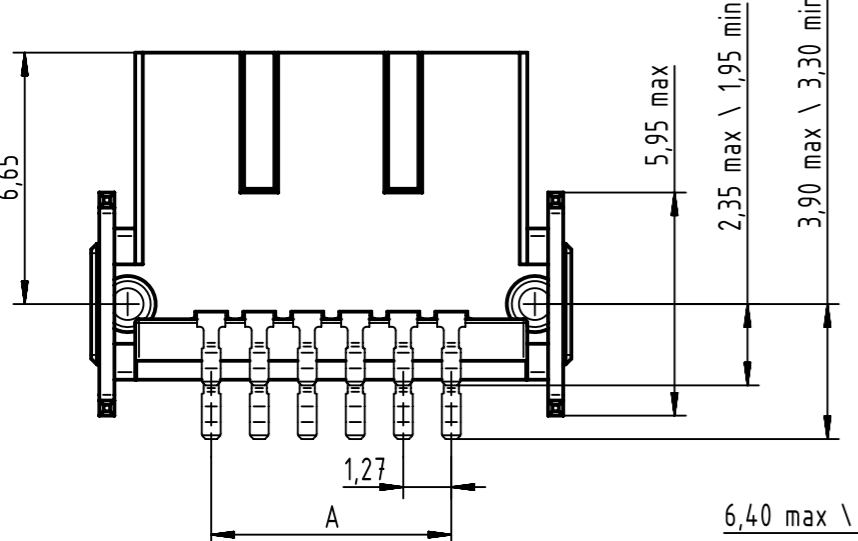
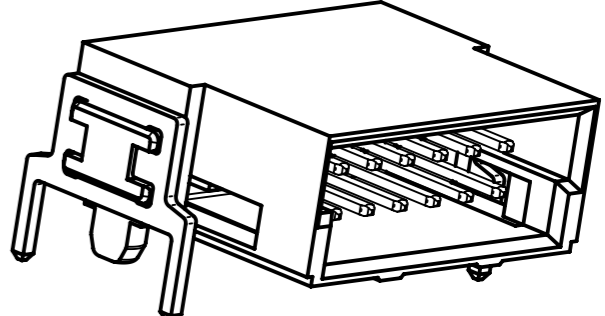
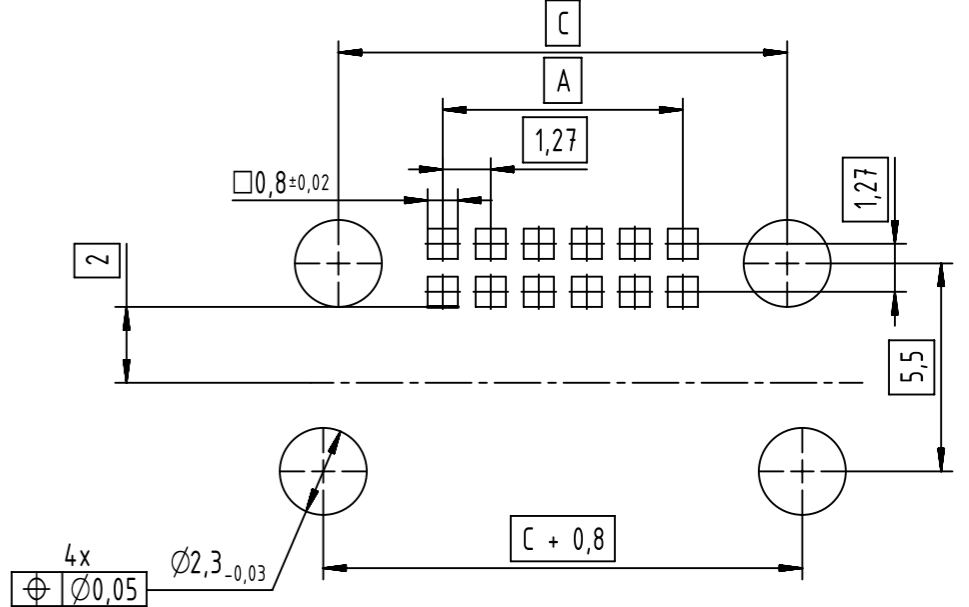


Performance level	
PL1 : >500 mating cycles	2

Packaging	
tape & reel with 440pcs per reel	000
samples	333

Part number	no of contacts	A	B	C	D	E	F
15 15 012 2401xxx	12	6,35	10,77	11,87	9,57	8,57	12,70
15 15 026 2401xxx	26	15,24	19,66	20,76	18,46	17,46	21,59
15 15 080 2401xxx	80	49,53	53,95	55,05	52,75	51,75	55,88
15 15 100 2401xxx	100	62,23	66,65	67,75	65,45	64,45	68,58

Stencil recommendation



Vacuum picking area

Find further technical information on the drawing DS 15151210200

Coating	A=	mm ²	V=	mm ³	m=	g	Mat.
	All Dimensions in mm	Scale	Free size tol.	Ref.			
	Original Size DIN A3	5:1		Sub.			
	All rights reserved	Created by	Inspected by	Standardisation	Date	State	
	Department EC PD - FR	MAILLARDS	DE VANSAY	HOFFMANN	2014-12-17	Final Release	
HARTING Electronics GmbH		Title			Doc-Key / ECM-Nr.		
D-32339 Espelkamp		har-flex THR angled male			100587460/UGD/002/C		
		Type	Number	Rev.		Page	
		TB	1515XXX2401_XXX	C		1/1	

X-ON Electronics

Largest Supplier of Electrical and Electronic Components

Click to view similar products for [Board to Board & Mezzanine Connectors](#) category:

Click to view products by [HARTING](#) manufacturer:

Other Similar products are found below :

[10135583-642402LF](#) [89885-310LF](#) [589158040000018](#) [6-1393048-0](#) [68683-613](#) [MDF7-12DP-2.54DSA](#) [MDF7-18P-2.54DSA\(01\)](#) [MDF7-20DP-2.54DSA](#) [MDF7-26D-2.54DSA\(55\)](#) [MDF7-3P-2.54DSA\(01\)](#) [MDF7B-3P-2.54DSA\(55\)](#) [MDF7C-11P-2.54DSA\(55\)](#) [MDF7C-18P-2.54DSA\(55\)](#) [MDF7C-5P-2.54DSA\(01\)](#) [MDF7P-5P-2.54DSA\(55\)](#) [75234-0516](#) [FCN-230C068-11](#) [FCN-268F012-G/BD](#) [FCN-268F036-G/BD](#) [FCN-268M012-G/0D](#) [FCN-268M024-G/1D](#) [FCN-360C008-C](#) [FCN-360C040-C](#) [FCN-723J004/1](#) [MIS-048-01-F-D-DP-K](#) [832-10-034-10-001000](#) [93696-325LF](#) [11828-1FA](#) [AXK630345P](#) [18097-0013](#) [ICA-328STT](#) [2007042-2](#) [304400-2](#) [FCN-214Q030-G/0](#) [FCN-215Q040-G/0](#) [FCN-230C068-ESA](#) [FCN-234P048-G/0](#) [FCN-235D050-G/C](#) [FCN-360A3](#) [FCN-360C040-B](#) [210-93-314-41-105000](#) [2-22603-0](#) [379-064-521-202](#) [MDF7-12P-2.54DSA\(01\)](#) [MDF7-16P-2.54DS\(56\)](#) [MDF7-40DP-2.54DSA\(55\)](#) [MDF7-8P-2.54DSA\(55\)](#) [MDF7B-16P-2.54DSA\(55\)](#) [AXG720047](#) [5031084030](#)