

Connector Location A

Connector Location B

Ha-VIS preLink terminal block AWG 24-28

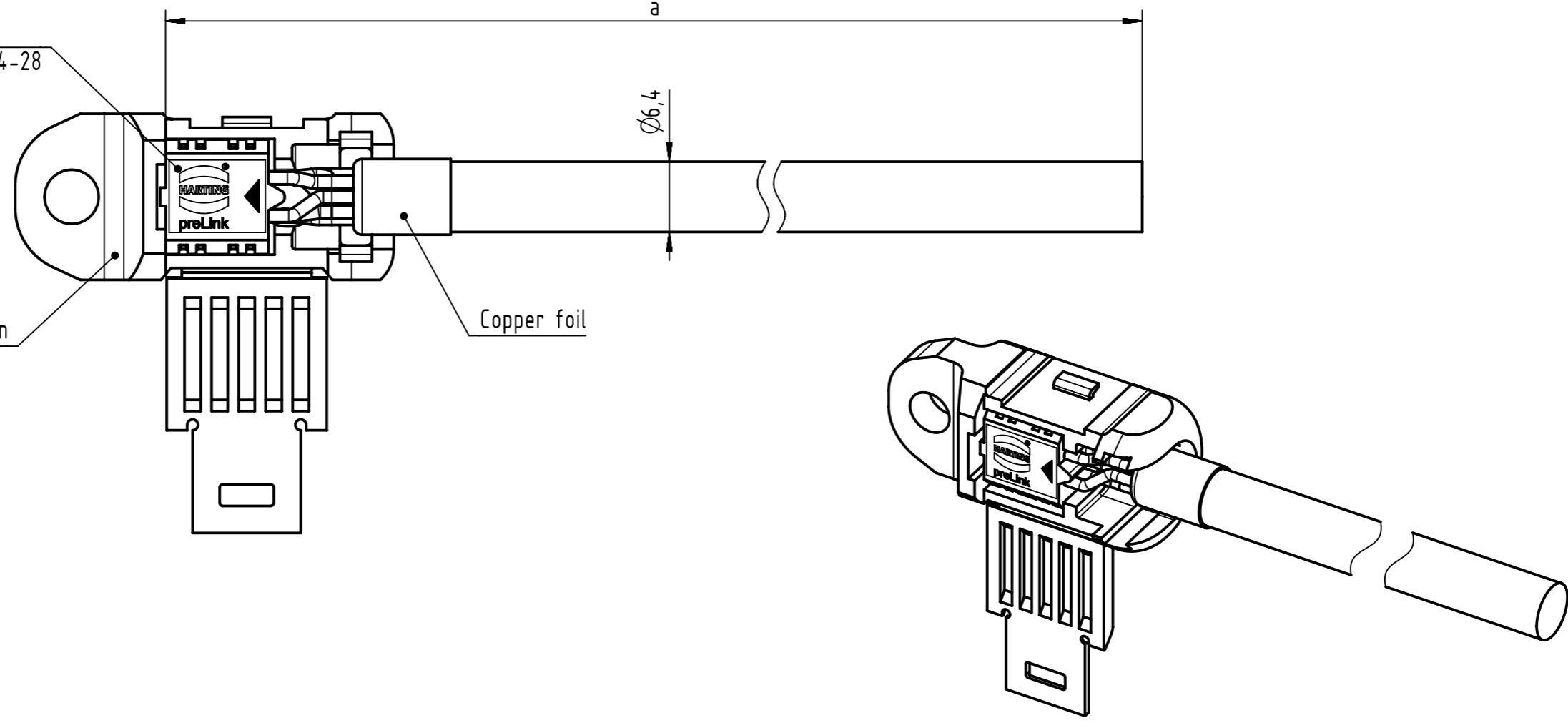
X →

preLink protection cover (closed)

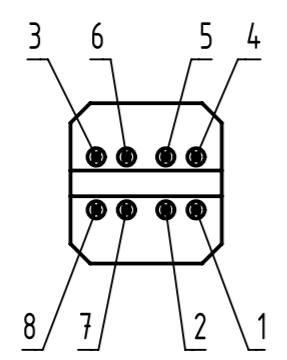
Copper foil

a

∅6,4



X
(without pos. preLink protection cover)



Loading-Plan acc. to TIA/EIA 568B

- Shield
- 1 white/orange
- 2 orange
- 3 white/green
- 4 blue
- 5 white/blue
- 6 green
- 7 white/brown
- 8 brown

- Protection level: IP20
- Temperature range:
 - Fixed installation: -30°C ...+75°C
 - Dynamic installation: -5°C ...+50°C

10	20826001100	4x2xAWG27/7, PUR, Cat. 7, yellow	10
9	20826001050		5
8	20826001040		4
7	20826001030		3
6	20826001020		2
5	20826001010		1
4	20826001008		0.8
3	20826001006		0.6
2	20826001004		0.4
1	20826001002		0.2
Cont. no.	Part no.	Type of cable	Dim. a[m]

All Dimensions in mm
 Tech. Character.
 Free size tol.
 According to production drawing

All rights reserved Department HCS - RO HARTING Customised Solutions D-32427 Minden	Created by MUNTEANV	Inspected by MUNTEANV	Standardisation AVRAM	Date 2017-08-18	State Final Release
	Title System cable preLink 1x terminal module				Doc-Key / ECM-Nr. 100209218/UGD/004/B 500000123992
Type TB		Number 20826001XXX		Rev. B	Page 1/1

X-ON Electronics

Largest Supplier of Electrical and Electronic Components

Click to view similar products for [Ethernet Cables / Networking Cables](#) category:

Click to view products by [HARTING](#) manufacturer:

Other Similar products are found below :

[73-6670-7](#) [73-6680-15](#) [73-7797-25](#) [MCJB2-10P6Q7-120](#) [84909-0204](#) [1200700174](#) [1200860368](#) [E16A06002M030](#) [E200102-009-S1](#)
[AX105346-EW](#) [MT14-187L](#) [17-103530](#) [ERWPAB3002M005](#) [190-038045-01](#) [NK5EPC18RDY](#) [NK5EPC18VLY](#) [NK5EPC18YLY](#)
[NK5EPC1GRY](#) [NK5EPC4Y](#) [NK5EPC6YLY](#) [NK5EPC8BLY](#) [NK5EPC9YLY](#) [1969343-6](#) [C501100010](#) [C501106002](#) [C501106007](#)
[C501106015](#) [C501106025](#) [C601102010](#) [C601104010](#) [C601106007](#) [C601106015](#) [2142758-2](#) [2168427-2](#) [CAT1106007](#) [SR02P0-26E5-15.0](#)
[SR02S0-26E5-15.0](#) [21949-1](#) [2J1866A](#) [RJF SFTP 5E 0500](#) [AX100351](#) [MN14CEC/ST](#) [C501100015](#) [C501106004](#) [C501106010](#) [C5F1108007](#)
[C601104004](#) [C601106004](#) [CA21106004](#) [CA21106010](#)