

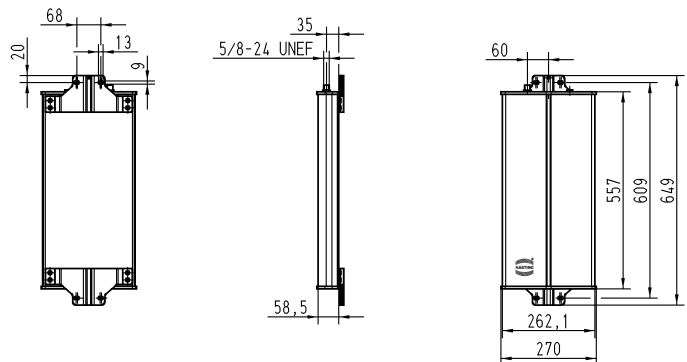


Ha-VIS RF-ANT-WR80-30-US Planar RFID antenna

Identification	Part number	Drawing	Dimensions in mm
----------------	-------------	---------	------------------

Ha-VIS RF-ANT-WR80-30-US			
--------------------------	--	--	--

	20 93 201 0204		
--	----------------	--	--



Recommended accessories

Antenna cables

Ha-VIS Coax ...

... SMA-N, LL240flex	3 m	20 93 204 0104
... SMA-N, LL240flex	10 m	20 93 204 0105
... TNC-N, RG213	3 m	20 93 204 0106
... TNC-N, RG213	10 m	20 93 204 0107

Ha-VIS SMA TNC Adapter
(necessary to connect RG213
cable to Ha-VIS RF-R500)

	20 93 204 0301
--	----------------

Antenna mounting kit

Ha-VIS RF-MOUNT-ANT-B

	20 93 102 0104
--	----------------

All data represent the current state of development at the time of print and are therefore non-binding.

HARTING reserves the right to modify designs without prior notice.

Technical characteristics

Electric properties

Frequency range	902 ... 928 MHz
Impedance	50 Ohm
VSWR	< 1.2:1
Polarisation	Circular
Gain	10.5 dBic
Far field half-power beam width	30° vertical, 70° horizontal
Front to back ratio	> 20 dB
Axial ratio	< 2 dB
Max. input power (FCC15.247)	700 mW (28.5 dBm) conducted for a max. radiated power of 4 W EIRP
Connection	N (female)

Mechanical properties

Dimensions (B x H x T)	557 x 262 x 59 mm (without mounting clamps)
Weight	3.7 kg
Degree of protection	IP 65
Antenna cover	Fiberglass radome (UV resistance)
Colour	Grey
Chassis	Stainless steel
Plate patch	Brass tin-plated
Antenna support	Aluminium
Installation	(see recommend accessories)
Operating temperature range	-20 °C ... +65 °C
Storage temperature range	-40 °C ... +85 °C

X-ON Electronics

Largest Supplier of Electrical and Electronic Components

Click to view similar products for [Antennas](#) category:

Click to view products by [HARTING](#) manufacturer:

Other Similar products are found below :

[GAN30084EU](#) [930-033-R](#) [GW17.07.0250E](#) [1513563-1](#) [EXE902SM](#) [APAMPG-117](#) [MAF94383](#) [W3908B0100](#) [W6102B0100](#) [YE572113-30RSMM](#) [108-00014-50](#) [66089-2406](#) [W3006VP](#) [A09-F8NF-M](#) [A09-F5NF-M](#) [RGFRA1903041A1T](#) [W3525BW100](#) [W3593B0100](#) [W3921B0100](#) [SIMNA-868](#) [SIMNA-915](#) [SIMNA-433](#) [W1044](#) [W1049B090](#) [WTL2449CQ1-FRSMM](#) [CPL9C](#) [EXB148BN](#) [0600-00060](#) [TRA9020S3PBN-001](#) [GD5W-28P-NF](#) [MA9-7N](#) [GD53-25](#) [GD5W-21P-NF](#) [EXB144SM](#) [C37](#) [MAF94051](#) [GD35-17P-NF](#) [P1744](#) [MA9-5N](#) [EXD420PL](#) [B1322NR](#) [QWFTB120](#) [MAF94271](#) [MAF94300](#) [GPSMB301](#) [FG4403](#) [AO-AGSM-OM54](#) [5200232](#) [MIKROE-2349](#) [WCM.01.0111](#)