

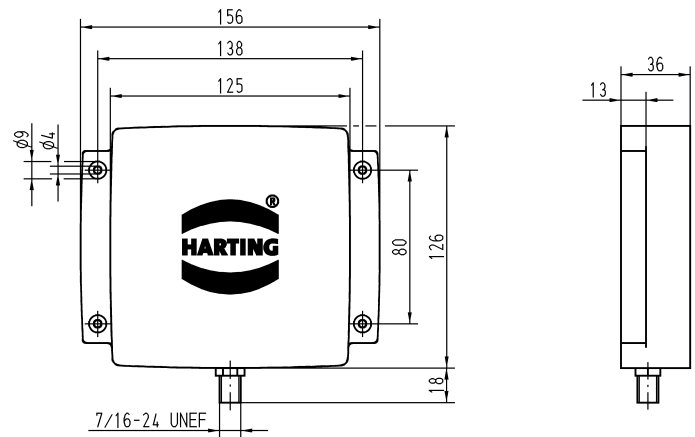


Ha-VIS RF-ANT-MR20-EU
Planar RFID antenna

| Identification | Part number | Drawing | Dimensions in mm |
|----------------|-------------|---------|------------------|
|----------------|-------------|---------|------------------|

Ha-VIS RF-ANT-MR20-EU

20 93 201 0301



Recommended accessories

Antenna cables

| Ha-VIS Coax ... | Length | Part number |
|------------------------|--------|----------------|
| ... SMA-TNC, RG58 | 3 m | 20 93 204 0101 |
| ... SMA-TNC, LL240flex | 3 m | 20 93 204 0102 |
| ... SMA-TNC, LL240flex | 10 m | 20 93 204 0103 |

All data represent the current state of development at the time of print and are therefore non-binding.

HARTING reserves the right to modify designs without prior notice.

Technical characteristics

Electric properties

| | |
|---------------------------------|----------------------|
| Frequency range | 865 ... 870 MHz (EU) |
| Impedanz | 50 Ohm |
| VSWR | < 1.3:1 |
| Polarisation | Circular |
| Gain | 4 dBic @ 866 MHz |
| Far field half-power beam width | 100° |
| Front to back ratio | > 10 dB |
| Axial ratio | typ. 2 dB |
| Max. power (ETSI EN 302 208) | 0.5 W ERP |
| Connection | TNC socket |

Mechanical properties

| | |
|-----------------------------|--|
| Dimensions (B x H x T) | 156 x 126 x 25 mm |
| Weight | 0.3 kg |
| Degree of protection | IP 67 |
| Antenna cover | Tough, weather-resistant polymer blend |
| Colour | RAL 7045 (light grey) |
| Installation | Four through-holes diameter 4.2 mm for M4 screws |
| Operating temperature range | -20 °C ... +55 °C |
| Storage temperature range | -40 °C ... +85 °C |

X-ON Electronics

Largest Supplier of Electrical and Electronic Components

Click to view similar products for [Antennas](#) category:

Click to view products by [HARTING](#) manufacturer:

Other Similar products are found below :

[GAN30084EU](#) [930-033-R](#) [GW17.07.0250E](#) [1513563-1](#) [EXE902SM](#) [APAMPG-117](#) [MAF94383](#) [W3908B0100](#) [W6102B0100](#) [YE572113-30RSMM](#) [108-00014-50](#) [66089-2406](#) [SPDA17RP918](#) [W3006VP](#) [A09-F8NF-M](#) [A09-F5NF-M](#) [RGFRA1903041A1T](#) [W3525BW100](#) [W3593B0100](#) [W3921B0100](#) [SIMNA-868](#) [SIMNA-915](#) [SIMNA-433](#) [W1044](#) [W1049B090](#) [A75-001](#) [WTL2449CQ1-FRSMM](#) [CPL9C](#) [EXB148BN](#) [0600-00060](#) [TRA9020S3PBN-001](#) [GD5W-28P-NF](#) [MA9-7N](#) [GD53-25](#) [GD5W-21P-NF](#) [EXB144SM](#) [C37](#) [MAF94051](#) [GD35-17P-NF](#) [P1744](#) [MA9-5N](#) [EXD420PL](#) [B1322NR](#) [QWFTB120](#) [MAF94271](#) [MAF94300](#) [GPSMB301](#) [FG4403](#) [AO-AGSM-OM54](#) [5200232](#)