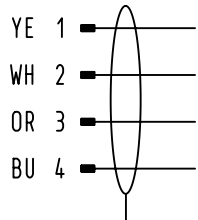
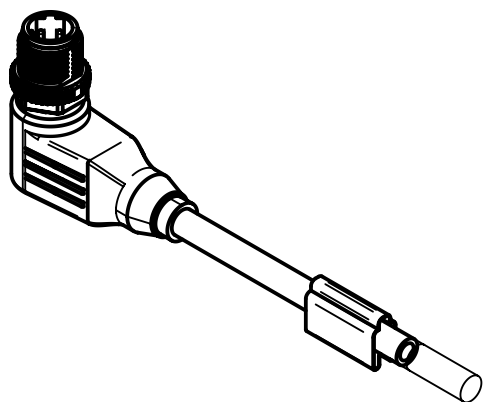
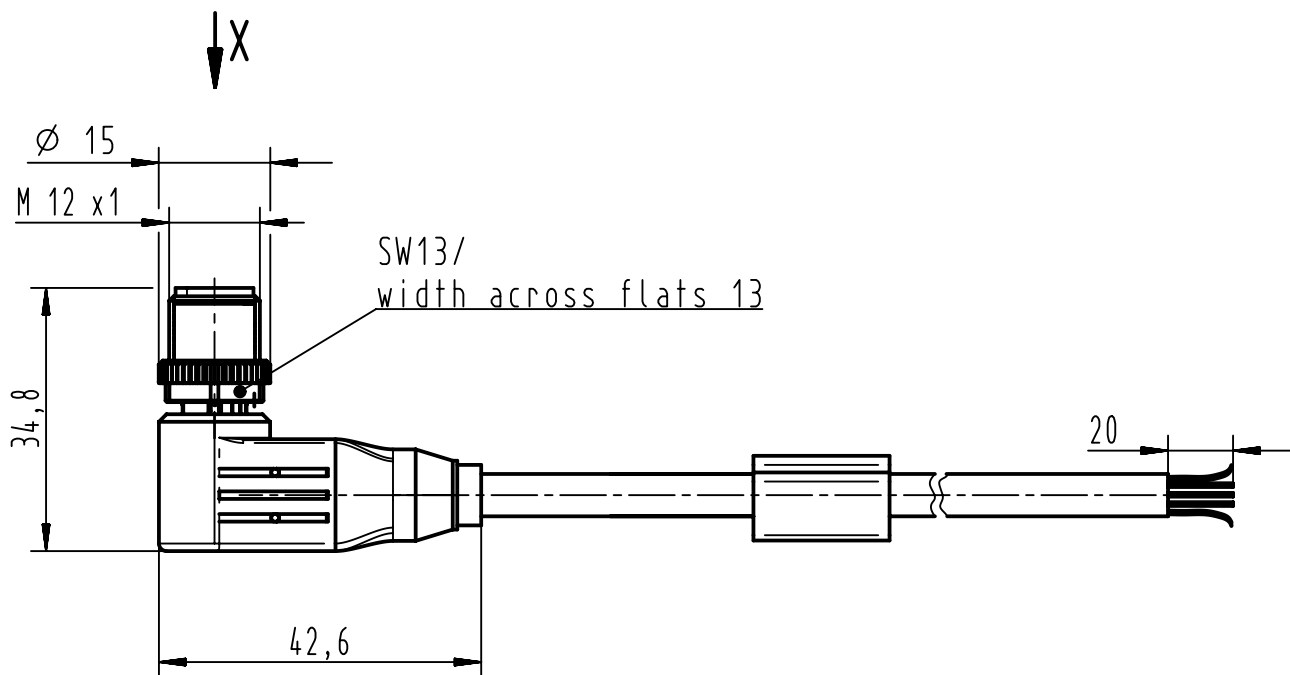



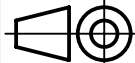
Schematic diagram



Connector frame



| | | | | | | | | |
|--|--|---|---|------------------------|-----------------------------|--------------------|------------------------|-------------|
| | All rights reserved Department EC PD - DE | All Dimensions in mm Original Size DIN A4 | | Scale 1:1 | Free size tol. | | Ref. Sub. | |
| | | HARTING Electronics GmbH D-32339 Espelkamp | Created by DRAGHICI | Inspected by STOICA | Standardisation HOFFMANN | Date 2012-09-27 | State Final Release | |
| | | | Title M12 circular connector, AWG22, D-coded | | | Rev. B | | Page 1/2 |
| | | | Type TB | | Number 21035853400 | | | |

| | 1 | 2 | 3 | 4 | 5 | 6 | |
|---|---|-------------|--|------------------------|-----------------------------|--|------------------------|
| A | | | | | | | |
| B | 12 | 21035853440 | HARTING/ 21035853440/ Fertigungscode/ Made in Germany | | 40000 ± 1,5% | | |
| | 11 | 21035853425 | HARTING/ 21035853425/ Fertigungscode/ Made in Germany | | 25000 ± 1,5% | | |
| | 10 | 21035853420 | HARTING/ 21035853420/ Fertigungscode/ Made in Germany | | 20000 ± 1,5% | | |
| | 9 | 21035853415 | HARTING/ 21035853415/ Fertigungscode/ Made in Germany | | 15000 ± 1,5% | | |
| | 8 | 21035853410 | HARTING/ 21035853410/ Fertigungscode/ Made in Germany | | 10000 ± 1,5% | | |
| | 7 | 21035853457 | HARTING/ 21035853457/ Fertigungscode/ Made in Germany | | 7500 ± 1,5% | | |
| | 6 | 21035853407 | HARTING/ 21035853407/ Fertigungscode/ Made in Germany | | 7000 ± 1,5% | | |
| | 5 | 21035853405 | HARTING/ 21035853405/ Fertigungscode/ Made in Germany | | 5000 ± 1,5% | | |
| | 4 | 21035853403 | HARTING/ 21035853403/ Fertigungscode/ Made in Germany | | 3000 + 100 | | |
| | 3 | 21035853402 | HARTING/ 21035853402/ Fertigungscode/ Made in Germany | | 2000 + 100 | | |
| | 2 | 21035853451 | HARTING/ 21035853451/ Fertigungscode/ Made in Germany | | 1500 + 100 | | |
| | 1 | 21035853401 | HARTING/ 21035853401/ Fertigungscode/ Made in Germany | | 1000 + 50 | | |
| C | Cont no. | Part no. | Cable printing | | | Nominal length [L] | |
| D |  | |  All Dimensions in mm Original Size DIN A4 | | Scale 1:1 | Free size tol. | Ref. Sub. |
| | All rights reserved Department EC PD - DE | | Created by DRAGHICI | Inspected by STOICA | Standardisation HOFFMANN | Date 2012-09-27 | State Final Release |
| | HARTING Electronics GmbH D-32339 Espelkamp | | Title M12 circular connector, AWG22, D-coded | | | Doc-Key / ECM-Nr. 100177528/UGD/005/B | |
| | | | Type TB | Number 21035853400 | | Rev. B | Page 2/2 |

X-ON Electronics

Largest Supplier of Electrical and Electronic Components

Click to view similar products for [HARTING](#) manufacturer:

Other Similar products are found below :

[09452812560333](#) [73550400915](#) [9120052633](#) [9200165425](#) [9300160306](#) [9300165422](#) [9300245422](#) [11996000001](#) [14010313110334](#)
[14010813101333](#) [14011213102333](#) [14110213002333](#) [15110102601333](#) [15210262401000](#) [15211002601333](#) [15221002401000](#)
[15250682601333](#) [15150082601333](#) [15150262601333](#) [15220062401000](#) [15220122601000](#) [15220502401000](#) [15220682401000](#)
[15250102601333](#) [15250122601333](#) [17051331602](#) [19000007106](#) [19000007109](#) [19120080526](#) [19200030410](#) [19200100251](#) [19200100295](#)
[19200320537](#) [19300061255](#) [19300101420](#) [19300101430](#) [19300101440](#) [19300101730](#) [19300241291](#) [19300480449](#) [1930060291](#)
[19302100291](#) [19302100547](#) [19302101250](#) [19302101541](#) [19302161251](#) [19302161291](#) [19302240448](#) [19302240547](#) [19360061541](#)