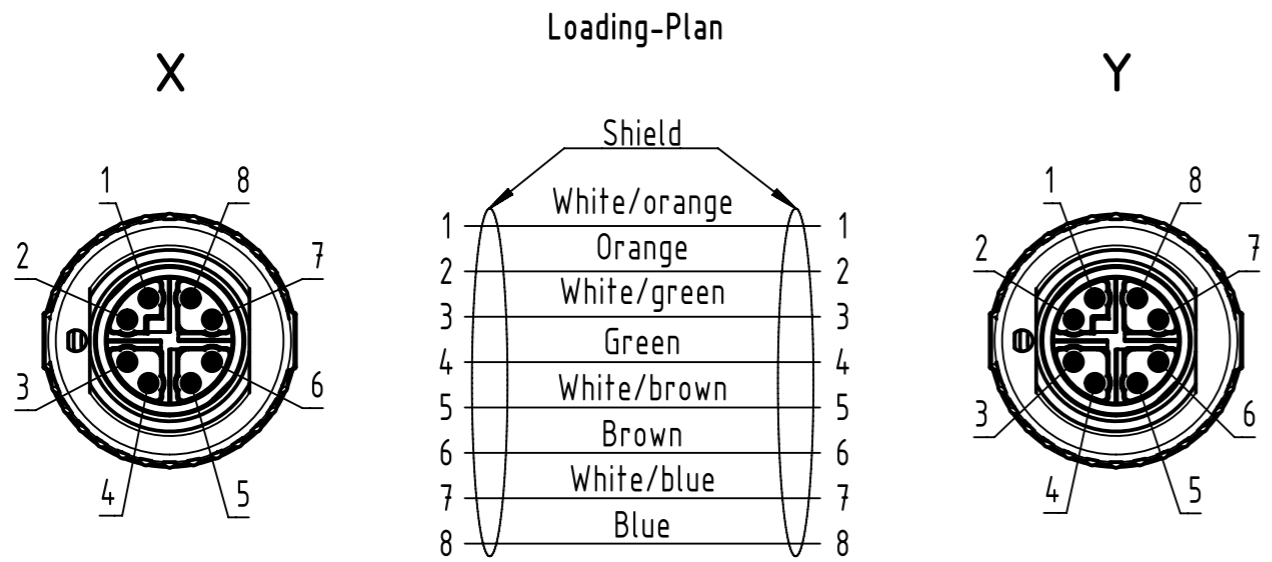
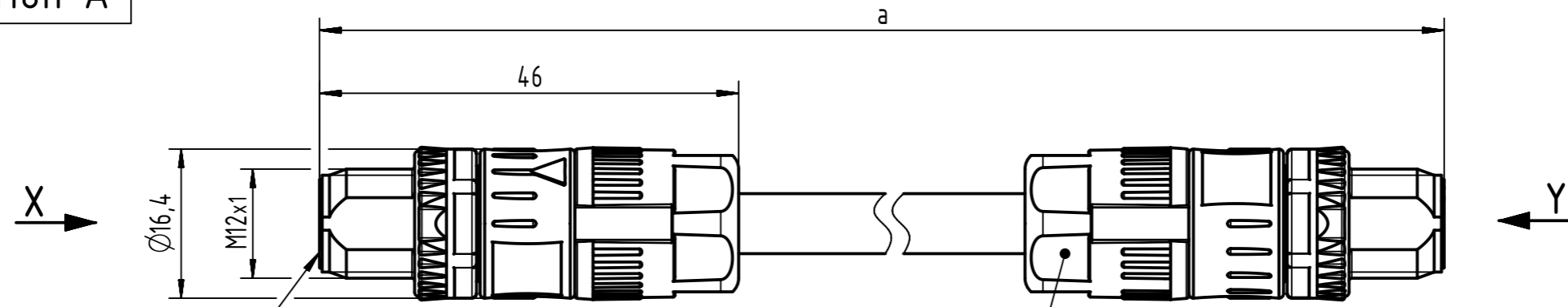


Connector Location A

Connector Location B



Shield

1	White/orange	1
2	Orange	2
3	White/green	3
4	Green	4
5	White/brown	5
6	Brown	6
7	White/blue	7
8	Blue	8

length in 1m step	100	XXX=000
	99	XXX=990
	.	.
	.	.
	.	.
length in 0.1m step	12	XXX=120
	11	XXX=110
	10	XXX=100
	9.9	XXX=099
	9.8	XXX=098
Step	.	.
	.	.
	0.5	XXX=005
	0.4	XXX=004
	0.3	XXX=003
	0.2	XXX=002
	a [m]	XXX

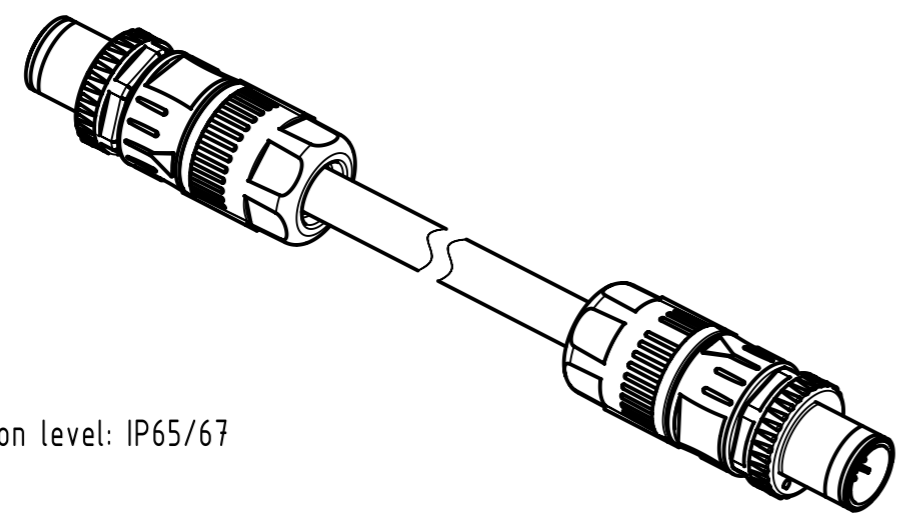
6.0 to 100	±1%
0.6 to 5.9	+0.04
0.2 to 0.5	+0.02
a [m]	Tolerance [m]

Part no.	213301018XXXXX
----------	----------------

Type of cable	Temp.	XX
RJI Ethernet stranded cable, 4x2xAWG26/7, Cat.6A, PUR, yellow	-40°C ... +80°C	XX=10
RJI Ethernet flexible cable, 4x2xAWG 26/7, Cat.7A, PUR yellow	-40°C ... +70°C	XX=50
RJI EtherRail cable, 4x2xAWG 24/7, Cat.7, PE, black	-40°C ... +80°C	XX=53

All Dimensions in mm
 Tech. Character.
 Free size tol.
 According to production drawing

All rights reserved Department HCS - RO	Created by COSTEA	Inspected by MUNTEANV	Standardisation AVRAM	Date 2017-09-20	State Final Release
	Title M12 X-coded Cable Assembly				Doc-Key / ECM-Nr. 100542214/UGD/004/D 500000125542
HARTING Customised Solutions D-32427 Minden		Type TB	Number 213301018XXXXX		Rev. D
					Page 1/1



- Protection level: IP65/67

X-ON Electronics

Largest Supplier of Electrical and Electronic Components

Click to view similar products for [Ethernet Cables / Networking Cables](#) category:

Click to view products by [HARTING](#) manufacturer:

Other Similar products are found below :

[73-6670-7](#) [73-6680-15](#) [73-7797-25](#) [MCJB2-10P6Q7-120](#) [84909-0204](#) [1200700174](#) [1200860368](#) [E16A06002M030](#) [E200102-009-S1](#)
[AX105346-EW](#) [MT14-187L](#) [17-103530](#) [ERWPAB3002M005](#) [190-038045-01](#) [NK5EPC18RDY](#) [NK5EPC18VLY](#) [NK5EPC18YLY](#)
[NK5EPC1GRY](#) [NK5EPC4Y](#) [NK5EPC6YLY](#) [NK5EPC8BLY](#) [NK5EPC9YLY](#) [1969343-6](#) [C501100010](#) [C501106002](#) [C501106007](#)
[C501106015](#) [C501106025](#) [C601102010](#) [C601104010](#) [C601106007](#) [C601106015](#) [2142758-2](#) [2168427-2](#) [CAT1106007](#) [SR02P0-26E5-15.0](#)
[SR02S0-26E5-15.0](#) [21949-1](#) [2J1866A](#) [RJF SFTP 5E 0500](#) [AX100351](#) [MN14CEC/ST](#) [C501100015](#) [C501106004](#) [C501106010](#) [C5F1108007](#)
[C601104004](#) [C601106004](#) [CA21106004](#) [CA21106010](#)