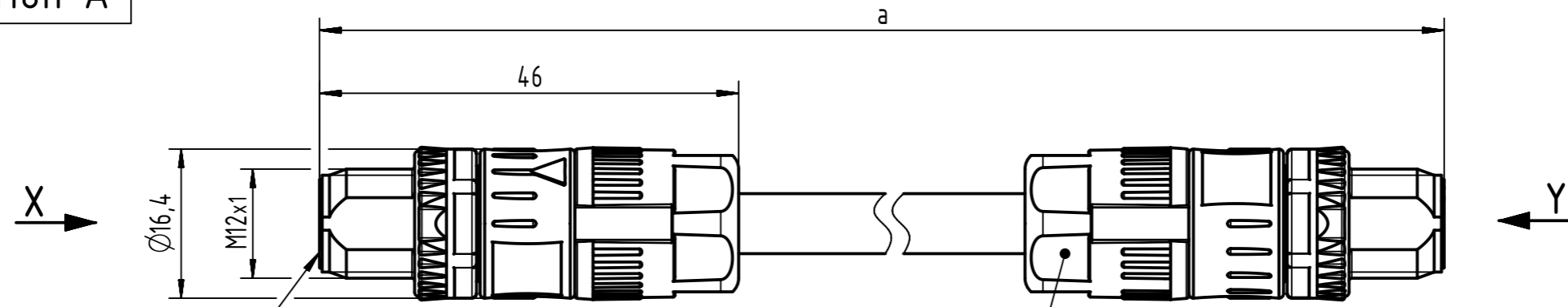
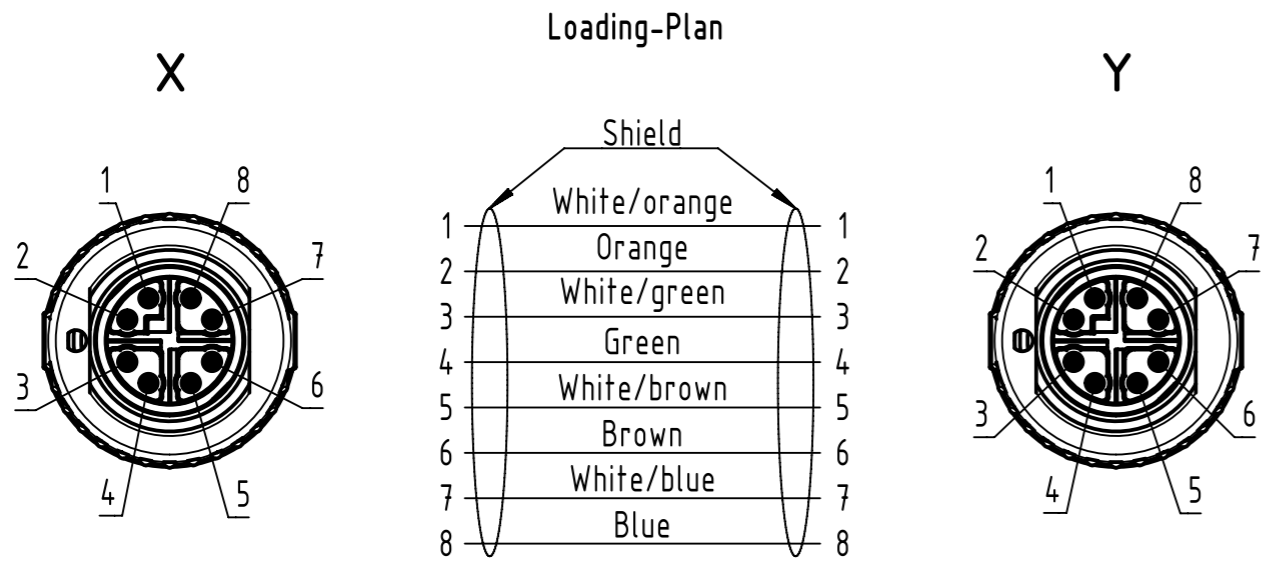


Connector Location A

Connector Location B



Mating face acc. to IEC 61076-2-109  
M12 X-coded Slim Design, crimp male straight 8-pole



Shield

|   |              |   |
|---|--------------|---|
| 1 | White/orange | 1 |
| 2 | Orange       | 2 |
| 3 | White/green  | 3 |
| 4 | Green        | 4 |
| 5 | White/brown  | 5 |
| 6 | Brown        | 6 |
| 7 | White/blue   | 7 |
| 8 | Blue         | 8 |

|                     |       |         |
|---------------------|-------|---------|
| length in 1m step   | 100   | XXX=000 |
|                     | 99    | XXX=990 |
|                     | .     | .       |
|                     | .     | .       |
|                     | .     | .       |
| length in 0.1m step | 12    | XXX=120 |
|                     | 11    | XXX=110 |
|                     | 10    | XXX=100 |
|                     | 9.9   | XXX=099 |
|                     | 9.8   | XXX=098 |
| Step                | .     | .       |
|                     | .     | .       |
|                     | 0.5   | XXX=005 |
|                     | 0.4   | XXX=004 |
|                     | 0.3   | XXX=003 |
|                     | 0.2   | XXX=002 |
|                     | a [m] | XXX     |

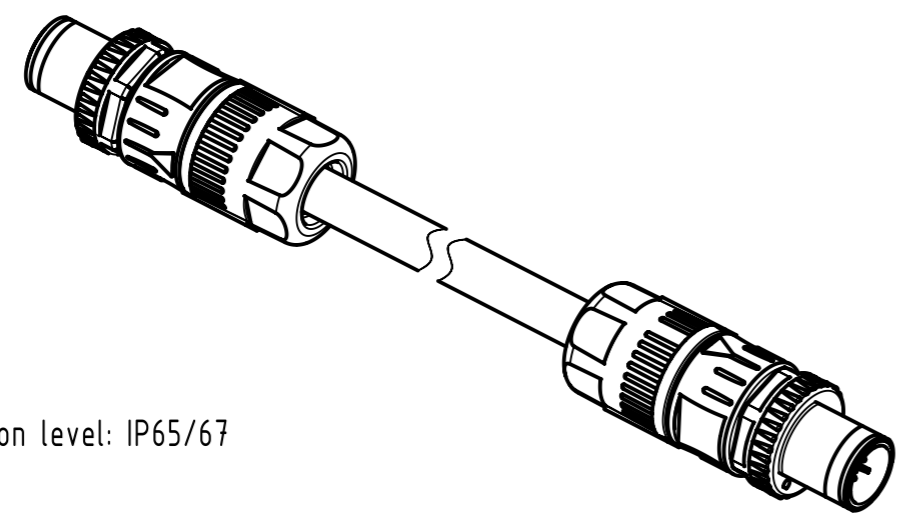
|            |               |
|------------|---------------|
| 6.0 to 100 | ±1%           |
| 0.6 to 5.9 | +0.04         |
| 0.2 to 0.5 | +0.02         |
| a [m]      | Tolerance [m] |

|          |                |
|----------|----------------|
| Part no. | 213301018XXXXX |
|----------|----------------|

|   |                 |       |
|---|-----------------|-------|
| Type of cable   | Temp.           | XX    |
| RJI Ethernet stranded cable, 4x2xAWG26/7, Cat.6A, PUR, yellow | -40°C ... +80°C | XX=10 |
| RJI Ethernet flexible cable, 4x2xAWG 26/7, Cat.7A, PUR yellow | -40°C ... +70°C | XX=50 |
| RJI EtherRail cable, 4x2xAWG 24/7, Cat.7, PE, black           | -40°C ... +80°C | XX=53 |

All Dimensions in mm  
 Tech. Character.  
 Free size tol.  
 According to production drawing

|  |                                     |                          |                          |                    |  |
|--|-------------------------------------|--------------------------|--------------------------|--------------------|--|
| All rights reserved<br>Department HCS - RO     | Created by<br>COSTEA                | Inspected by<br>MUNTEANV | Standardisation<br>AVRAM | Date<br>2017-09-20 | State<br>Final Release                                   |
|  | Title<br>M12 X-coded Cable Assembly |                          |                          |                    | Doc-Key / ECM-Nr.<br>100542214/UGD/004/D<br>500000125542 |
| HARTING Customised Solutions<br>D-32427 Minden |                                     | Type<br>TB               | Number<br>213301018XXXXX |                    | Rev. D Page 1/1  |



- Protection level: IP65/67

## X-ON Electronics

Largest Supplier of Electrical and Electronic Components

*Click to view similar products for [Sensor Cables / Actuator Cables](#) category:*

*Click to view products by [HARTING](#) manufacturer:*

Other Similar products are found below :

[60963](#) [60964](#) [703000D02F2002](#) [703001D02F0602](#) [703001D02F300](#) [704000D02F120](#) [773032K02F030](#) [802027107404-1](#) [802027213811-1](#)  
[804001A09M150](#) [805001A09M0502](#) [84914-0235](#) [84914-0237](#) [885030A09M020](#) [8R4J30E03C3003](#) [1200651332](#) [1200651713](#) [1200660844](#)  
[1200660845](#) [1200661173](#) [1200680071](#) [1200720053](#) [1200720081](#) [1200720099](#) [1200720217](#) [1200800231](#) [1200860125](#) [1200870123](#)  
[1200980102](#) [1200650267](#) [1200650298](#) [1200660183](#) [1200660782](#) [1200660849](#) [1200661295](#) [1200661297](#) [1200661342](#) [1200661343](#)  
[1200670080](#) [1200670220](#) [1200680331](#) [1200720252](#) [1200730184](#) [1200860344](#) [1200870359](#) [1200870643](#) [1200980008](#) [1200980031](#)  
[1210502211](#) [1210400542](#)