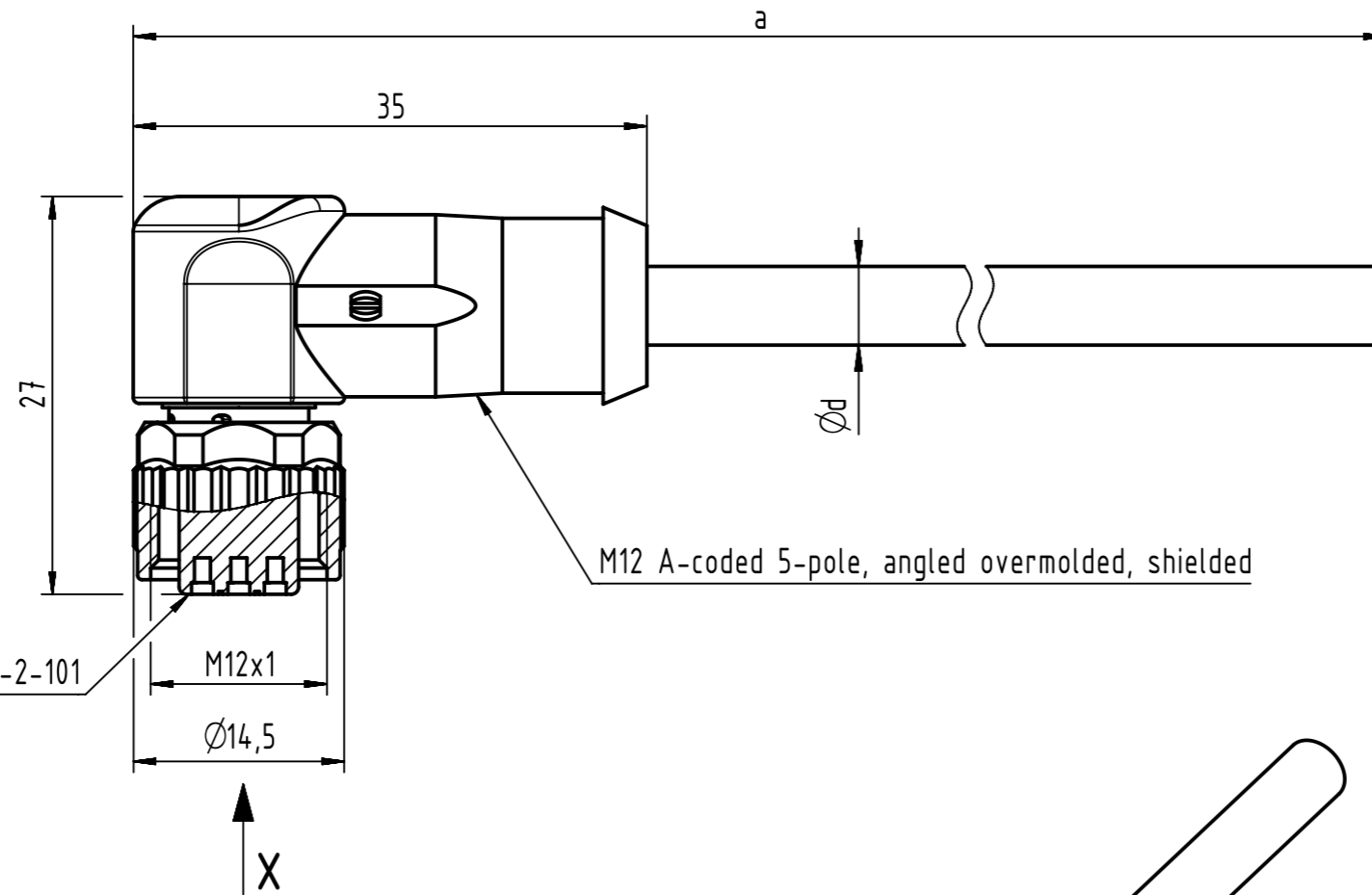


Connector Location A

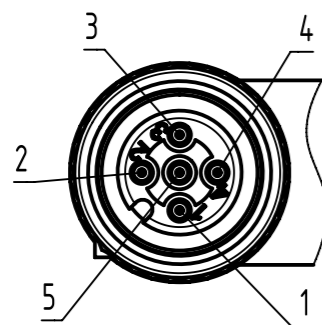
Connector Location B



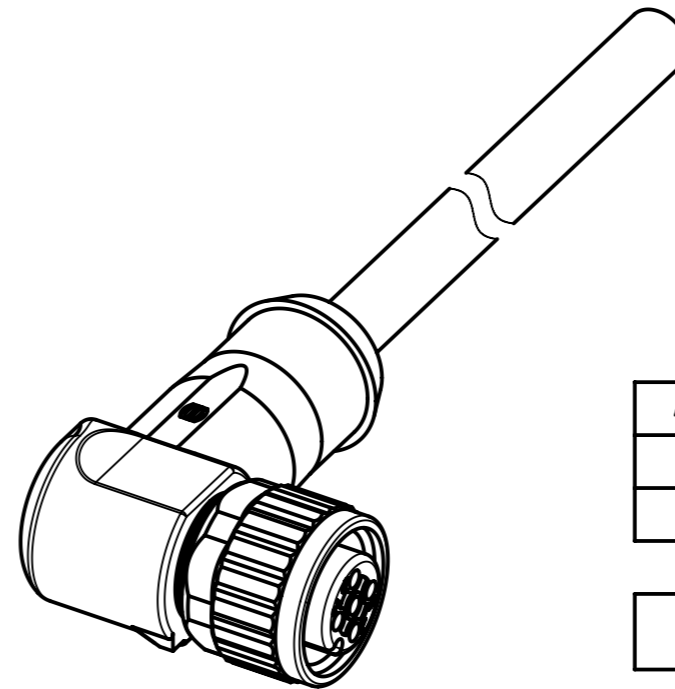
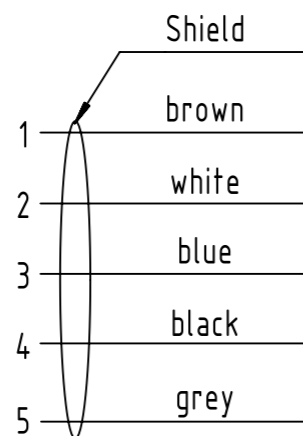
Mating face acc. to IEC 61076-2-101

M12 A-coded 5-pole, angled overmolded, shielded

X female



Loading Plan



|            |           |
|------------|-----------|
| 4.0 to 100 | ±1%       |
| 0.1 to 3.9 | +0.04     |
| a [m]      | Tolerance |

|                       |       |         |
|-----------------------|-------|---------|
| length in "1m" step   | 100   | XXX=000 |
|                       | 99    | XXX=990 |
|                       | 12    | XXX=120 |
|                       | 11    | XXX=110 |
|                       | 10    | XXX=100 |
| length in "0.1m" step | 9.9   | XXX=099 |
|                       | 9.8   | XXX=098 |
|                       | 0.4   | XXX=004 |
|                       | 0.3   | XXX=003 |
|                       | 0.2   | XXX=002 |
|                       | 0.1   | XXX=001 |
| Step                  | a [m] | XXX     |

|          |                 |
|----------|-----------------|
| Part no. | 213477005XXXXXX |
|----------|-----------------|

|            |                                  |       |
|------------|----------------------------------|-------|
| Dim. d[mm] | Type of cable                    | XX    |
| Ø5.6       | PUR black, 5x0.34mm <sup>2</sup> | XX=68 |
| Ø5.4       | PVC grey, 5x0.25mm <sup>2</sup>  | XX=69 |

- Protection level: IP67  
 - Temperature range: -25°C ... +80°C

|   |  |                                   |  |                                  |  |  |  |  |  |                        |  |
|---|--|-----------------------------------|--|----------------------------------|--|--|--|--|--|------------------------|--|
| All rights reserved<br>Department HCS - RO        |  | Created by<br>STOCECIC<br>Stoceci |  | Inspected by<br>COSTEA<br>Costea |  | Standardisation<br>MUNTEANV<br>Muntean |  | Date<br>2019-03-27                                       |  | State<br>Final Release |  |
| HARTING Customised Solutions<br>D-32339 Espelkamp |  | Title<br>M12 A-cod an/- f/- shld. |  | Type<br>TB                       |  | Number<br>213477005XXXXXX              |  | Doc-Key / ECM-Nr.<br>100650278/UGD/011/E<br>500000149491 |  | Rev.<br>E              |  |
|   |  |                                   |  |                                  |  |  |  |  |  | Page<br>1/1            |  |

## X-ON Electronics

Largest Supplier of Electrical and Electronic Components

*Click to view similar products for [Sensor Cables / Actuator Cables](#) category:*

*Click to view products by [HARTING](#) manufacturer:*

Other Similar products are found below :

[60963](#) [60964](#) [703000D02F2002](#) [703001D02F0602](#) [703001D02F300](#) [704000D02F120](#) [773032K02F030](#) [802027107404-1](#) [802027213811-1](#)  
[804001A09M150](#) [805001A09M0502](#) [84914-0235](#) [84914-0237](#) [885030A09M020](#) [8R4J30E03C3003](#) [1200651332](#) [1200651713](#) [1200660844](#)  
[1200660845](#) [1200661173](#) [1200680071](#) [1200720053](#) [1200720081](#) [1200720099](#) [1200720217](#) [1200800231](#) [1200860125](#) [1200870123](#)  
[1200980102](#) [1200650267](#) [1200650298](#) [1200660183](#) [1200660782](#) [1200660849](#) [1200661295](#) [1200661297](#) [1200661342](#) [1200661343](#)  
[1200670080](#) [1200670220](#) [1200680331](#) [1200720252](#) [1200730184](#) [1200860344](#) [1200870359](#) [1200870643](#) [1200980008](#) [1200980031](#)  
[1210502211](#) [1210400542](#)