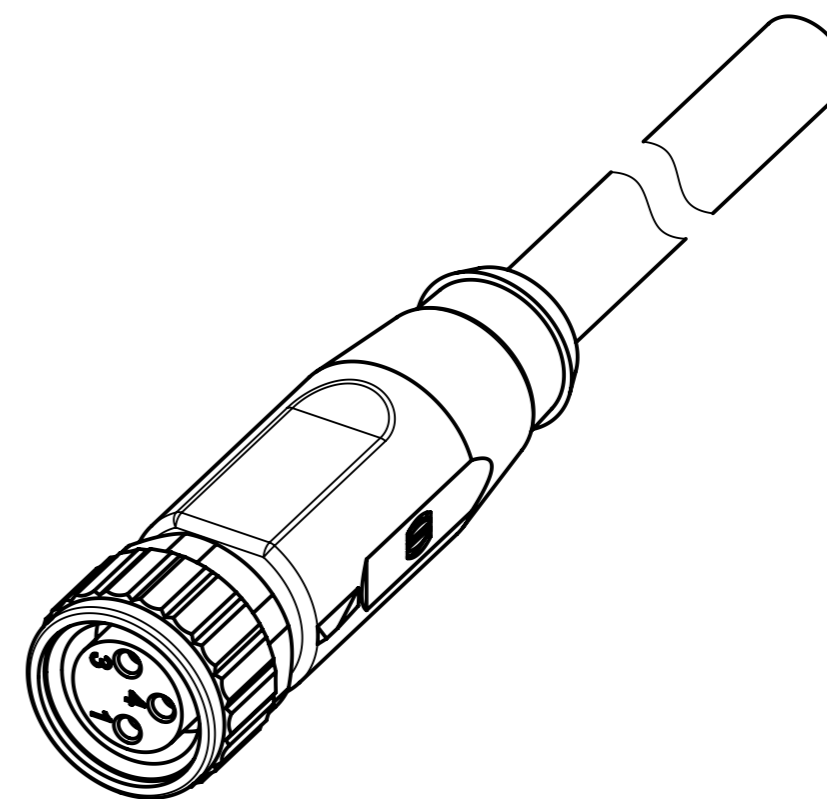
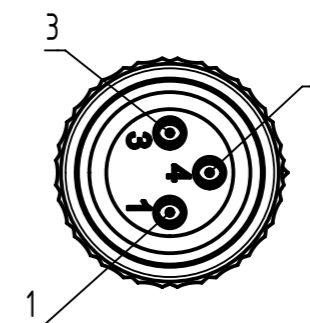






# M8 A-coded female, straight, 3-pole

## TECHNICAL CHARACTERISTICS

Rated voltage	max. 60 V AC/DC
Rated current / contact	max. 3 A at +40°C
Screw locking	M8x1, self securing
Recommended torque	0.4 Nm
Temperature range (working and storage)	-25°C ... +80°C
Degree of protection	IP67
Number of wires / wire gauge	3 x 0.25 mm <sup>2</sup>
Conductor insulation	PP (bn, bu, bk)
Arrangement of insulated strands	32 x Ø 0.1 mm
Sheath	PUR (UL, CSA)
Sheath color	black
Outer diameter	Ø 4.4 ± 0.15 mm
Usable as trailing cable	yes
Halogen free acc. to	DIN VDE 0472 part 815
Flame retardant acc. to	cUL20549
Connector flame retardancy	UL 94 HB
Oil resistant	-



	All Dimensions in mm	Tech. Character.	Free size tol.	According to production drawing	
	All rights reserved Department HCS - RO	Created by MUNTEANV	Inspected by COSTEA	Standardisation AVRAM	Date 2017-07-28
HARTING Customised Solutions D-32427 Minden		Title M8 A-coded female, straight, 3-pole			State Final Release
Type DS	Number 21025001002	Doc-Key / ECM-Nr. 100652683/UGD/000/B 500000122973		Rev. B	Page 1/1

## X-ON Electronics

Largest Supplier of Electrical and Electronic Components

*Click to view similar products for [Sensor Cables / Actuator Cables](#) category:*

*Click to view products by [HARTING](#) manufacturer:*

Other Similar products are found below :

[60963](#) [60964](#) [703000D02F2002](#) [703001D02F0602](#) [703001D02F300](#) [704000D02F120](#) [773032K02F030](#) [802027107404-1](#) [802027213811-1](#)  
[804001A09M150](#) [805001A09M0502](#) [84914-0235](#) [84914-0237](#) [885030A09M020](#) [8R4J30E03C3003](#) [1200651332](#) [1200651713](#) [1200660844](#)  
[1200660845](#) [1200661173](#) [1200680071](#) [1200720053](#) [1200720081](#) [1200720099](#) [1200720217](#) [1200800231](#) [1200860125](#) [1200870123](#)  
[1200980102](#) [1200650267](#) [1200650298](#) [1200660183](#) [1200660782](#) [1200660849](#) [1200661295](#) [1200661297](#) [1200661342](#) [1200661343](#)  
[1200670080](#) [1200670220](#) [1200680331](#) [1200720252](#) [1200730184](#) [1200860344](#) [1200870359](#) [1200870643](#) [1200980008](#) [1200980031](#)  
[1210502211](#) [1210400542](#)