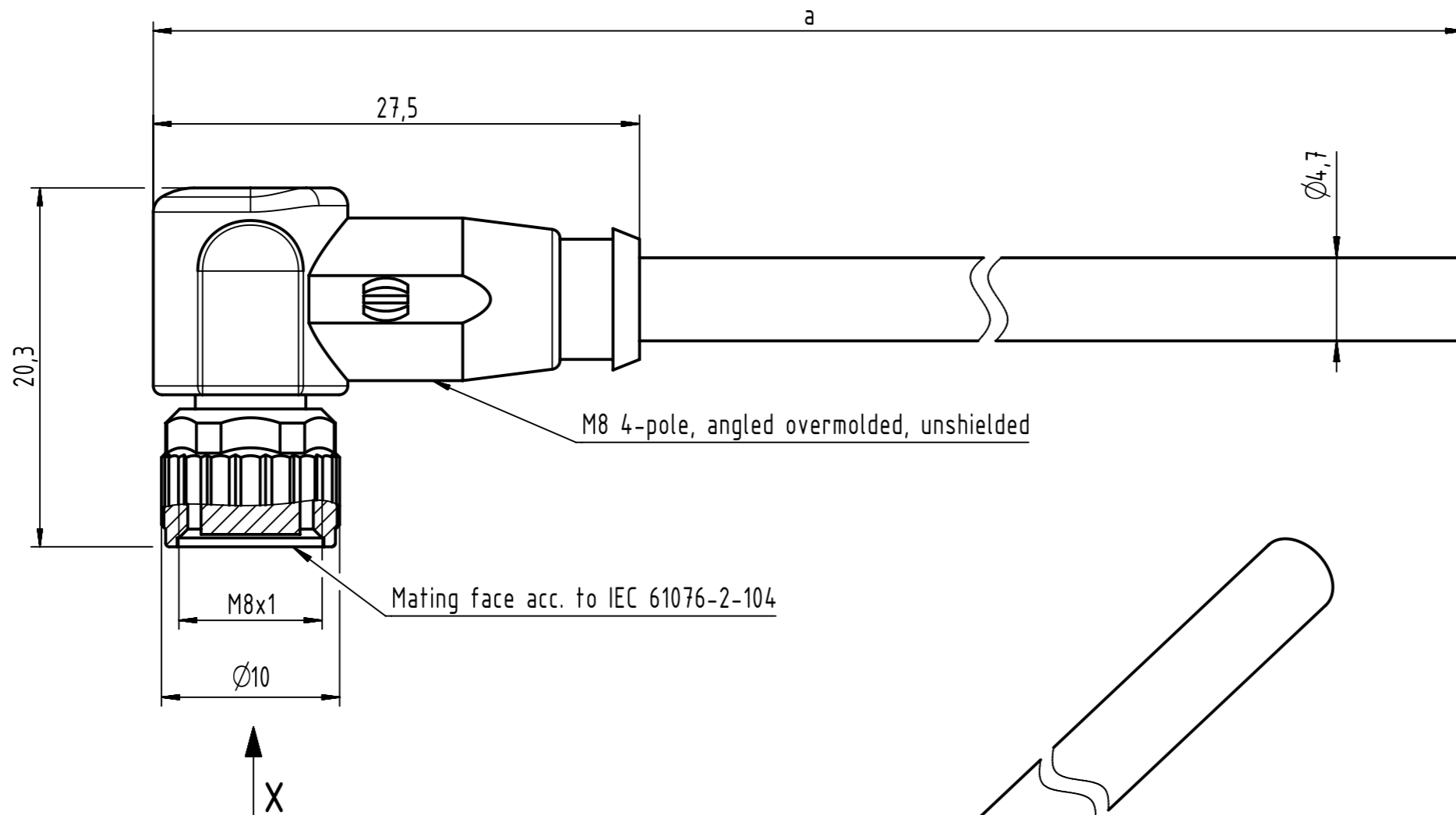


Connector Location A

Connector Location B

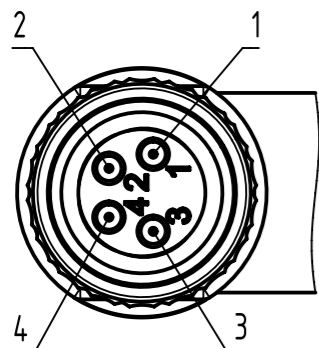


M8 4-pole, angled overmolded, unshielded

Mating face acc. to IEC 61076-2-104

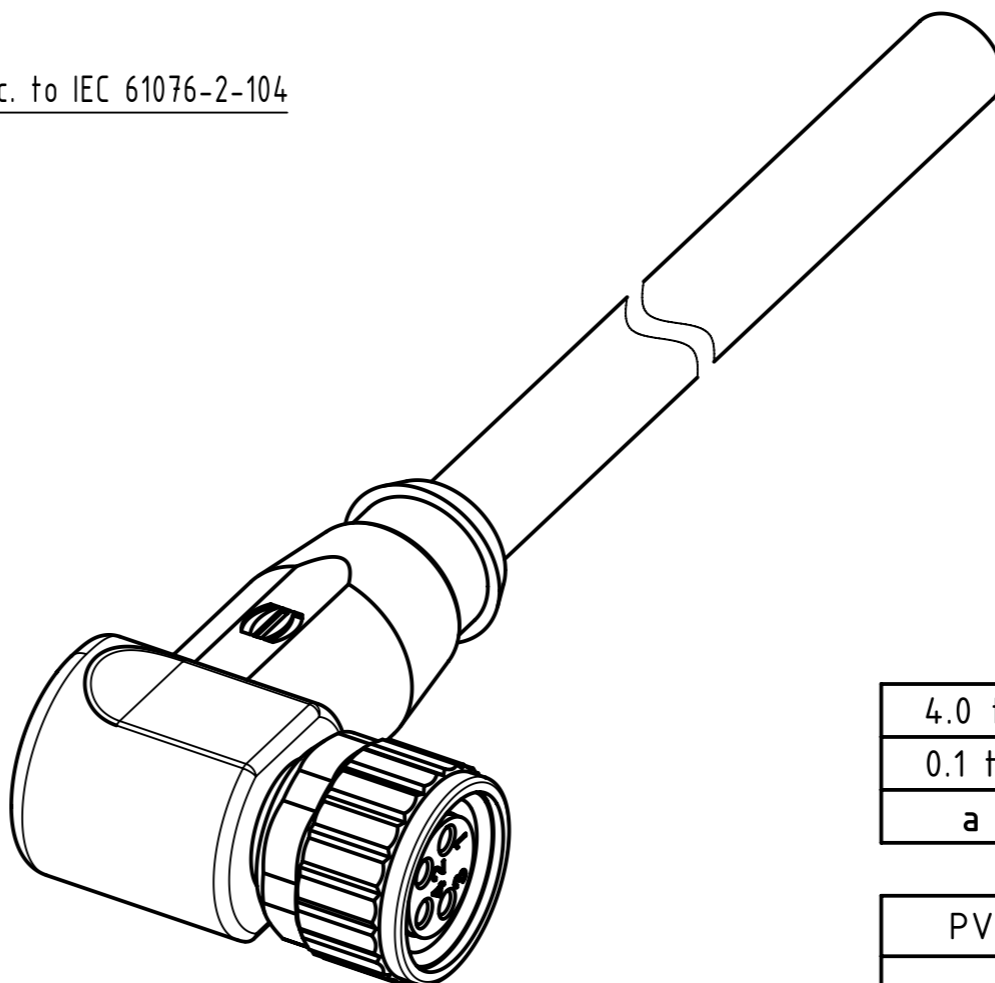
X female

Loading-Plan



- 1 brown
- 2 white
- 3 blue
- 4 black

- Protection level: IP67  
 - Temperature range: -25°C ... +80°C



|            |           |
|------------|-----------|
| 4.0 to 40  | ±1%       |
| 0.1 to 3.9 | +0.04     |
| a [m]      | Tolerance |

|                       |       |         |
|-----------------------|-------|---------|
| length in "1m" step   | 40    | XXX=400 |
|                       | 39    | XXX=390 |
|                       | .     | .       |
|                       | 12    | XXX=120 |
| length in "0.1m" step | 11    | XXX=110 |
|                       | 10    | XXX=100 |
|                       | 9.9   | XXX=099 |
|                       | 9.8   | XXX=098 |
|                       | .     | .       |
|                       | 0.4   | XXX=004 |
|                       | 0.3   | XXX=003 |
|                       | 0.2   | XXX=002 |
|                       | 0.1   | XXX=001 |
| Step                  | a [m] | XXX     |

|                                 |                |
|---------------------------------|----------------|
| PVC grey, 4x0.25mm <sup>2</sup> | 21348300481XXX |
| Type of cable                   | Part no.       |

|                                                                                                 |                                                                                               |                                   |                                  |                                        |                    |                        |                                                          |
|-------------------------------------------------------------------------------------------------|-----------------------------------------------------------------------------------------------|-----------------------------------|----------------------------------|----------------------------------------|--------------------|------------------------|----------------------------------------------------------|
| All rights reserved<br>Department HCS - RO<br>HARTING Customised Solutions<br>D-32339 Espelkamp | All Dimensions in mm<br>Tech. Character.<br>Free size tol.<br>According to production drawing | Created by<br>STOCEVIC<br>Stoceci | Inspected by<br>COSTEA<br>Costea | Standardisation<br>MUNTEANV<br>Muntean | Date<br>2019-01-11 | State<br>Final Release | Doc-Key / ECM-Nr.<br>100577978/UGD/009/C<br>500000145294 |
|                                                                                                 | Title<br>M8 Cable Assembly 4-poles an/- f/-<br>Type TB<br>Number 21348300481XXX               | Rev. C<br>Page 1/1                |                                  |                                        |                    |                        |                                                          |

## X-ON Electronics

Largest Supplier of Electrical and Electronic Components

*Click to view similar products for [Sensor Cables / Actuator Cables](#) category:*

*Click to view products by [HARTING](#) manufacturer:*

Other Similar products are found below :

[60963](#) [60964](#) [703000D02F2002](#) [703001D02F0602](#) [703001D02F300](#) [704000D02F120](#) [773032K02F030](#) [802027107404-1](#) [802027213811-1](#)  
[804001A09M150](#) [805001A09M0502](#) [84914-0235](#) [84914-0237](#) [885030A09M020](#) [8R4J30E03C3003](#) [1200651332](#) [1200651713](#) [1200660844](#)  
[1200660845](#) [1200661173](#) [1200680071](#) [1200720053](#) [1200720081](#) [1200720099](#) [1200720217](#) [1200800231](#) [1200860125](#) [1200870123](#)  
[1200980102](#) [1200650267](#) [1200650298](#) [1200660183](#) [1200660782](#) [1200660849](#) [1200661295](#) [1200661297](#) [1200661342](#) [1200661343](#)  
[1200670080](#) [1200670220](#) [1200680331](#) [1200720252](#) [1200730184](#) [1200860344](#) [1200870359](#) [1200870643](#) [1200980008](#) [1200980031](#)  
[1210502211](#) [1210400542](#)