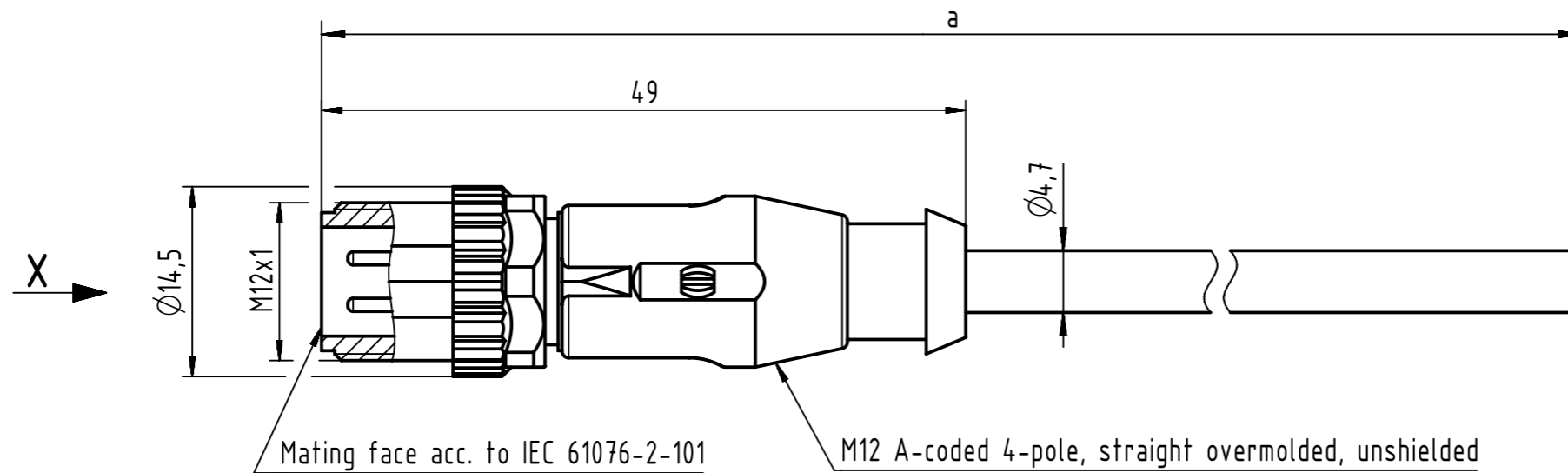
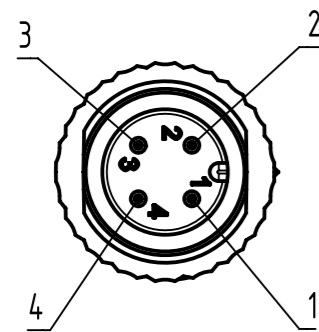


Connector Location A

Connector Location B

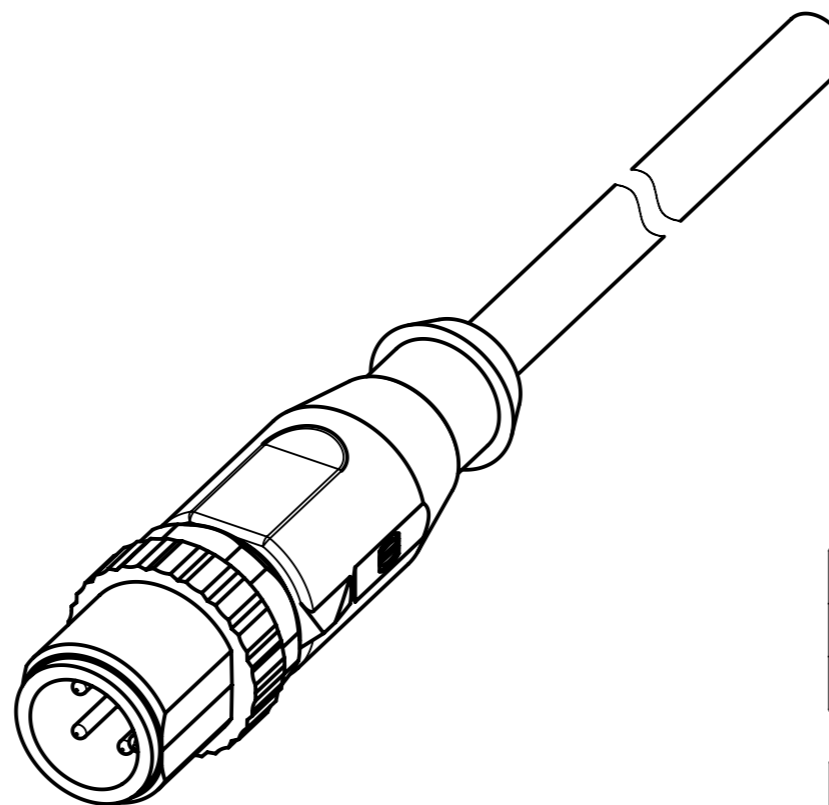


X
male



Loading-Plan:

- 1 brown
- 2 white
- 3 blue
- 4 black



- Protection level: IP67
- Temperature range: -25°C ... +80°C

| | | |
|-----------------------|-------|---------|
| length in "1m" step | 40 | XXX=40 |
| | 39 | XXX=39 |
| | . | . |
| | 12 | XXX=120 |
| | 11 | XXX=110 |
| length in "0.1m" step | 10 | XXX=100 |
| | 9.9 | XXX=099 |
| | 9.8 | XXX=098 |
| | . | . |
| | 0.4 | XXX=004 |
| | 0.3 | XXX=003 |
| | 0.2 | XXX=002 |
| | 0.1 | XXX=001 |
| Step | a [m] | XXX |

| | |
|------------|-----------|
| 4.0 to 40 | ±1% |
| 0.1 to 3.9 | +0.04 |
| a [m] | Tolerance |

| | |
|---------------------------------|----------------|
| PVC grey, 4x0.34mm ² | 21348400484XXX |
| Type of cable | Part no. |

| | | | | | | |
|--|---------------------|---|-------------------------------|----------------------------------|-----------------|--|
| | All rights reserved | Created by COSTEA Costea | Inspected by STOCECIC Stoceci | Standardisation MUNTEANV Muntean | Date 2018-12-17 | State Final Release |
| | Department HCS - RO | Title M12 Cable Assembly A-cod st/- m/- | | | | Doc-Key / ECM-Nr. 100578816/UGD/009/C 500000144899 |
| HARTING Customised Solutions D-32339 Espelkamp | | Type TB | Number 21348400484XXX | | Rev. C | Page 1/1 |

X-ON Electronics

Largest Supplier of Electrical and Electronic Components

Click to view similar products for [Ethernet Cables / Networking Cables](#) category:

Click to view products by [HARTING](#) manufacturer:

Other Similar products are found below :

[73-6670-7](#) [73-6680-15](#) [73-7797-25](#) [MCJB2-10P6Q7-120](#) [84909-0204](#) [1200700174](#) [1200860368](#) [E16A06002M030](#) [E200102-009-S1](#)
[AX105346-EW](#) [MT14-187L](#) [17-103530](#) [ERWPAB3002M005](#) [190-038045-01](#) [NK5EPC18RDY](#) [NK5EPC18VLY](#) [NK5EPC18YLY](#)
[NK5EPC1GRY](#) [NK5EPC4Y](#) [NK5EPC6YLY](#) [NK5EPC8BLY](#) [NK5EPC9YLY](#) [1969343-6](#) [C501100010](#) [C501106002](#) [C501106007](#)
[C501106015](#) [C501106025](#) [C601102010](#) [C601104010](#) [C601106007](#) [C601106015](#) [2142758-2](#) [2168427-2](#) [CAT1106007](#) [SR02P0-26E5-15.0](#)
[SR02S0-26E5-15.0](#) [21949-1](#) [2J1866A](#) [RJF SFTP 5E 0500](#) [AX100351](#) [MN14CEC/ST](#) [C501100015](#) [C501106004](#) [C501106010](#) [C5F1108007](#)
[C601104004](#) [C601106004](#) [CA21106004](#) [CA21106010](#)