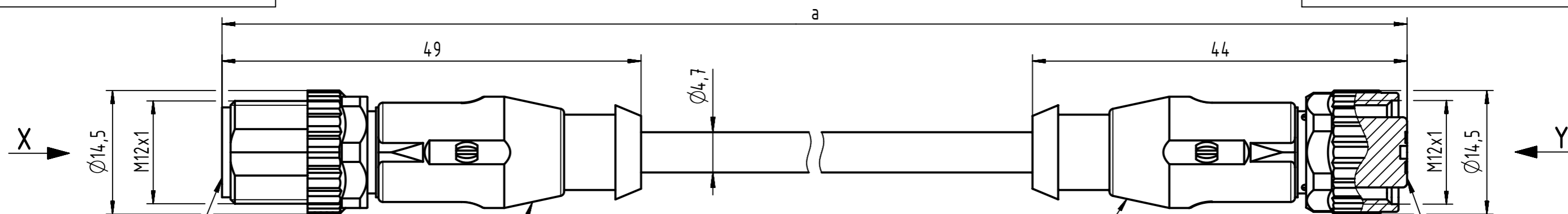


Connector Location A

Connector Location B



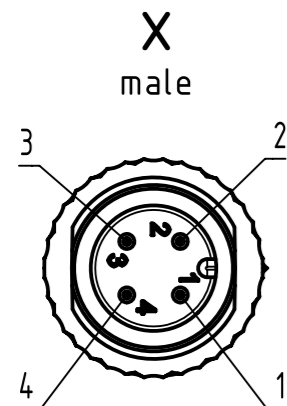
Mating face acc. to IEC 61076-2-101

M12 A-coded 4-pole, straight overmolded, unshielded  
for technical details see DS 21035001004

Mating face acc. to IEC 61076-2-101

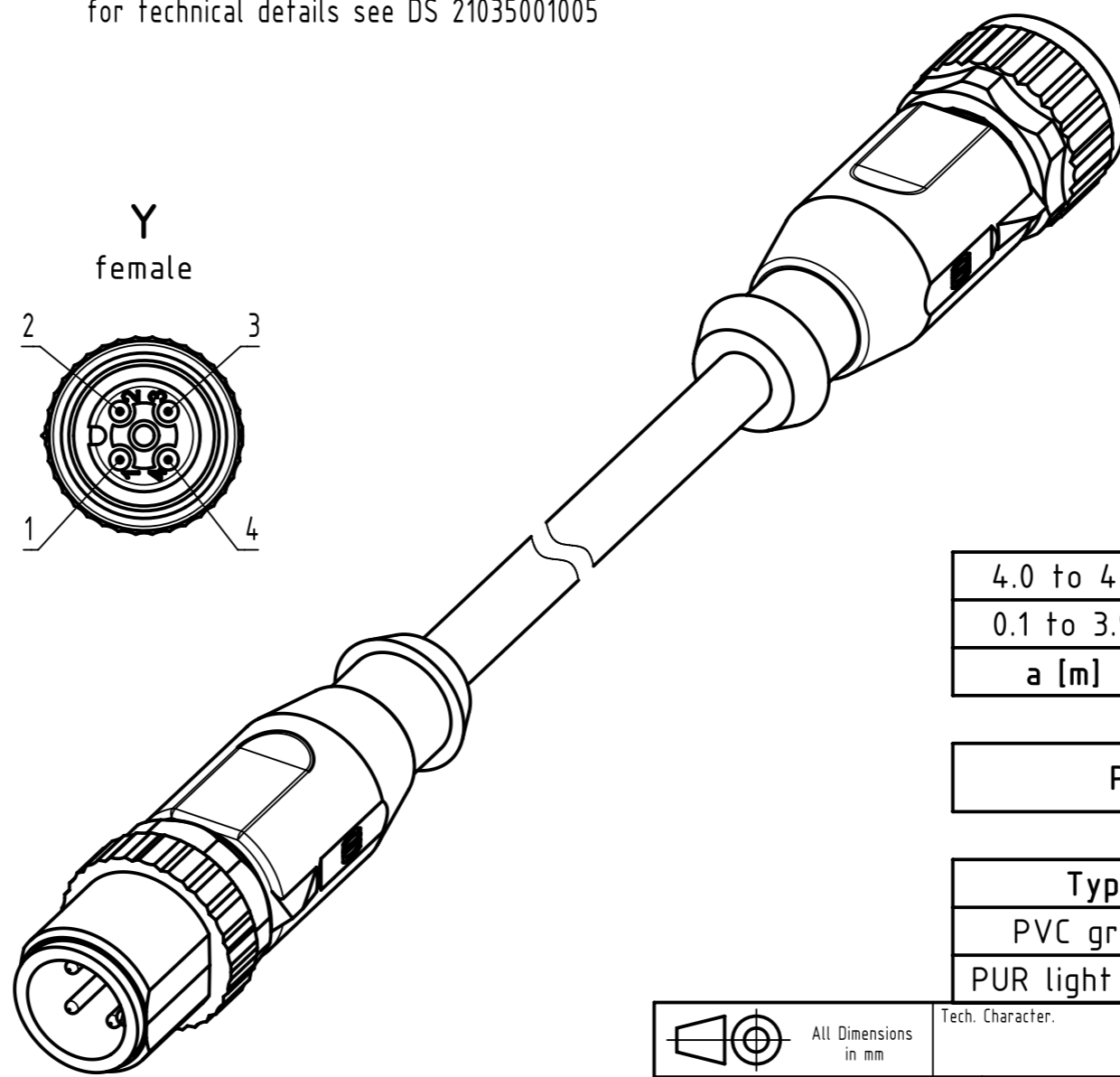
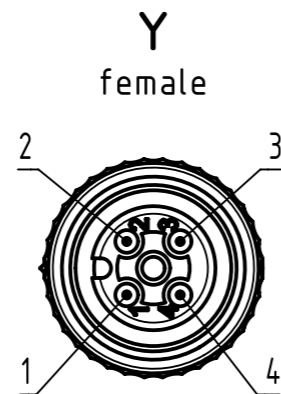
M12 A-coded 4-pole, straight overmolded, unshielded  
for technical details see DS 21035001005

length in "1m" step	40	XXX=400
	39	XXX=390
	.	.
	12	XXX=120
length in "0.1m" step	11	XXX=110
	10	XXX=100
	9.9	XXX=099
	9.8	XXX=098
	.	.
	0.4	XXX=004
	0.3	XXX=003
	0.2	XXX=002
0.1	XXX=001	
Step	a [m]	XXX



Loading-Plan

- 1 brown 1
- 2 white 2
- 3 blue 3
- 4 black 4



4.0 to 40	±1%
0.1 to 3.9	+0.04
a [m]	Tolerance

Part no.	213484854XXXX
Type of cable	XX
PVC grey, 4x0.34mm <sup>2</sup>	XX=84
PUR light grey, 4x0.34mm <sup>2</sup>	XX=61

- Protection level: IP65/67
- Temperature range: -25°C ... +80°C

All rights reserved Department HCS - RO		Created by STOCHECIC Stocheici		Inspected by COSTEA Costea		Standardisation MUNTEANV Munteanv		Date 2018-12-14		State Final Release	
HARTING Customised Solutions D-32339 Espelkamp		Title M12 Cable Assembly A-cod st/st m/f				Doc-Key / ECM-Nr. 100578626/UGD/009/F 500000144869		Rev. F		Page 1/1	
		Type TB		Number 213484854XXXX							

## X-ON Electronics

Largest Supplier of Electrical and Electronic Components

*Click to view similar products for [Sensor Cables / Actuator Cables](#) category:*

*Click to view products by [HARTING](#) manufacturer:*

Other Similar products are found below :

[60963](#) [60964](#) [M83513/19-F01CP](#) [703000D02F2002](#) [703001D02F0602](#) [703001D02F300](#) [704000D02F120](#) [773032K02F030](#) [802027107404-1](#)  
[802027213811-1](#) [804001A09M150](#) [805001A09M0502](#) [84914-0235](#) [84914-0237](#) [885030A09M020](#) [8R4J30E03C3003](#) [1200651332](#)  
[1200651713](#) [1200660844](#) [1200660845](#) [1200661173](#) [1200680071](#) [1200720053](#) [1200720081](#) [1200720099](#) [1200720217](#) [1200800231](#)  
[1200860125](#) [1200870123](#) [1200980102](#) [1200650267](#) [1200650298](#) [1200660183](#) [1200660782](#) [1200660849](#) [1200661295](#) [1200661297](#)  
[1200661342](#) [1200661343](#) [1200670080](#) [1200670220](#) [1200680331](#) [1200720252](#) [1200730184](#) [1200860344](#) [1200870359](#) [1200870643](#)  
[1200980008](#) [1200980031](#) [1210502211](#)