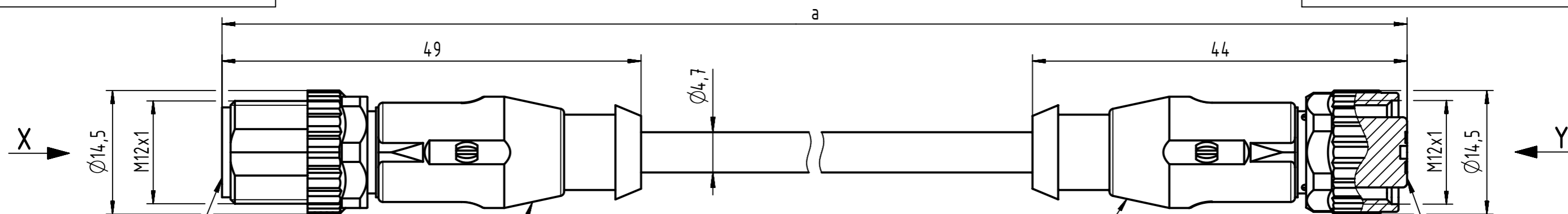


Connector Location A

Connector Location B



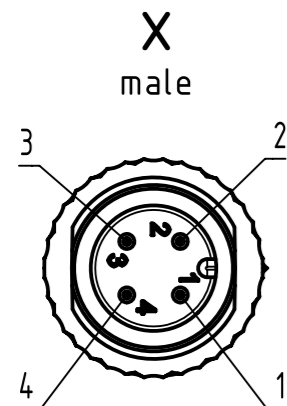
Mating face acc. to IEC 61076-2-101

M12 A-coded 4-pole, straight overmolded, unshielded
for technical details see DS 21035001004

Mating face acc. to IEC 61076-2-101

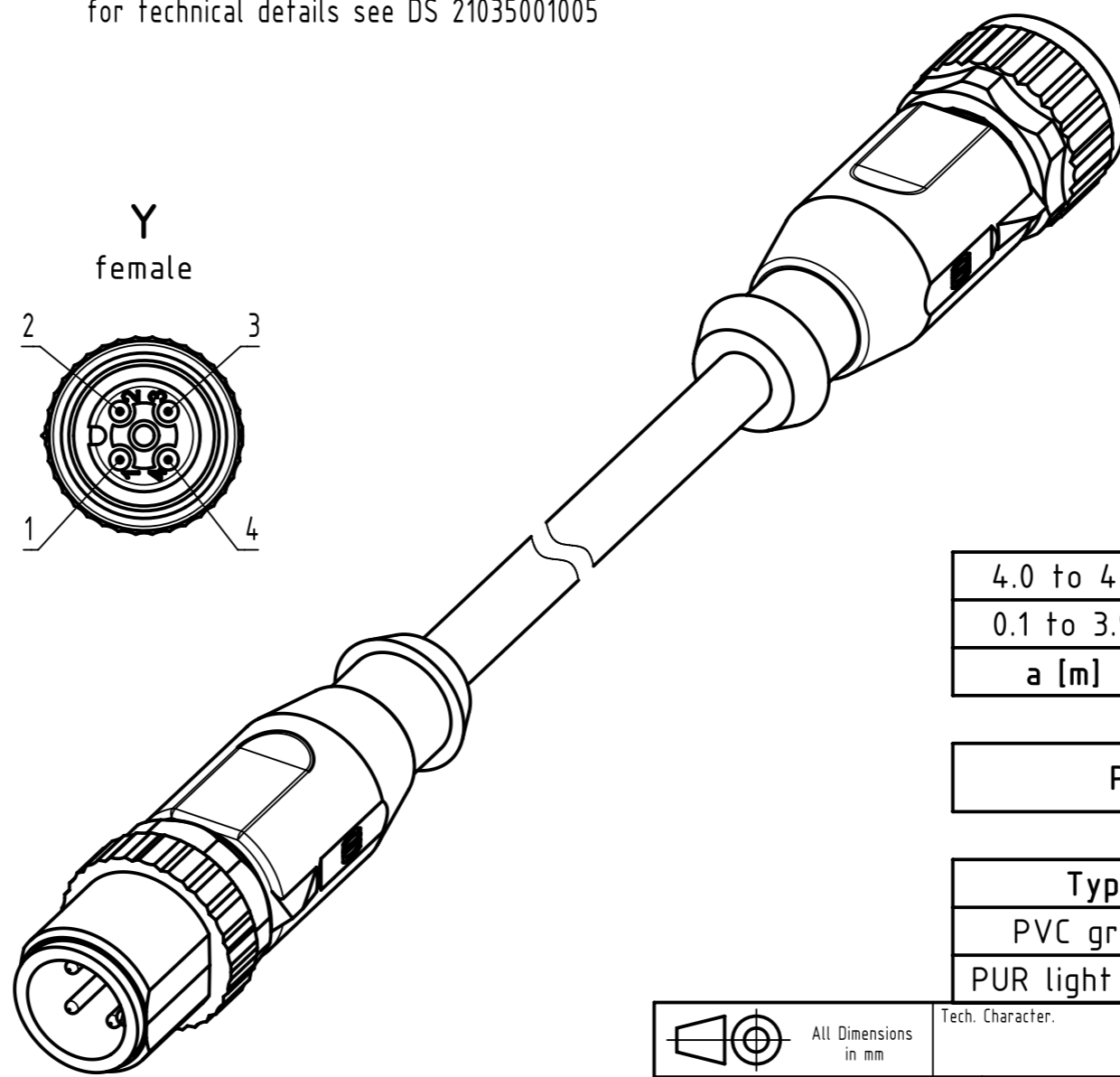
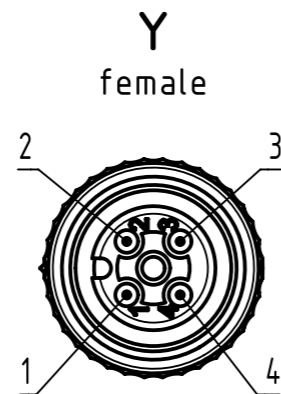
M12 A-coded 4-pole, straight overmolded, unshielded
for technical details see DS 21035001005

length in "1m" step	40	XXX=400
	39	XXX=390
	.	.
	12	XXX=120
length in "0.1m" step	11	XXX=110
	10	XXX=100
	9.9	XXX=099
	9.8	XXX=098
	.	.
	0.4	XXX=004
	0.3	XXX=003
	0.2	XXX=002
0.1	XXX=001	
Step	a [m]	XXX



Loading-Plan

- 1 brown 1
- 2 white 2
- 3 blue 3
- 4 black 4



4.0 to 40	±1%
0.1 to 3.9	+0.04
a [m]	Tolerance

Part no.	213484854XXXX
Type of cable	XX
PVC grey, 4x0.34mm ²	XX=84
PUR light grey, 4x0.34mm ²	XX=61

- Protection level: IP65/67
- Temperature range: -25°C ... +80°C

		All rights reserved Department HCS - RO		Created by STOCEVIC Stoceci		Inspected by COSTEA Costea		Standardisation MUNTEANV Muntean		Date 2018-12-14		State Final Release	
HARTING Customised Solutions D-32339 Espelkamp				Title M12 Cable Assembly A-cod st/st m/f				Doc-Key / ECM-Nr. 100578626/UGD/009/F 500000144869					
Type TB		Number 213484854XXXX		Rev. F		Page 1/1							

X-ON Electronics

Largest Supplier of Electrical and Electronic Components

Click to view similar products for [Ethernet Cables / Networking Cables](#) category:

Click to view products by [HARTING](#) manufacturer:

Other Similar products are found below :

[73-6670-7](#) [73-6680-15](#) [73-7797-25](#) [MCJB2-10P6Q7-120](#) [84909-0204](#) [1200700174](#) [1200860368](#) [E16A06002M030](#) [E200102-009-S1](#)
[AX105346-EW](#) [MT14-187L](#) [17-103530](#) [ERWPAB3002M005](#) [190-038045-01](#) [NK5EPC18RDY](#) [NK5EPC18VLY](#) [NK5EPC18YLY](#)
[NK5EPC1GRY](#) [NK5EPC4Y](#) [NK5EPC6YLY](#) [NK5EPC8BLY](#) [NK5EPC9YLY](#) [1969343-6](#) [C501100010](#) [C501106002](#) [C501106007](#)
[C501106015](#) [C501106025](#) [C601102010](#) [C601104010](#) [C601106007](#) [C601106015](#) [2142758-2](#) [2168427-2](#) [CAT1106007](#) [21949-1](#) [2J1866A](#)
[RJF SFTP 5E 0500](#) [AX100351](#) [MN14CEC/ST](#) [C501100015](#) [C501106004](#) [C501106010](#) [C5F1108007](#) [C601104004](#) [C601106004](#)
[CA21106004](#) [CA21106010](#) [CA21106015](#) [CA21109007](#)