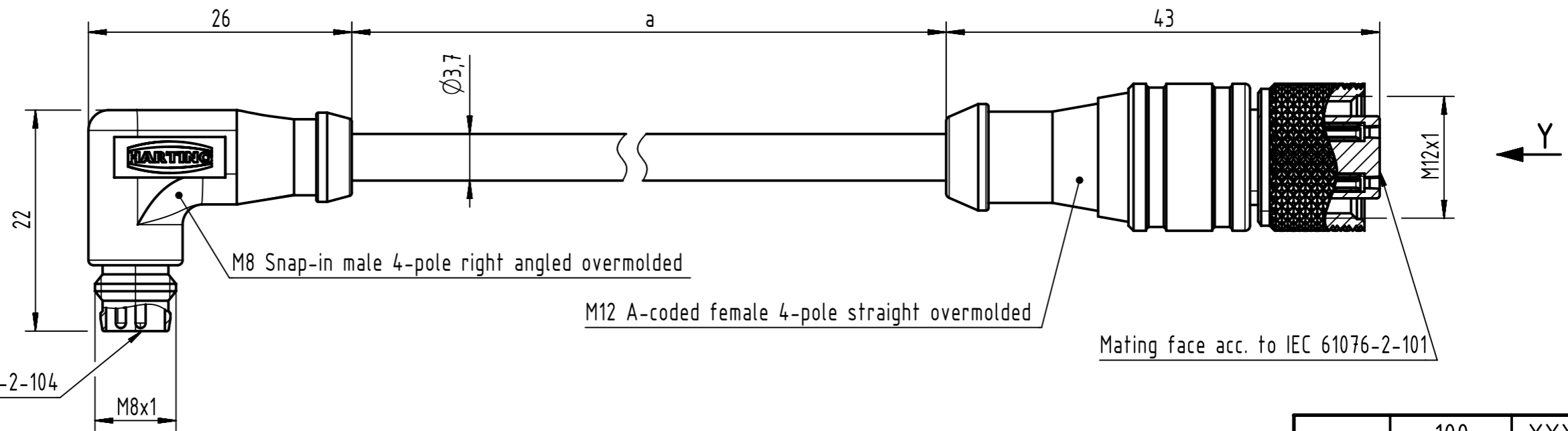


Connector Location A

Connector Location B



Mating face acc. to IEC 61076-2-104

M8x1

M12 A-coded female 4-pole straight overmolded

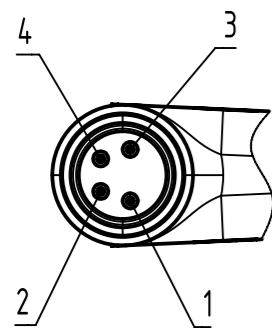
Mating face acc. to IEC 61076-2-101

M12x1

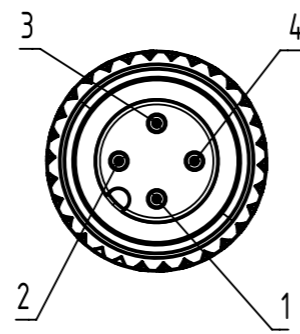
X

Y

Loading-Plan:



- 1 — Brown — 1
- 2 — White — 2
- 3 — Blue — 3
- 4 — Black — 4



length in "1m" step	100	XXX=000
	99	XXX=990
	.	.
	12	XXX=120
	11	XXX=110
length in "0.1m" step	10	XXX=100
	9.9	XXX=099
	9.8	XXX=098
	.	.
	0.5	XXX=005
	0.4	XXX=004
	0.3	XXX=003
	0.2	XXX=002
Step	a [m]	XXX

6.0 to 100	±1%
0.6 to 5.9	+0.04
0.2 to 0.5	+0.02
a [m]	Tolerance

4x0.25mm ² , PUR, black	2136D3D4428XXX
Type of cable	Part no.

- Protection level: IP 65
- Temperature range: -40°C...+85°C

All Dimensions in mm		Tech. Character.		Free size tol.		According to production drawing	
All rights reserved Department HCS - RO	Created by MUNTEANV Muntean	Inspected by MUNTEANV Muntean	Standardisation MUNTEANV Muntean	Date 2018-06-08	State Final Release		
	Title M8 Cable Assembly			Doc-Key / ECM-Nr. 100710199/UGD/000/C 500000136135		Rev.	Page
HARTING Customised Solutions D-32339 Espelkamp		Type TB	Number 2136D3D4428XXX		C	1/1	

X-ON Electronics

Largest Supplier of Electrical and Electronic Components

Click to view similar products for [Sensor Cables / Actuator Cables](#) category:

Click to view products by [HARTING](#) manufacturer:

Other Similar products are found below :

[60963](#) [60964](#) [703000D02F2002](#) [703001D02F0602](#) [703001D02F300](#) [704000D02F120](#) [773032K02F030](#) [802027107404-1](#) [802027213811-1](#)
[804001A09M150](#) [805001A09M0502](#) [84914-0235](#) [84914-0237](#) [885030A09M020](#) [8R4J30E03C3003](#) [1200651332](#) [1200651713](#) [1200660844](#)
[1200660845](#) [1200661173](#) [1200680071](#) [1200720053](#) [1200720081](#) [1200720099](#) [1200720217](#) [1200800231](#) [1200860125](#) [1200870123](#)
[1200980102](#) [1200650267](#) [1200650298](#) [1200660183](#) [1200660782](#) [1200660849](#) [1200661295](#) [1200661297](#) [1200661342](#) [1200661343](#)
[1200670080](#) [1200670220](#) [1200680331](#) [1200720252](#) [1200730184](#) [1200860344](#) [1200870359](#) [1200870643](#) [1200980008](#) [1200980031](#)
[1210502211](#) [1210400542](#)