

# Ha-VIS eCon 3000

## Fast Ethernet Basic

### PoE / PoE+



**5 to 8 Ethernet ports RJ45, SC and PoE / PoE+**  
 Unmanaged Plug & Play Ethernet switches for DIN rail assembly in control cabinets  
 Commercial Temp.: 0 °C ... +55 °C / Industrial Temp.: -40 °C ... +70 °C

- Energy supply of up to 4 terminal devices via PoE+ (137 watts) according to IEEE 802.3at
- Fast Ethernet Non-Blocking Switch architecture according to IEEE 802.3
- Variants with industrial temperature range of -40°C ... +70 °C
- Surge protection and reverse polarity protection
- Minimum energy consumption due to Energy-Efficient Ethernet
- Optimised DIN rail bracket

#### Target markets

Machinery & Robotics	Automation technology	Industrial network infrastructures
Wind Energy Solar Energy	Transportation	Shipbuilding



### General description

The Ha-VIS eCon 3000 Fast Ethernet PoE family of unmanaged Ethernet switches is equipped with up to 8 Fast Ethernet ports and allow for cost-efficient and quick expansion and/or reconstruction of network infrastructures. The switches work as power sourcing equipment (PSE) and are capable of simultaneously providing the full PoE output of 34.2 watts on up to four ports. The slender design of the switches enables an

extremely high packing density on the DIN rail. The selection includes various combinations of variants with RJ45 and fibre optic ports. Automatic detection of the transmission rate (auto-negotiation) and of the wiring of the twisted pair data cable (autopolarity and auto-MDI(X)) allow for simple plug & play. All variants are available with the temperature ranges „Industrial“ and „Commercial“.

### Technical characteristics

#### Switch Features

Enclosures width	25 mm	
Number of ports	5, 6, 7, 8	
Switching technology	Store and Forward	
Supported standards	IEEE 802.3	
Frame Size	1522 bytes	
MAC table size	1k entries	
Packet buffer size	448 kbit	
Non-blocking	Yes	
Quality of service	Yes	
Energy-Efficient Ethernet	Yes	
PROFINET compatible	Yes	
EthernetIP compatible	Yes	

#### Voltage supply

Nominal voltage	48 VDC $\equiv$	54 VDC $\equiv$
Permissible voltage range	44 VDC ... 57 VDC $\equiv$	50 VDC ... 57 VDC $\equiv$
Surge protection	Yes	
Reverse polarity proof	Yes	
Starting current	6.40 A	7.20 A
Overcurrent protection at input	Yes (12 A)	
Max. power consumption without PoE	1.92 W ... 3.60 W	
Cross-section / Wire gauge	0.08 mm <sup>2</sup> ... 2.5 mm <sup>2</sup> (28 AWG ... 12 AWG)	
Connection type	3-pole, pluggable screwed contact	
Pinout	+ / - / $\oplus$	
Supply circuit (acc. to 60950)	SELV (circuit breaker 10 A)	

#### Ethernet Ports 10BASE-Te / 100BASE-TX

Connection type	RJ45
Auto-negotiation	Yes
Auto-polarity	Yes
Auto-MDI(X)	Yes
Transfer conditions	Twisted Pair
Transfer speed	10 / 100 Mbit/s
Transfer length	100 m (twisted pair, Cat 5)

#### Ethernet Ports 100BASE-FX

Type of fibre	Multimode (MM)	Singlemode (SM)
Connection type	SC Duplex	
Transfer conditions	FO	
Wavelength	1310 nm	
Transfer speed	100 Mbit/s	
Transfer length	2 km	15 km
Output power	-20 dBm ... -14 dBm	-15 dBm ... -8 dBm
Input sensitivity	≤ -30 dBm	≤ -32 dBm

#### Ambient conditions

Commercial temperature range	0 °C ... +55 °C
Industrial temperature range	-40 °C ... +70 °C
Storage temperature range	-40 °C ... +85 °C
Relative humidity (operation)	0 % ... 95 % (not-condensing)
Relative humidity (storage and transport)	0 % ... 95 % (not-condensing)
Air pressure (operation)	2000 m (795 hPa)



**HARTING Technology Group**  
 P.O.Box 1473, D-32325 Espelkamp  
 Wilhelm-Harting-Straße 1, D-32325 Espelkamp, Germany

ICPN-Service@harting.com | Service hotline: +49 5772 47-9479  
 Fax: +49 5772 47-495 | www.HARTING.com/de/ethernet-switches

**Note:** We reserve the right to make technical changes to the products and to the content of this document at any time without prior notification. The HARTING Technologiegruppe does not accept any responsibility for possible errors or incompleteness in this document. We reserve all the rights to this document and the topics and illustrations contained within it. Copying, disclosure to third parties or use of its content - even partially - is forbidden without the prior written consent of the HARTING Technologiegruppe.

PoE	PoE	PoE+
<b>Number of PoE ports</b>	4	
<b>Standard</b>	IEEE 802.3af / IEEE 802.3at	
<b>PoE type</b>	PSE	
<b>Supported mode</b>	Alternative A	
<b>Supply voltage PSE</b>	48 VDC $\equiv$	54 VDC $\equiv$
<b>Max. current consumption PSE</b>	1380 mA	2380 mA
<b>Max. current</b>	375 mA	638 mA
<b>Maximum output power PSE</b>	15.4 W per port 61.6 W total	34.2 W per port 136.8 W total
<b>Supported cabling</b>	See 802.3at, section 33.1.4	
<b>PoE pinout</b>	Alternative A, MDI-X (1/2 = V-, 3/6 = V+)	

**Status and diagnostic displays**

<b>Power („Pwr“) <math>\odot</math> lights up green</b>	Supply voltage is applied
<b>Link/Activity („L/A“) off</b>	No link
<b>Link/Activity („L/A“) lights up green</b>	Link is active
<b>Link/Activity („L/A“) lights up green</b>	Link is active and data is transferred
<b>Link speed („Spd“) off</b>	10 Mbit/s
<b>Link speed („Spd“) lights up yellow</b>	100 Mbit/s
<b>PoE status <math>\text{light}</math> off</b>	PoE is inactive / low voltage
<b>PoE status <math>\text{light}</math> lights up green</b>	Voltage in PoE range
<b>PoE status <math>\text{light}</math> lights up blue</b>	Voltage in PoE+ range
<b>PoE status <math>\text{light}</math> lights up red</b>	Error

**Enclosures**

<b>Enclosures width</b>	<b>25 mm</b>
<b>Dimensions H x W x D (without pluggable screw contact and holding bracket)</b>	142 mm x 25 mm x 107.5 mm
<b>Weight</b>	480 g ... 508 g
<b>Type of installation</b>	35 mm DIN rail acc. to EN 60 715
<b>Material enclosures</b>	Anodised aluminium / Powder-coated steel sheet
<b>Protection degree (with plugged screw contact)</b>	IP30
<b>Degree of protection</b>	III

**Approvals**

CE, FCC CFR 47 Part 15, cUL US 508 listed, DNV GL, LR, NK, ABB IIT ECE - Approval mark (E1): see table technical characteristics

**EMC and environmental conditions**

**EMC Interference immunity (EN 61000-6-1, 61 000-6-2 55024)**

Electrostatic discharge (ESD) EN 61 000-4-2  
Electromagnetic field EN 61 000-4-3  
Rapid transients (burst) EN 61 000-4-4  
Surge voltages EN 61 000-4-5  
Conducted interference voltages EN 61 000-4-6

**EMC Interference emission (EN 61000-6-4, EN 55 032, FCC CFR 47 Part 15)**

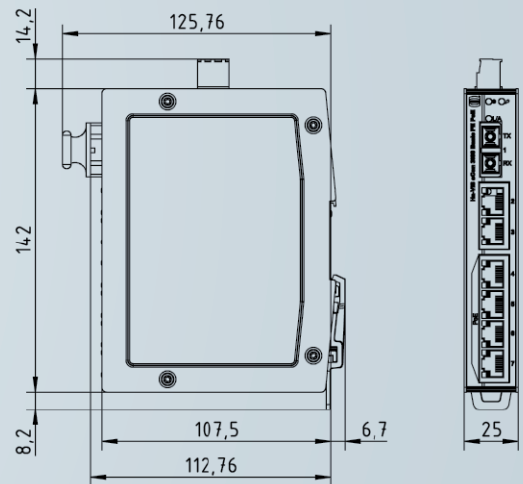
**Mechanical stability (EN 60721-3)**

IEC 60068-2-6 Vibration  
IEC 60068-2-6 Vibration resonance search  
IEC 60068-2-27 Shock test

**Included in delivery**

- Pluggable screw contact for voltage supply
- Assembly instruction

**Drawings**



**Technical characteristics / order information**

**Ports / order information**

RJ45	SFP	SC	Enclosures width	Current consumption@ 54 VDC with PoE	MTBF in Mio. h	Commercial Temp.: 0 °C ... +55 °C		Industrial Temp.: -40 °C ... +70 °C	
						Switch	Part no.	Switch	Part no.
4	-	1x MM (2 km)	25 mm	2.41 A	1.19	Ha-VIS eCon 3041B-AD-P	24 03 004 1130	Ha-VIS eCon 3041BT-AD-P	24 03 004 1120
4	-	1x SM (15 km)	25 mm	2.41 A	1.19	Ha-VIS eCon 3041B-AF-P	24 03 004 1230	Ha-VIS eCon 3041BT-AF-P	24 03 004 1220
4	-	2x MM (2 km)	25 mm	2.43 A	1.17	Ha-VIS eCon 3042B-AD-P	24 03 004 2130	Ha-VIS eCon 3042BT-AD-P	24 03 004 2120
4	-	2x SM (15 km)	25 mm	2.43 A	1.17	Ha-VIS eCon 3042B-AF-P	24 03 004 2230	Ha-VIS eCon 3042BT-AF-P	24 03 004 2220
6	-	-	25 mm	2.40 A	1.18	Ha-VIS eCon 3060B-A-P	24 03 006 0030 <sup>1</sup>	Ha-VIS eCon 3060BT-A-P	24 03 006 0020 <sup>1</sup>
6	-	1x MM (2 km)	25 mm	2.42 A	1.15	Ha-VIS eCon 3061B-AD-P	24 03 006 1130	Ha-VIS eCon 3061BT-AD-P	24 03 006 1120
6	-	1x SM (15 km)	25 mm	2.42 A	1.15	Ha-VIS eCon 3061B-AF-P	24 03 006 1230	Ha-VIS eCon 3061BT-AF-P	24 03 006 1220
8	-	-	25 mm	2.40 A	1.14	Ha-VIS eCon 3080B-A-P	24 03 008 0030 <sup>1</sup>	Ha-VIS eCon 3080BT-A-P	24 03 008 0020 <sup>1</sup>

<sup>1</sup>E1 Approval

## X-ON Electronics

Largest Supplier of Electrical and Electronic Components

*Click to view similar products for [Headers & Wire Housings](#) category:*

*Click to view products by [HARTING](#) manufacturer:*

Other Similar products are found below :

[892-18-020-10-001101](#) [58102-G61-06LF](#) [582553-1](#) [0009485154](#) [009176003701906](#) [0050291907](#) [LY20-4P-DT1-P1E-BR](#) [02.125.8002.8](#)  
[609-3404](#) [61062-3](#) [622-0430](#) [622-3653LF](#) [63453-116](#) [636-1030](#) [636-1427](#) [636-3427](#) [636-4007](#) [641938-9](#) [641991-4](#) [644827-2](#) [65817-010LF](#)  
[65817-015LF](#) [65863-015LF](#) [66207-023LF](#) [67095-007LF](#) [67601157](#) [68648-049](#) [70.362.1628.0](#) [70-4210](#) [70-4226B](#) [70-4853B](#) [707-5020](#) [707-](#)  
[5028](#) [71.350.2428.0](#) [71918-208LF](#) [71961-016LF](#) [733-134](#) [733-162](#) [754199-000](#) [760-3052](#) [787-8014-00](#) [79531-3000](#) [FCN-360C032-B](#) [FCN-](#)  
[367T-T012/H](#) [FCN-723D010/2](#) [80.063.4001.1](#) [800-90-001-10-001000](#) [800-90-010-10-002000](#) [801-43-002-10-013000](#) [801-43-006-10-002000](#)