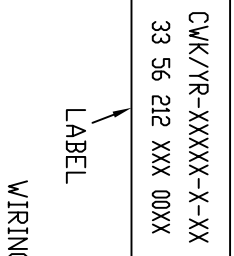
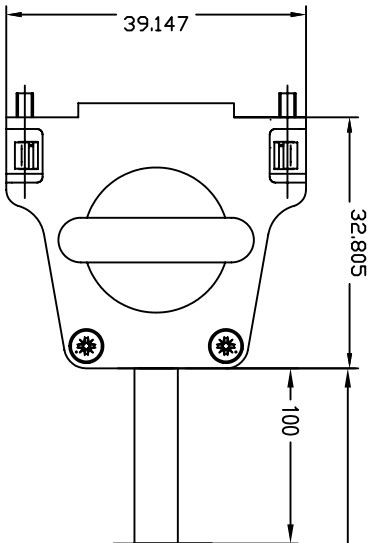
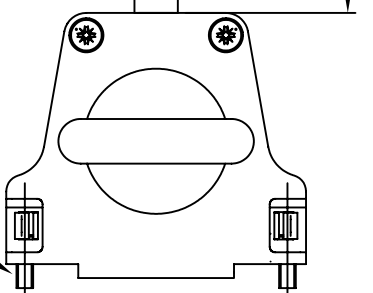


HD D-sub 44P male connector

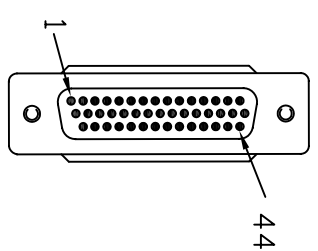


WIRING TABLE

24P×26AWG double shield HF cable



#4-40 UNC screw



HD D-sub 44P male connector

PAIR No.	C.1	C.2
1	1	1
1	6	6
2	2	2
2	3	3
3	4	4
3	5	5
4	7	7
4	8	8
5	9	9
5	12	12
6	10	10
6	11	11
7	13	13
7	14	14
8	15	15
8	30	30
9	16	16
9	21	21
10	17	17
10	18	18
11	19	19
11	20	20
12	22	22
12	23	23
13	24	24
13	31	31

PAIR No.	C.1	C.2
14	25	25
14	26	26
15	27	27
15	42	42
16	28	28
16	29	29
17	32	32
17	33	33
18	34	34
18	35	35
19	36	36
19	39	39
20	37	37
20	38	38
21	40	40
21	41	41
22	43	43
22	44	44
23	NC	NC
23	NC	NC
24	NC	NC
24	Shell/shell	NC

NOTES:
 1.) CABLE MUST BE PERFORMED CONTINUITY TEST AND HI-PDT TEST.
 2.) WHITE LABEL CONTENT:

DATE CODE & LOT INFORMATION
 HARTING P/N

3.) THE CABLE SHOULD BE PACKED BY THE PLASTIC BAG AND STICK THE LABEL WITH P/N CONTENT ON IT, THEN PUT IT INTO THE CARTON (THE QTY ACCORDING TO ACTUAL CONDITION)
 4.) EXPORT CARTON SHOULD BE STICKED THE LABEL WITH P/N AND QTY CONTENT.

33 56 212 200 0036	20 m
33 56 212 100 0035	10 m
33 56 212 050 0034	5 m
33 56 212 010 0033	1 m
33 56 212 005 0032	0.5 m

Part-No.

Dim.L

All Dimensions in mm Original Size DIN A 3	Techn. Character.			Scale	Free size tolerances
	Mod.	Det.	None		

Mod.	Det.	None	ZHUHAI HARTING LIMITED		TB	33 56 0006.00	Page

Mod.	Det.	None	Scale	Free size tolerances
	09/11/08	Andrew.H	/	HD D-sub 44P MALE OVERMOLDING DOUBLE END CABLE ASSEMBLY, L=XM

X-ON Electronics

Largest Supplier of Electrical and Electronic Components

Click to view similar products for [D-Sub Cables](#) category:

Click to view products by [HARTING](#) manufacturer:

Other Similar products are found below :

[1200980218](#) [1200980067](#) [RB09P09P-006](#) [RB09P09P-012](#) [RB15P15P-006](#) [RB25P25P-006](#) [RB25P25P-012](#) [RB37P37P-024](#) [172-0906](#)
[SHD15P15S-012](#) [SHD15P15S-036](#) [SHD15P15S-060](#) [ACL-10137-2MM](#) [RB09P09P-024](#) [319285-3](#) [RS422-OM2](#) [SHD26P26S-060](#)
[SHD44P44S-036](#) [73-6210MM-6](#) [C200H-CN320-EU](#) [49725A 060S2](#) [73231-1321](#) [SDB-50AFFM-SL7A02](#) [49760A 060S2](#) [CS-](#)
[DSDMDB09MM-050](#) [HDB-26AFFM-SL7A02](#) [30-9503P](#) [30-9522P](#) [73-6220MM-6](#) [1200980058](#) [1200980066](#) [1200980078](#) [1200980052](#)
[1200980093](#) [1200980028](#) [1200980021](#) [1200980127](#) [SDB-09AFFM-SL7A02](#) [SDB-15AMMM-SL7A01](#) [BB-LDVYCBL](#) [83421-9286](#)
[MLDM2L-21P-6K7-18B](#) [KSFD1](#) [MM-2J2-021-SS1-41WN](#) [HDB-78AMMM-SL7A05](#) [SDB-37AMMM-SL7A03](#) [SDB-15AFFM-SL7A05](#)
[ACC-500-163-R](#) [172-1910](#) [2900907/21.4](#)