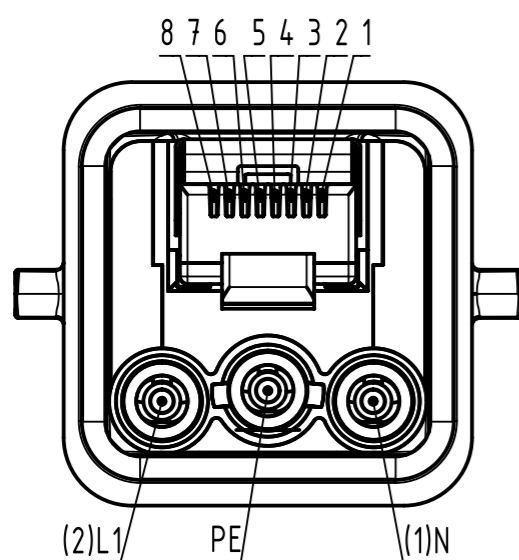
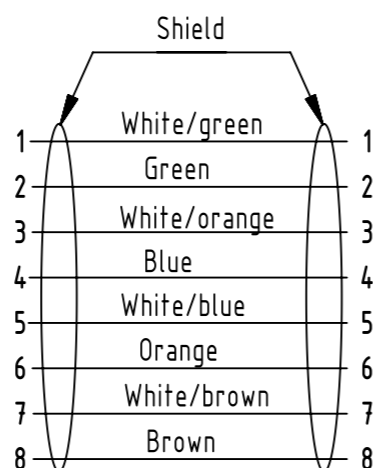


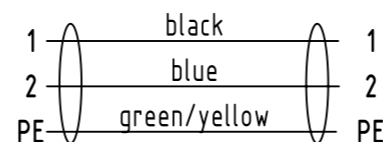
X (2:1)



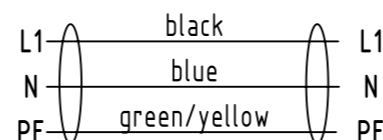
Loading-Plan (Data)



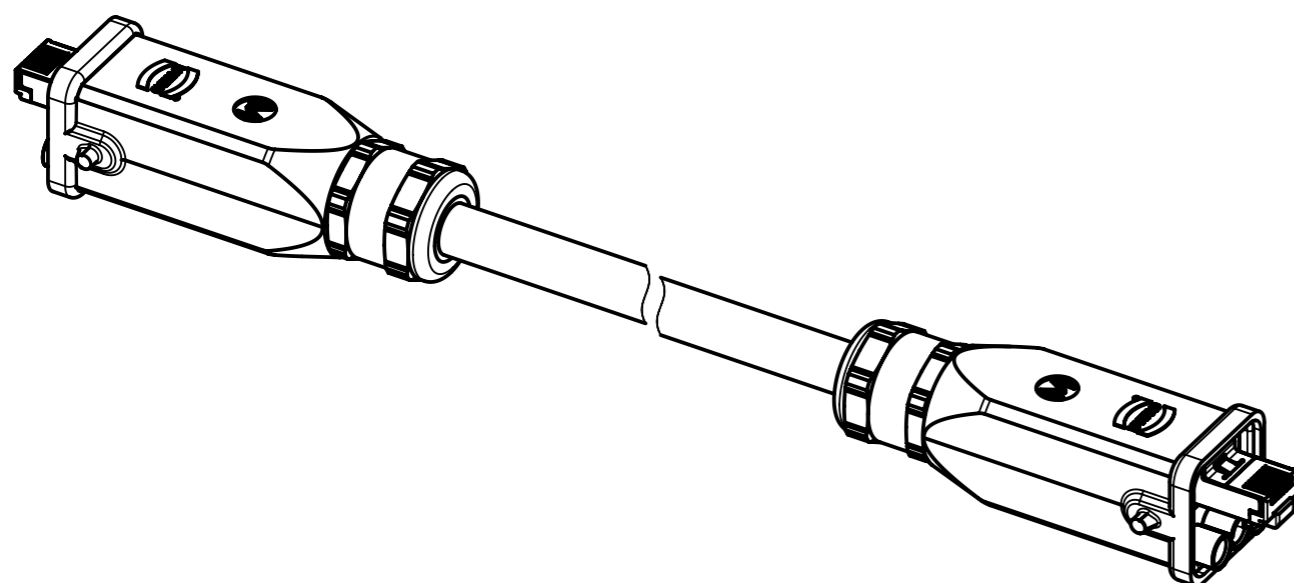
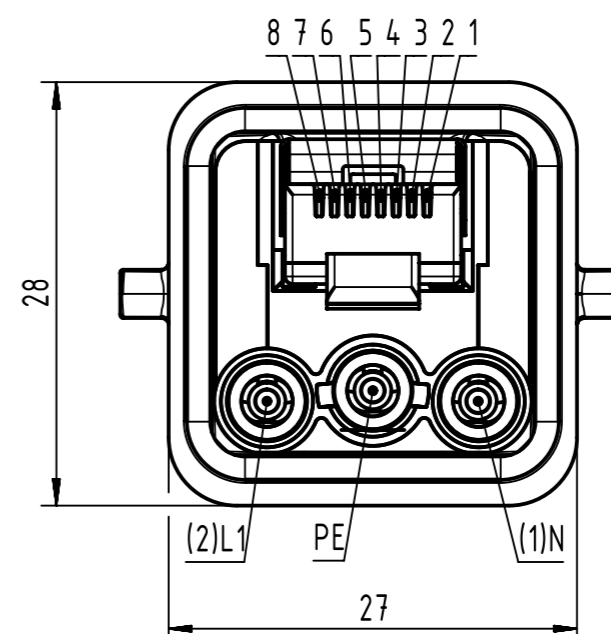
Loading-Plan (Power-DC version)



Loading-Plan (Power-AC version)




Y (2:1)



- Data transmission properties in accordance with ISO/IEC 11801: Class D
- Protection level: IP67/65
- Temperature range: -30°C ... +70°C

	All rights reserved	Created by	Inspected by	Standardisation	Date	State	
	Department EC PD - RO	TAMAS	AVRAM	HOFFMANN	2014-01-24	Final Release	
HARTING Electronics GmbH		Title				Doc-Key / ECM-Nr.	
D-32339 Espelkamp		Han 3A RJ45 Hybrid Cable Assembly				100154019/UGD/013/B 50000069669	
		Type	Number		Rev.	Page	
		TB	33572110XX000X		B	1/2	

Cont. no.	Part-no.	Type of cable	Dim. a[m]
25	33572110950001	Hybrid cable 4x2AWG26/7+3x2.5 sqmm, 2xHan 3A, AC	95
24	33572110850001		85
23	33572110750001		75
22	33572110700001		70
21	33572110660001		66
20	33572110550001		55
19	33572110520001		52
18	33572110500002		50
17	33572110420001		42
16	33572110400001		40
15	33572110300001	30	
14	33572110200002	Hybrid cable 4x2AWG26/7+3x2.5 sqmm, 2xHan 3A, DC	20
13	33572110200001	Hybrid cable 4x2AWG26/7+3x2.5 sqmm, 2xHan 3A, AC	20
12	33572110180001		18
11	33572110150001		15
10	33572110100002	Hybrid cable 4x2AWG26/7+3x2.5 sqmm, 2xHan 3A, DC	10
9	33572110100001	Hybrid cable 4x2AWG26/7+3x2.5 sqmm, 2xHan 3A, AC	10
8	33572110060002	Hybrid cable 4x2AWG26/7+3x2.5 sqmm, 2xHan 3A, DC	6
7	33572110050002		5
6	33572110050001	Hybrid cable 4x2AWG26/7+3x2.5 sqmm, 2xHan 3A, AC	5
5	33572110040001		4
4	33572110030002		3
3	33572110020002	Hybrid cable 4x2AWG26/7+3x2.5 sqmm, 2xHan 3A, DC	2
2	33572110010002		1
1	33572110010001	Hybrid cable 4x2AWG26/7+3x2.5 sqmm, 2xHan 3A, AC	1

	All Dimensions in mm Original Size DIN A3	Scale 1:1	Free size tol.	Ref.
	All rights reserved Department EC PD - RO	Created by TAMAS	Inspected by AVRAM	Standardisation HOFFMANN
HARTING Electronics GmbH D-32339 Espelkamp		Title Han 3A RJ45 Hybrid Cable Assembly		Date 2014-01-24
		Type TB	Number 33572110XX000X	State Final Release
				Doc-Key / ECM-Nr. 100154019/UGD/013/B 50000069669
				Rev. <b>B</b> Page 2/2

## X-ON Electronics

Largest Supplier of Electrical and Electronic Components

*Click to view similar products for [Fibre Optic Cable Assemblies](#) category:*

*Click to view products by [HARTING](#) manufacturer:*

Other Similar products are found below :

[7-21002-9](#) [760-1518](#) [FA04390-50-M-72-LC-N](#) [MLB 501 V RED](#) [MLB 501 V YELLOW](#) [1-3636-600-5208](#) [2061529-7](#) [1-6693182-0](#)  
[1754898-1](#) [21055-6](#) [FXBSCSCE2LM002](#) [3-21053-2](#) [MLB 200/1 V BLACK](#) [MLB 2001 V RED](#) [MLB 2001 V YELLOW](#) [MLB 501 V](#)  
[BLACK](#) [5492011-6](#) [106284-7000](#) [5492011-5](#) [5492011-8](#) [5492011-9](#) [8-21007-5](#) [2123524-2](#) [2123524-1](#) [106386-4447](#) [DFSM-SCSC-2M](#)  
[2123909-4](#) [2123909-8](#) [106273-0629](#) [2125046-1](#) [2821236-3](#) [2821310-2](#) [2821310-3](#) [2821313-4](#) [FX2ERLNLNSNM0.5](#) [CF-980062-074](#) [CF-](#)  
[901200-394](#) [CF-980062-073](#) [CF-980062-071](#) [CF-980062-075](#) [CF-980062-072](#) [17-300310-100](#) [2821236-2](#) [2821313-1](#) [G-FC-FC-S-002.0-DX-](#)  
[A-18-Y](#) [G-E2A-E2A-S-003.0-SX-A-18-Y](#) [956-322-502214](#) [FA04474](#) [1111540](#) [1111843](#)