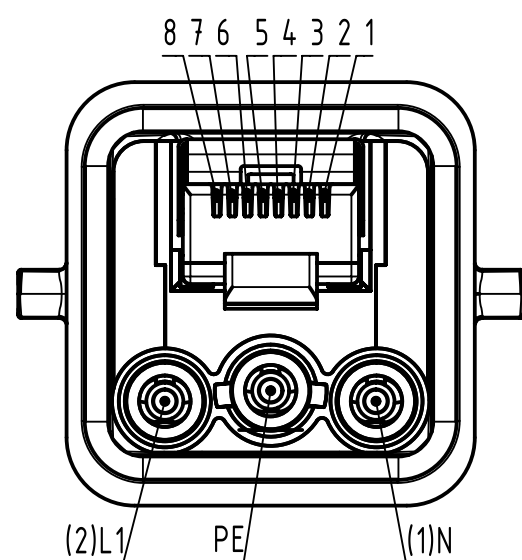
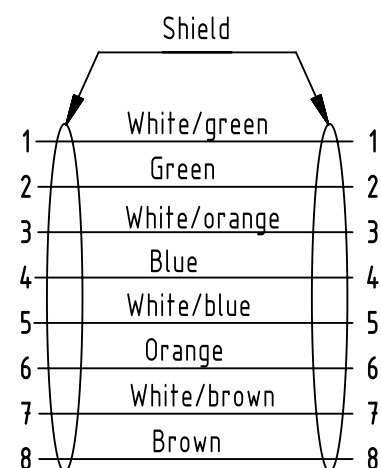


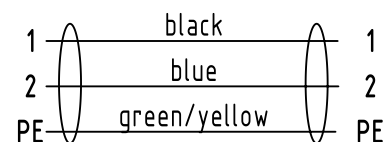
X (2:1)



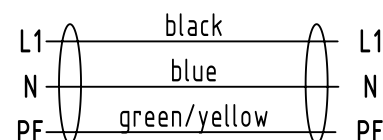
Loading-Plan (Data)



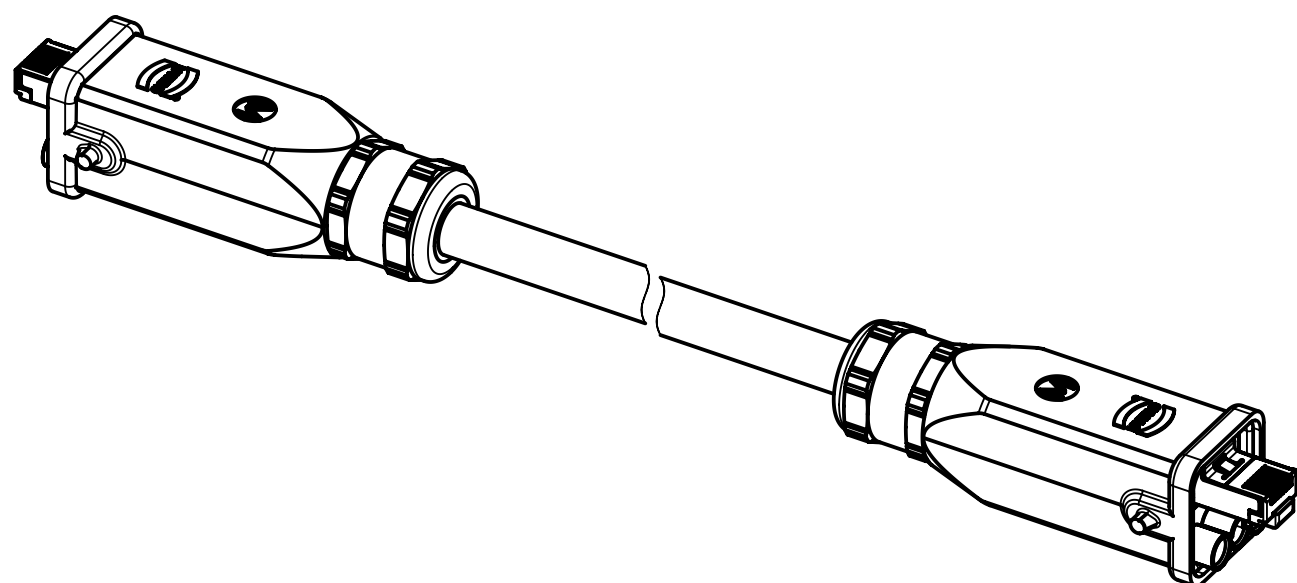
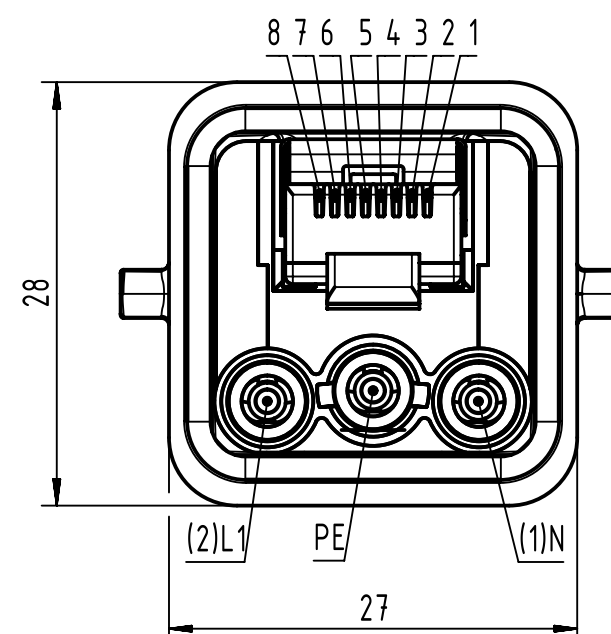
Loading-Plan (Power-DC version)



Loading-Plan (Power-AC version)



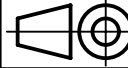
Y (2:1)



- Data transmission properties in accordance with ISO/IEC 11801: Class D
- Protection level: IP67/65
- Temperature range: -30°C ... +70°C

	All rights reserved	Created by	Inspected by	Standardisation	Date	State
	Department EC PD - RO	TAMAS	AVRAM	HOFFMANN	2014-01-24	Final Release
HARTING Electronics GmbH D-32339 Espelkamp		Title Han 3A RJ45 Hybrid Cable Assembly			Doc-Key / ECM-Nr. 100154019/UGD/013/B 50000069669	
		Type	Number	Rev. B		Page
		TB	33572110XX000X			1/2

1	2	3	4	5	6	7	8
A							
B							
C							
D							
E							
F							
25	33572110950001	Hybrid cable 4x2AWG26/7+3x2.5 sqmm, 2xHan 3A, AC	95				
24	33572110850001		85				
23	33572110750001		75				
22	33572110700001		70				
21	33572110660001		66				
20	33572110550001		55				
19	33572110520001		52				
18	33572110500002		50				
17	33572110420001		42				
16	33572110400001		40				
15	33572110300001	30					
14	33572110200002	Hybrid cable 4x2AWG26/7+3x2.5 sqmm, 2xHan 3A, DC	20				
13	33572110200001	Hybrid cable 4x2AWG26/7+3x2.5 sqmm, 2xHan 3A, AC	20				
12	33572110180001		18				
11	33572110150001		15				
10	33572110100002	Hybrid cable 4x2AWG26/7+3x2.5 sqmm, 2xHan 3A, DC	10				
9	33572110100001	Hybrid cable 4x2AWG26/7+3x2.5 sqmm, 2xHan 3A, AC	10				
8	33572110060002	Hybrid cable 4x2AWG26/7+3x2.5 sqmm, 2xHan 3A, DC	6				
7	33572110050002		5				
6	33572110050001	Hybrid cable 4x2AWG26/7+3x2.5 sqmm, 2xHan 3A, AC	5				
5	33572110040001		4				
4	33572110030002		3				
3	33572110020002	Hybrid cable 4x2AWG26/7+3x2.5 sqmm, 2xHan 3A, DC	2				
2	33572110010002	Hybrid cable 4x2AWG26/7+3x2.5 sqmm, 2xHan 3A, AC	1				
1	33572110010001		1				
Cont. no.	Part-no.	Type of cable	Dim. a[m]				

	All Dimensions in mm Original Size DIN A3	Scale 1:1	Free size tol.	Ref.	
	All rights reserved Department EC PD - RO	Created by TAMAS	Inspected by AVRAM	Standardisation HOFFMANN	Date 2014-01-24
HARTING Electronics GmbH D-32339 Espelkamp		Title Han 3A RJ45 Hybrid Cable Assembly			State Final Release
		Type TB	Number 33572110XX000X	Doc-Key / ECM-Nr. 100154019/UGD/013/B 50000069669	Rev. B
				Page 2/2	

X-ON Electronics

Largest Supplier of Electrical and Electronic Components

Click to view similar products for [Fibre Optic Cable Assemblies](#) category:

Click to view products by [HARTING](#) manufacturer:

Other Similar products are found below :

[7-21002-9](#) [760-1518](#) [FA04390-50-M-72-LC-N](#) [MLB 501 V RED](#) [MLB 501 V YELLOW](#) [1-3636-600-5208](#) [2061529-7](#) [1-6693182-0](#)
[1754898-1](#) [21055-6](#) [FXBSCSCE2LM002](#) [3-21053-2](#) [MLB 200/1 V BLACK](#) [MLB 2001 V RED](#) [MLB 2001 V YELLOW](#) [MLB 501 V](#)
[BLACK](#) [5492011-6](#) [106284-7000](#) [5492011-5](#) [5492011-8](#) [5492011-9](#) [8-21007-5](#) [2123524-2](#) [2123524-1](#) [106386-4447](#) [DFSM-SCSC-2M](#)
[2123909-4](#) [2123909-8](#) [106273-0629](#) [2125046-1](#) [2821236-3](#) [2821310-2](#) [2821310-3](#) [2821313-4](#) [FX2ERLNLNSNM0.5](#) [CF-980062-074](#) [CF-](#)
[901200-394](#) [CF-980062-073](#) [CF-980062-071](#) [CF-980062-075](#) [CF-980062-072](#) [17-300310-100](#) [2821236-2](#) [2821313-1](#) [G-FC-FC-S-002.0-DX-](#)
[A-18-Y](#) [G-E2A-E2A-S-003.0-SX-A-18-Y](#) [956-322-502214](#) [FA04474](#) [1111540](#) [1111843](#)