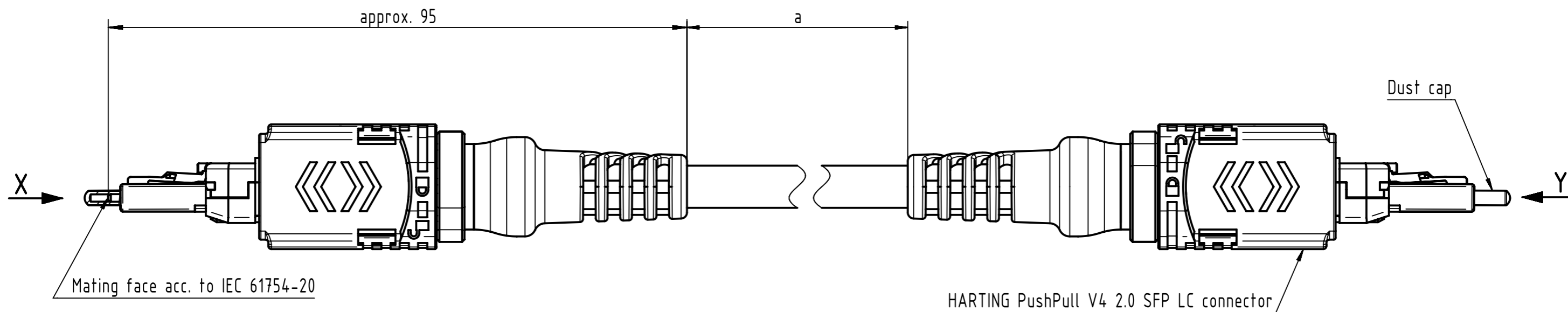


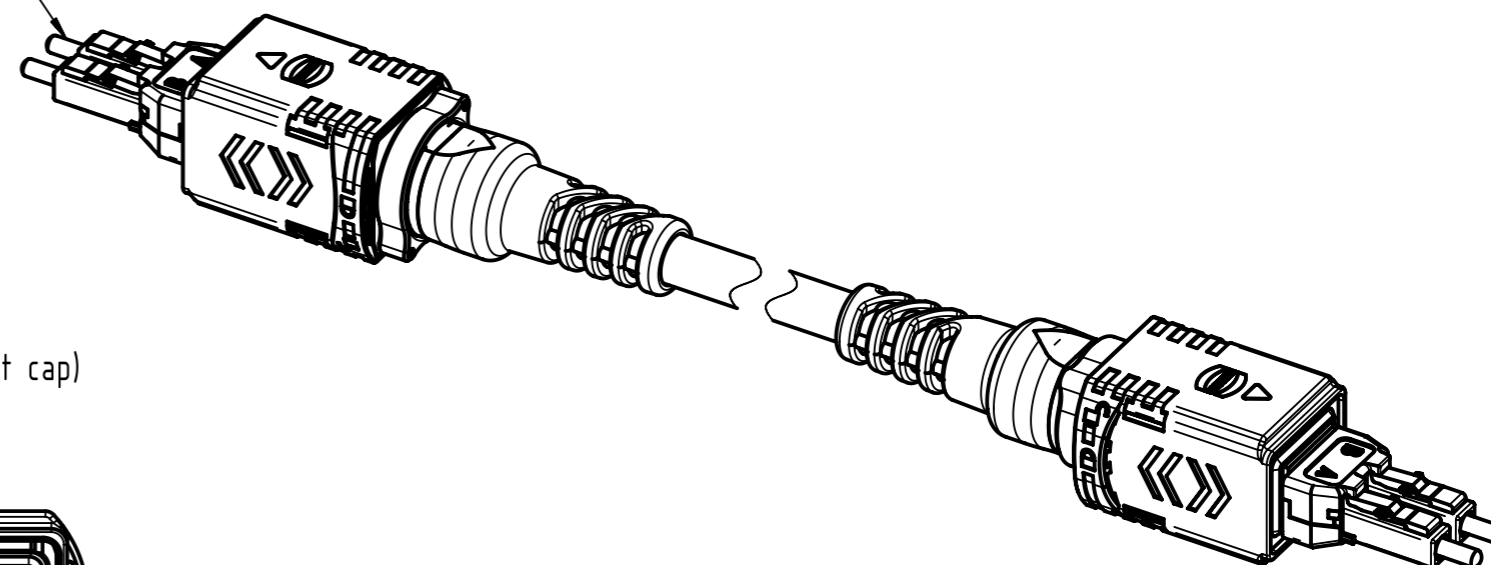
Connector Location A

Connector Location B

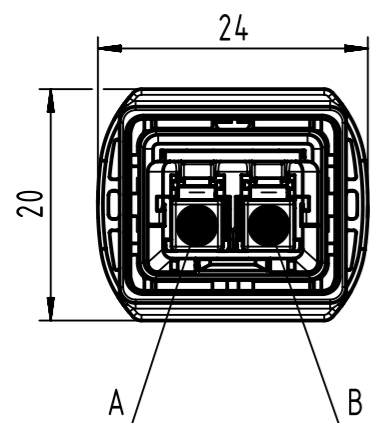


Dust cap

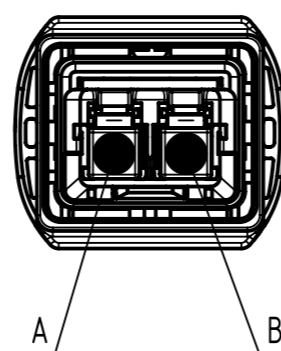
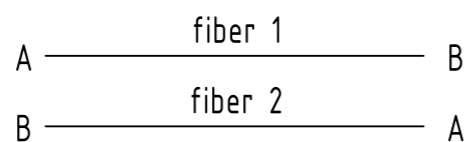
Y
(without dust cap)



X
(without dust cap)




Loading-Plan



Protection level: IP67/65
Temperature range: -40°C...+70°C

	All rights reserved		Created by COSTEA		Inspected by COSTEA		Standardisation MUNTEANV		Date 2018-07-19		State Final Release		
	Department HCS - RO		Title FO CA PP2-PP2, 62.5µ, OM1, PUR		Type TB		Number 3361221XXX0003		Rev. D		Page 1/2		
HARTING Customised Solutions D-32339 Espelkamp			All Dimensions in mm		Tech. Character.			Free size tol.			According to production drawing		

Cont. no.	Part no.	Type of cable	Dim. a[m]	Technical Information				Title		Doc-Key / ECM-Nr.	Rev.	Page								
27	33612211000003	Fiber optic, multi mode 62.5/125 μm	100	 All rights reserved Department HCS - RO HARTING Customised Solutions D-32339 Espelkamp	Created by COSTEA	Inspected by COSTEA	Standardisation MUNTEANV	Date 2018-07-19	State Final Release	100677817/UGD/006/D 500000137829	D	2/2								
26	33612210900003		90										Tech. Character.		Free size tol.		According to production drawing			
25	33612210800003		80										All Dimensions in mm							
24	33612210700003		70																	
23	33612210600003		60																	
22	33612210500003		50																	
21	33612210450003		45																	
20	33612210400003		40																	
19	33612210350003		35																	
18	33612210300003		30																	
17	33612210250003		25																	
16	33612210200003		20																	
15	33612210150003		15																	
14	33612210140003		14																	
13	33612210130003		13																	
12	33612210120003		12																	
11	33612210110003		11																	
10	33612210100003		10																	
9	33612210090003		9																	
8	33612210080003		8																	
7	33612210070003		7																	
6	33612210060003		6																	
5	33612210050003		5																	
4	33612210040003		4																	
3	33612210030003		3																	
2	33612210020003		2																	
1	33612210010003		1																	

X-ON Electronics

Largest Supplier of Electrical and Electronic Components

Click to view similar products for [Fibre Optic Cable Assemblies](#) category:

Click to view products by [HARTING](#) manufacturer:

Other Similar products are found below :

[7-21002-9](#) [760-1518](#) [FA04390-50-M-72-LC-N](#) [MLB 501 V RED](#) [MLB 501 V YELLOW](#) [1-3636-600-5208](#) [2061529-7](#) [1-6693182-0](#)
[1754898-1](#) [21055-6](#) [FXBSCSCE2LM002](#) [3-21053-2](#) [MLB 200/1 V BLACK](#) [MLB 2001 V RED](#) [MLB 2001 V YELLOW](#) [MLB 501 V](#)
[BLACK](#) [5492011-6](#) [106284-7000](#) [5492011-5](#) [5492011-8](#) [5492011-9](#) [8-21007-5](#) [2123524-2](#) [2123524-1](#) [106386-4447](#) [DFSM-SCSC-2M](#)
[2123909-4](#) [2123909-8](#) [106273-0629](#) [2125046-1](#) [2821236-3](#) [2821310-2](#) [2821310-3](#) [2821313-4](#) [FX2ERLNLNSNM0.5](#) [CF-980062-074](#) [CF-](#)
[901200-394](#) [CF-980062-073](#) [CF-980062-071](#) [CF-980062-075](#) [CF-980062-072](#) [17-300310-100](#) [2821236-2](#) [2821313-1](#) [G-FC-FC-S-002.0-DX-](#)
[A-18-Y](#) [G-E2A-E2A-S-003.0-SX-A-18-Y](#) [956-322-502214](#) [FA04474](#) [1111540](#) [1111843](#)