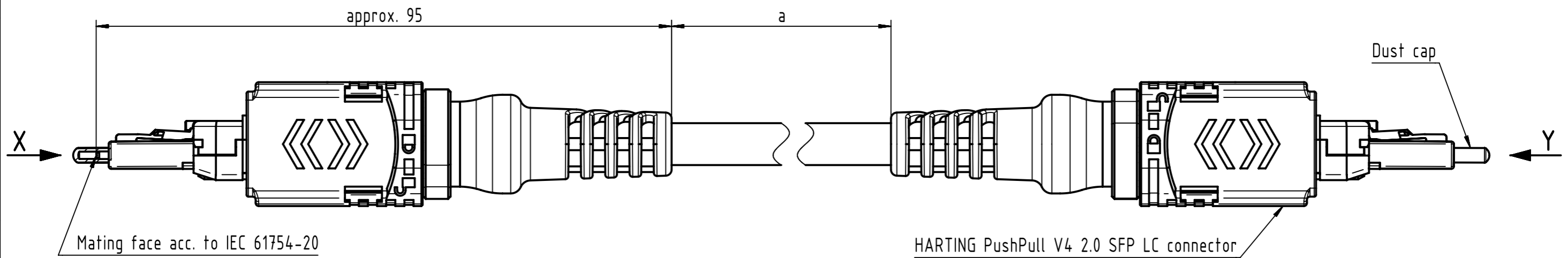
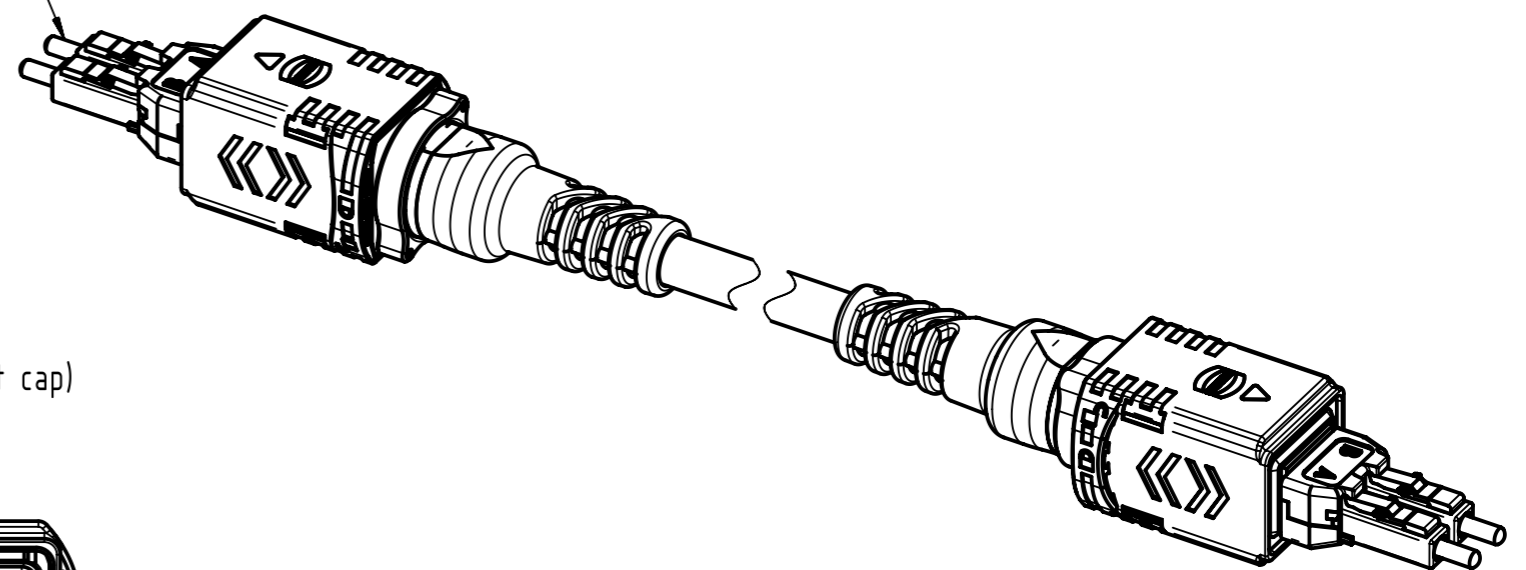


Connector Location A

Connector Location B

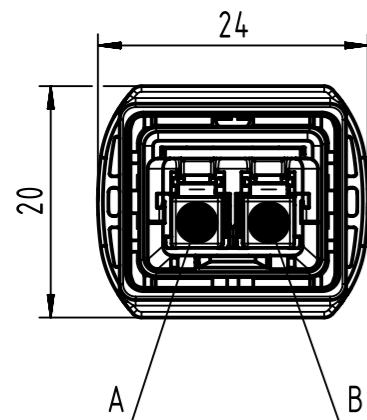


Dust cap

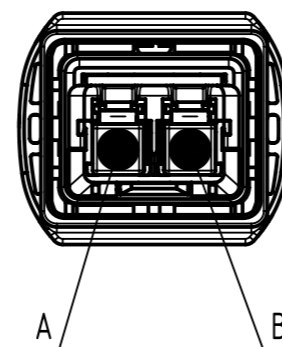
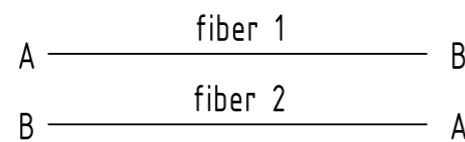


X
(without dust cap)

Y
(without dust cap)




Loading-Plan



Protection level: IP67/65
Temperature range: -40°C...+70°C

	All rights reserved		Created by COSTEA		Inspected by COSTEA		Standardisation MUNTEANV		Date 2018-07-19		State Final Release	
	Department HCS - RO		Title FO CA PP2-PP2, 9µ, G657A1, PUR		Type TB		Number 3361221XXX0001		Doc-Key / ECM-Nr. 100677727/UGD/006/D 500000137829		Rev. D Page 1/2	
All Dimensions in mm			Tech. Character.			Free size tol.			According to production drawing			
HARTING Customised Solutions D-32339 Espelkamp												

1	2	3	4	5	6	7	8	
A								A
B								B
C	27	33612211000001	Fiber optic, single mode 9/125 μm	100				C
	26	33612210900001		90				
	25	33612210800001		80				
	24	33612210700001		70				
	23	33612210600001		60				
	22	33612210500001		50				
	21	33612210450001		45				
	20	33612210400001		40				
	19	33612210350001		35				
	18	33612210300001		30				
	17	33612210250001		25				
	16	33612210200001		20				
	15	33612210150001		15				
	14	33612210140001		14				
	13	33612210130001		13				
	12	33612210120001		12				
	11	33612210110001		11				
	10	33612210100001		10				
	9	33612210090001		9				
	8	33612210080001		8				
	7	33612210070001		7				
	6	33612210060001		6				
	5	33612210050001		5				
	4	33612210040001		4				
	3	33612210030001		3				
	2	33612210020001		2				
	1	33612210010001		1				
F	Cont. no.	Part no.	Type of cable	Dim. a[m]				F

	All rights reserved		Created by COSTEA		Inspected by COSTEA		Standardisation MUNTEANV		Date 2018-07-19		State Final Release	
	Department HCS - RO		Title FO CA PP2-PP2, 9μ, G657A1, PUR									
HARTING Customised Solutions D-32339 Espelkamp				Type TB	Number 3361221XXX0001						Rev. D	Page 2/2

X-ON Electronics

Largest Supplier of Electrical and Electronic Components

Click to view similar products for [Fibre Optic Cable Assemblies](#) category:

Click to view products by [HARTING](#) manufacturer:

Other Similar products are found below :

[7-21002-9](#) [760-1518](#) [FA04390-50-M-72-LC-N](#) [MLB 501 V RED](#) [MLB 501 V YELLOW](#) [1-3636-600-5208](#) [2061529-7](#) [1-6693182-0](#)
[1754898-1](#) [21055-6](#) [FXBSCSCE2LM002](#) [3-21053-2](#) [MLB 200/1 V BLACK](#) [MLB 2001 V RED](#) [MLB 2001 V YELLOW](#) [MLB 501 V](#)
[BLACK](#) [5492011-6](#) [106284-7000](#) [5492011-5](#) [5492011-8](#) [5492011-9](#) [8-21007-5](#) [2123524-2](#) [2123524-1](#) [106386-4447](#) [DFSM-SCSC-2M](#)
[2123909-4](#) [2123909-8](#) [106273-0629](#) [2125046-1](#) [2821236-3](#) [2821310-2](#) [2821310-3](#) [2821313-4](#) [FX2ERLNLNSNM0.5](#) [CF-980062-074](#) [CF-](#)
[901200-394](#) [CF-980062-073](#) [CF-980062-071](#) [CF-980062-075](#) [CF-980062-072](#) [17-300310-100](#) [2821236-2](#) [2821313-1](#) [G-FC-FC-S-002.0-DX-](#)
[A-18-Y](#) [G-E2A-E2A-S-003.0-SX-A-18-Y](#) [956-322-502214](#) [FA04474](#) [1111540](#) [1111843](#)