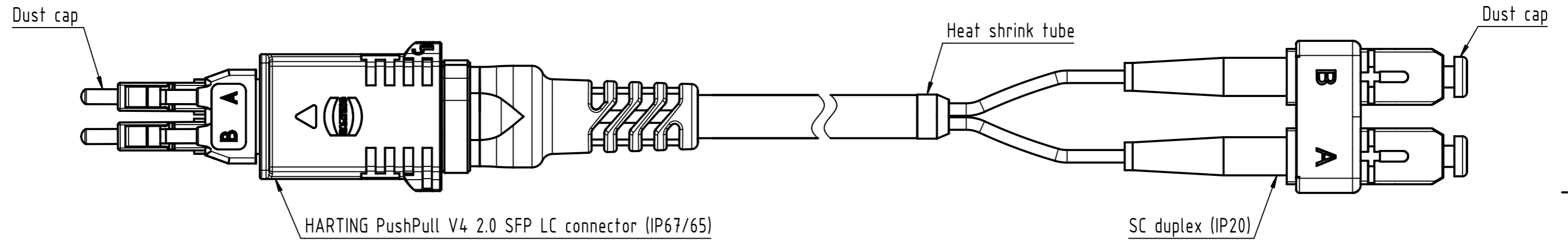
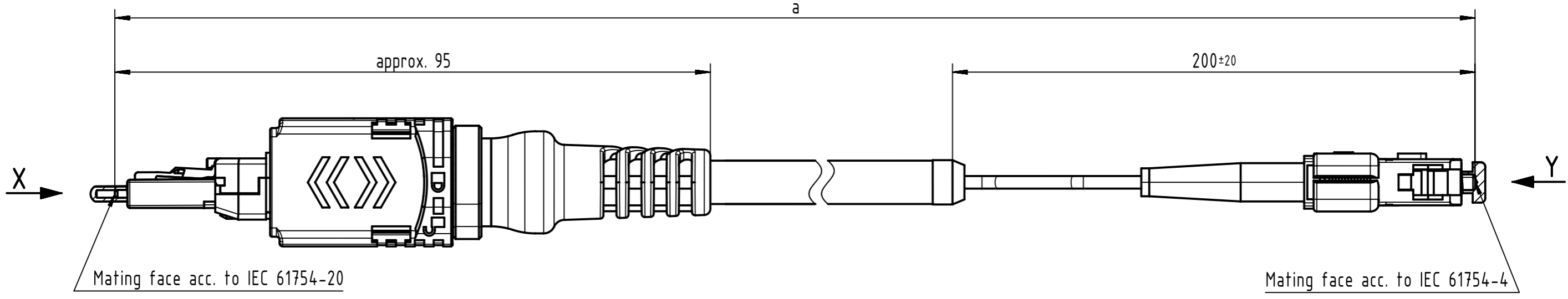


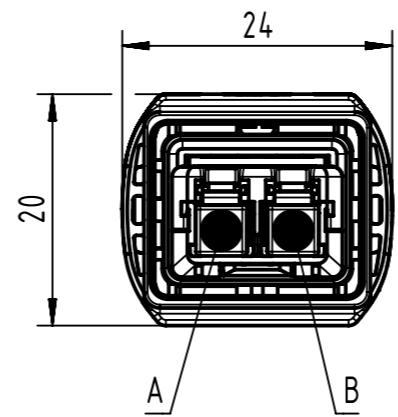
Connector Location A

Connector Location B

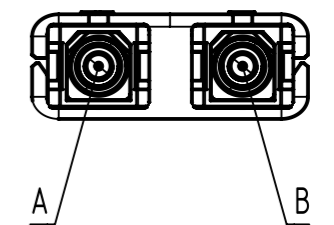
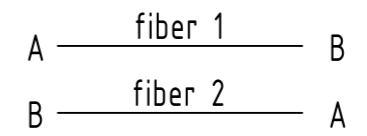


X
(without dust cap)

Y
(without dust cap)




Loading-Plan



Temperature range: -40°C...+70°C

	All rights reserved		Tech. Character.		Free size tol.		According to production drawing	
	Department HCS - RO		Created by COSTEA	Inspected by COSTEA	Standardisation MUNTEANV	Date 2018-07-19	State Final Release	
HARTING Customised Solutions D-32339 Espelkamp		Title FO CA PP2-SCdx, 50µ, OM3, PUR			Doc-Key / ECM-Nr. 100677832/UGD/009/D 500000137839		Rev. D	Page 1/2
		Type TB	Number 3361431XXX0005					

Cont. no.	Part no.	Type of cable	Dim. a[m]	Technical Information				Title		Doc-Key / ECM-Nr.	Rev.	Page					
27	33614311000005	Fiber optic, multi mode 50/125 µm	100	 All rights reserved Department HCS - RO HARTING Customised Solutions D-32339 Espelkamp	All Dimensions in mm	Tech. Character.	Free size tol.	According to production drawing	Created by COSTEA	Inspected by COSTEA	Standardisation MUNTEANV	Date 2018-07-19	State Final Release	Title FO CA PP2-SCdx, 50µ, OM3, PUR	Doc-Key / ECM-Nr. 100677832/UGD/009/D 500000137839	Rev. D	Page 2/2
26	33614310900005		90														
25	33614310800005		80														
24	33614310700005		70														
23	33614310600005		60														
22	33614310500005		50														
21	33614310450005		45														
20	33614310400005		40														
19	33614310350005		35														
18	33614310300005		30														
17	33614310250005		25														
16	33614310200005		20														
15	33614310150005		15														
14	33614310140005		14														
13	33614310130005		13														
12	33614310120005		12														
11	33614310110005		11														
10	33614310100005		10														
9	33614310090005		9														
8	33614310080005		8														
7	33614310070005		7														
6	33614310060005		6														
5	33614310050005		5														
4	33614310040005		4														
3	33614310030005		3														
2	33614310020005		2														
1	33614310010005		1														

X-ON Electronics

Largest Supplier of Electrical and Electronic Components

Click to view similar products for [Fibre Optic Cable Assemblies](#) category:

Click to view products by [HARTING](#) manufacturer:

Other Similar products are found below :

[7-21002-9](#) [760-1518](#) [FA04390-50-M-72-LC-N](#) [MLB 501 V RED](#) [MLB 501 V YELLOW](#) [1-3636-600-5208](#) [2061529-7](#) [1-6693182-0](#)
[1754898-1](#) [21055-6](#) [FXBSCSCE2LM002](#) [3-21053-2](#) [MLB 200/1 V BLACK](#) [MLB 2001 V RED](#) [MLB 2001 V YELLOW](#) [MLB 501 V](#)
[BLACK](#) [5492011-6](#) [106284-7000](#) [5492011-5](#) [5492011-8](#) [5492011-9](#) [8-21007-5](#) [2123524-2](#) [2123524-1](#) [106386-4447](#) [DFSM-SCSC-2M](#)
[2123909-4](#) [2123909-8](#) [106273-0629](#) [2125046-1](#) [2821236-3](#) [2821310-2](#) [2821310-3](#) [2821313-4](#) [FX2ERLNLNSNM0.5](#) [CF-980062-074](#) [CF-](#)
[901200-394](#) [CF-980062-073](#) [CF-980062-071](#) [CF-980062-075](#) [CF-980062-072](#) [17-300310-100](#) [2821236-2](#) [2821313-1](#) [G-FC-FC-S-002.0-DX-](#)
[A-18-Y](#) [G-E2A-E2A-S-003.0-SX-A-18-Y](#) [956-322-502214](#) [FA04474](#) [1111540](#) [1111843](#)