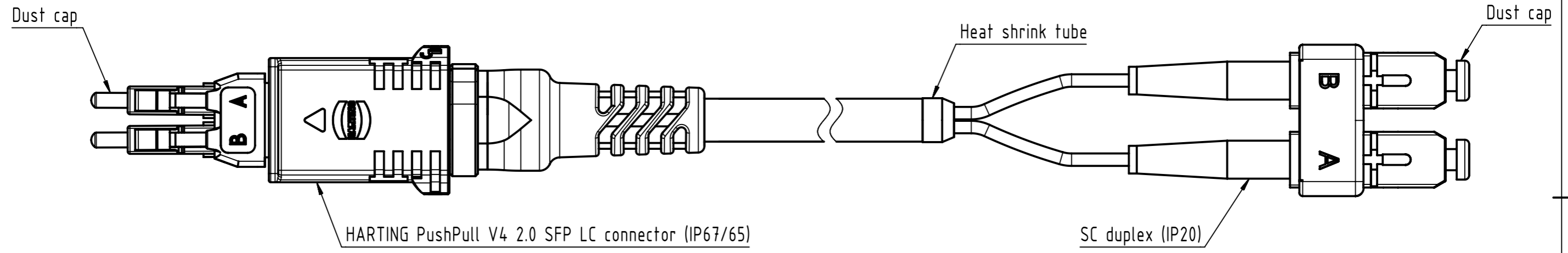
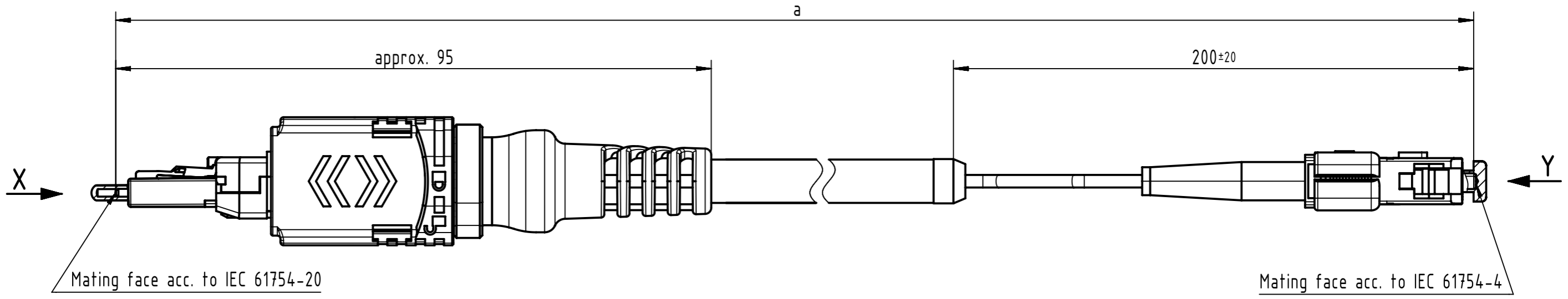


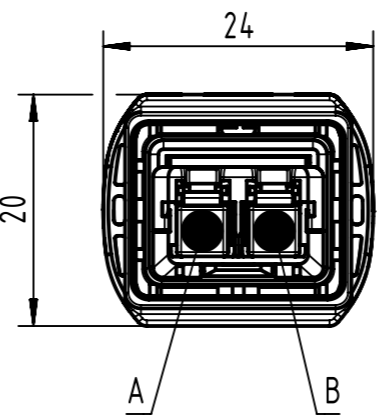
Connector Location A

Connector Location B

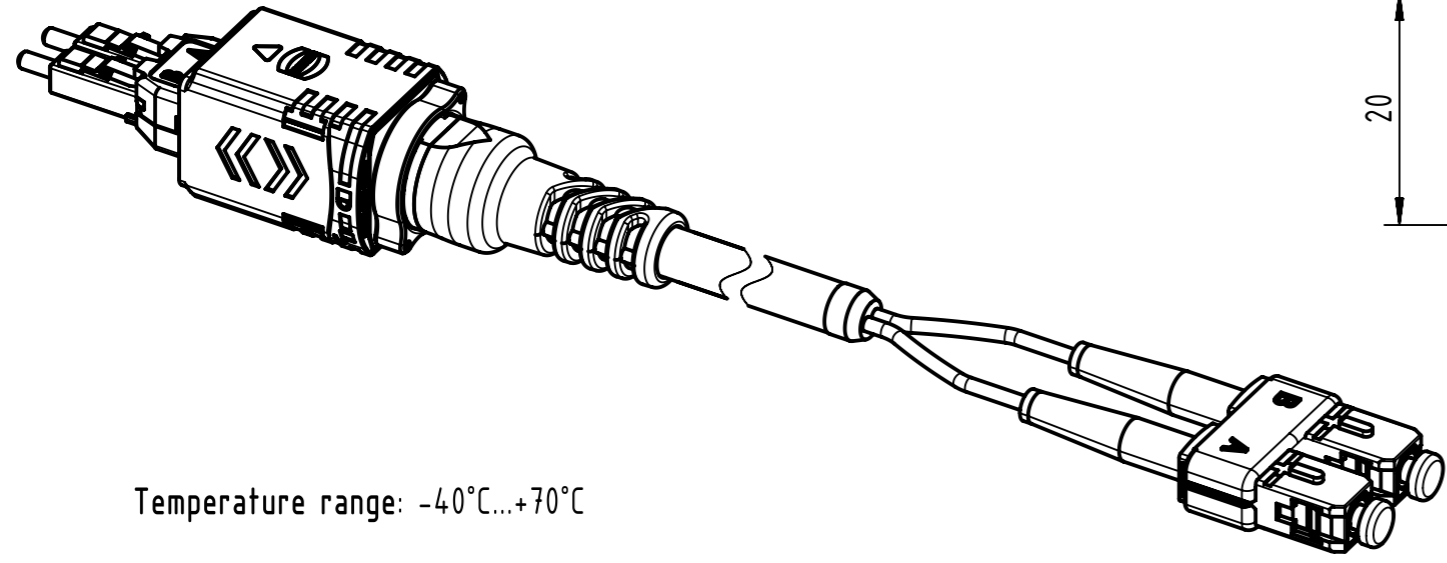
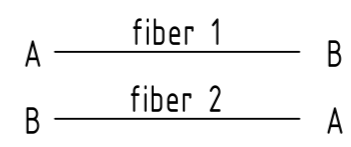


X
(without dust cap)

Y
(without dust cap)




Loading-Plan



Temperature range: -40°C...+70°C

All Dimensions in mm		Tech. Character.		Free size tol.		According to production drawing	
All rights reserved Department HCS - RO	Created by	Inspected by	Standardisation	Date	State		Doc-Key / ECM-Nr. 100677835/UGD/009/D 500000137839
	COSTEA	COSTEA	MUNTEANV	2018-07-19	Final Release		
HARTING Customised Solutions D-32339 Espelkamp		Title FO CA PP2-SCdx, 62,5µ, OM1		Type TB		Number 3361431XXX0006	
				Rev. D		Page 1/2	

Cont. no.	Part no.	Type of cable	Dim. a[m]	Technical Information				Doc-Key / ECM-Nr.	Page									
27	3361431100006	Fiber optic, multi mode 62.5/125 μm	100	 All rights reserved Department HCS - RO HARTING Customised Solutions D-32339 Espelkamp	Created by COSTEA	Inspected by COSTEA	Standardisation MUNTEANV	Date 2018-07-19	State Final Release									
26	3361431090006		90							Title FO CA PP2-SCdx, 62,5μ, OM1	Type TB	Number 3361431XXX0006	Rev. D	Page 2/2				
25	3361431080006		80												All Dimensions in mm	Tech. Character.	Free size tol.	According to production drawing
24	3361431070006		70															
23	3361431060006		60															
22	3361431050006		50															
21	33614310450006		45															
20	3361431040006		40															
19	33614310350006		35															
18	3361431030006		30															
17	33614310250006		25															
16	3361431020006		20															
15	33614310150006		15															
14	33614310140006		14															
13	33614310130006		13															
12	33614310120006		12															
11	33614310110006		11															
10	3361431010006		10															
9	33614310090006		9															
8	33614310080006		8															
7	33614310070006		7															
6	33614310060006		6															
5	33614310050006		5															
4	33614310040006		4															
3	33614310030006		3															
2	33614310020006		2															
1	33614310010006		1															

X-ON Electronics

Largest Supplier of Electrical and Electronic Components

Click to view similar products for [Fibre Optic Cable Assemblies](#) category:

Click to view products by [HARTING](#) manufacturer:

Other Similar products are found below :

[7-21002-9](#) [760-1518](#) [FA04390-50-M-72-LC-N](#) [MLB 501 V RED](#) [MLB 501 V YELLOW](#) [1-3636-600-5208](#) [2061529-7](#) [1-6693182-0](#)
[1754898-1](#) [21055-6](#) [FXBSCSCE2LM002](#) [3-21053-2](#) [MLB 200/1 V BLACK](#) [MLB 2001 V RED](#) [MLB 2001 V YELLOW](#) [MLB 501 V](#)
[BLACK](#) [5492011-6](#) [106284-7000](#) [5492011-5](#) [5492011-8](#) [5492011-9](#) [8-21007-5](#) [2123524-2](#) [2123524-1](#) [106386-4447](#) [DFSM-SCSC-2M](#)
[2123909-4](#) [2123909-8](#) [106273-0629](#) [2125046-1](#) [2821236-3](#) [2821310-2](#) [2821310-3](#) [2821313-4](#) [FX2ERLNLNSNM0.5](#) [CF-980062-074](#) [CF-](#)
[901200-394](#) [CF-980062-073](#) [CF-980062-071](#) [CF-980062-075](#) [CF-980062-072](#) [17-300310-100](#) [2821236-2](#) [2821313-1](#) [G-FC-FC-S-002.0-DX-](#)
[A-18-Y](#) [G-E2A-E2A-S-003.0-SX-A-18-Y](#) [956-322-502214](#) [FA04474](#) [1111540](#) [1111843](#)