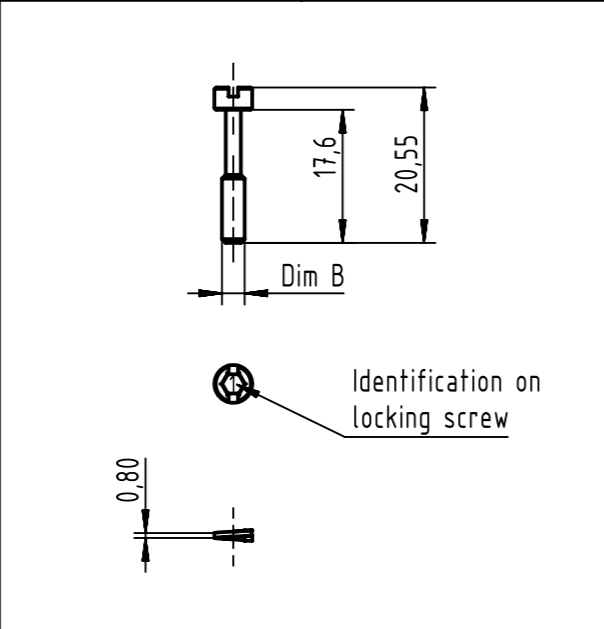


Hexagonal head screw driver
P/N 61 03 600 0021
for hexagonal head screw
max torque=0,5Nm



1 For strain relief an additional InduCom cable clamp or a crimp flange and ferrule combination depending on the cable is necessary

Content InduCom hood			Spare parts (MOQ100)	
Pos.	Quantity	Description	Part Number	Quantity
01	1	metal hood		
02	1	metal cover		
03	2	locking screw (assembled):		
		or hexagonal M3 with captive washer (for 0347)	0967 002 9019	1
		or hexagonal 4-40 UNC with captive washer (for 0346)	0967 002 9020	1
04	4	cover screw M2,5 with philips head (not losable in cover)	0963 002 0006	1
05	1	flat washer (not assembled) for securing the PCB	0963 002 0022	1
06	1	grounding screw (not assembled)	0963 002 0007	1
07	1	sleeve for securing the PCB	0963 002 0026	1

6667 009 034X			
6667 009 0347	M3	Hexagonal screw with captive washer	1
6667 009 0346	4-40 UNC	Hexagonal screw with captive washer	3
Part Number	Dim B screw size	Screw type	Identification for locking screw

All rights reserved
 Department EL PD
 HARTING Electronics GmbH
 D-32339 Espelkamp

All Dimensions in mm
 Original Size DIN A3

Scale 1:1
 Free size tol.

Created by SHENGJ
 Inspected by WANGSTE
 Standardisation HOFFMANN
 Date 2019-07-18
 State Final Release

Title InduCom PCB 9P hood assembly with two 15° cable entries
 Type TB
 Number 6667009034X

Ref. Sub.
 Doc-Key / ECM-Nr. 100719134/UGD/000/A 500000155113
 Rev. A
 Page 1/1

X-ON Electronics

Largest Supplier of Electrical and Electronic Components

Click to view similar products for [D-Sub Backshells](#) category:

Click to view products by [HARTING](#) manufacturer:

Other Similar products are found below :

[600X51137X](#) [600X54009X](#) [66241-12A](#) [M85049/6-38N](#) [M85049/86-12N03](#) [M85049/90-13P03](#) [70.350.0636.4](#) [70.350.2435.1](#) [72.350.1035.2](#)
[72.352.2435.1](#) [73.359.4035.3](#) [829472-1](#) [PCS-E20W](#) [970-015-040R011](#) [971-009-030R121](#) [971-009-040R011](#) [971-015-040R011](#) [DPH-B-003](#)
[1437013-9](#) [1484402-8](#) [156-3025-EX](#) [16-500800](#) [165X02659X](#) [165X03399A](#) [165X10259X](#) [165X11359X](#) [165X11689X](#) [165X11759X](#)
[165X11889X](#) [165X11899X](#) [165X13019X](#) [165X13029X](#) [165X13169X](#) [165X13199X](#) [165X13239X](#) [165X13389X](#) [165X13489X](#)
[165X14219X](#) [165X14429X](#) [165X14449X](#) [165X17409X](#) [165X17439X](#) [165X17569X](#) [165X17599X](#) [165X17609X](#) [165X17979X](#) [L171373](#)
[971-025-030R121](#) [300X10989X](#) [165X02609X](#)