

Technical Characteristics

Part Number

Han 10B Rear-Mount ECO Kit

Hood	Angled Entry
Housing	Double Lever Bulkhead
Material	Polyamide Plastic
IP / NEMA	IP65 / 4, 4x, 12
Temp Rating	-40 to +125C
Cable Gland	M25 Plastic
Cable Diameter	9 -17mm
Insert	Han 10E, 10+GND
Screw Terminals	18-14AWG
Wire Strip Length	7.5mm
Mating Cycles	>500
Flammability	V-0

73 10 100 0002

UL508

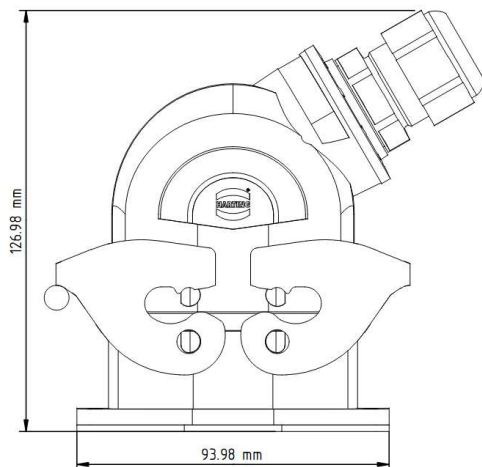


Electrical Characteristics

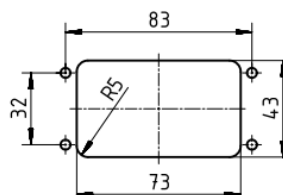
Rated Current	16amps
Rated Voltage	600V
Rated Impulse Voltage	6kV

Drawings and Assembly Information

Dimensions in mm



panel cut out
for assembly from
the inner side of cabinet



Tooling and Torque Values		
Type	Tool	Torque (Nm)
Terminal Screws (M3)	PH1 or Slotted 0.6 x 3.5	0.50
Fixing Screw (M3)	PH2 or Slotted 0.6 x 3.5	0.50
Mounting Screws (M4 recommended)	-	0.8...1.0
Cable Gland (M25)	SW29	10

Kit Contents	
Male Insert	09 33 010 2601
Female insert	09 33 010 2701
Housing	19 43 010 0320
Hood & Gland	19 43 110 0526

For further information, please reach out to techsupportUS@HARTING.com

X-ON Electronics

Largest Supplier of Electrical and Electronic Components

Click to view similar products for [Heavy Duty Power Connectors](#) category:

Click to view products by [HARTING](#) manufacturer:

Other Similar products are found below :

[647757-1](#) [6643411-1](#) [6646058-2](#) [6646137-1](#) [6646138-1](#) [6646479-1](#) [6646608-1](#) [6646786-1](#) [6646940-1](#) [6651525-1](#) [6651529-1](#) [6651788-1](#)
[696475-1](#) [702-32-01109](#) [703-25-02205](#) [73000005059](#) [73000005642](#) [73080255059](#) [73080965046](#) [765-15-0080A](#) [765-16-0080B](#)
[765-18-0080D](#) [829992-1](#) [902-77-02113](#) [PS00/A0620/6300](#) [129-1J](#) [1409400](#) [AN0024023](#) [E6374G1](#) [e6389g2](#) [157-43GW8](#) [MS3117-14AC](#)
[1643543-1](#) [1650540-1](#) [1651811-2](#) [1766260-1](#) [1766282-1](#) [1766966-1](#) [1791340000](#) [NLDFT-3-BL-L-S120-M40A](#) [NLDFT-N-W-L-C240-](#)
[M40B](#) [NLS-2-R-C240-M40B](#) [NLS-N-W-C240-M40B](#) [NPS-3-BL-T6](#) [1986615-1](#) [2-1589900-8](#) [2199314-1](#) [KA8102](#) [9300480317](#) [29131](#)