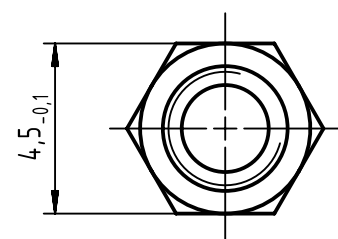
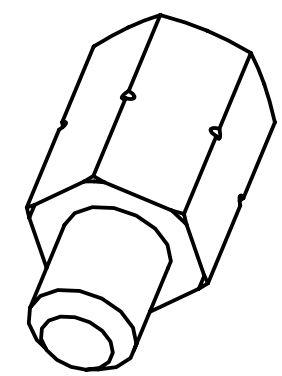
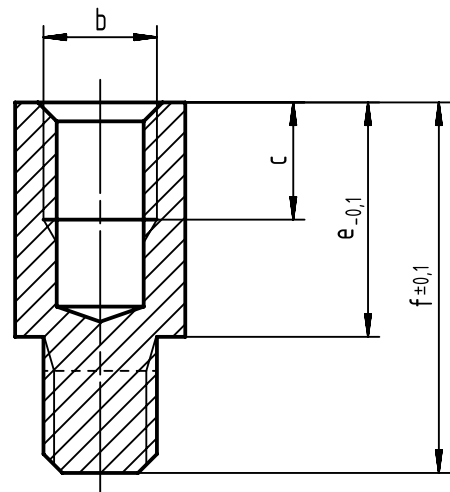



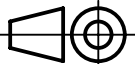

A-A



① Special thread marking

	All rights reserved Department EL PD	All Dimensions in mm Original Size DIN A4		Scale 5:1	Free size tol.	Ref.
		HARTING Electronics GmbH D-32339 Espelkamp	Created by ZENG D	Inspected by LUOK	Standardisation KOHLER	Date 2018-08-02
Title D-Sub screw lock						Doc-Key / ECM-Nr. 100793383/UGD/001/A 500000137160
Type TB				Number 096X00X9XXX		Rev. A
						Page 1/2

C	10	09670019956	100 pcs in a bag	5	11	4-40 UNC	4-40 UNC	3,1 min.	no
	11	09670019956580	5000 pcs in a bag	5	11	4-40 UNC	4-40 UNC	3,1 min.	no
	12	09670019958	100 pcs in a bag	5	11	M3	4-40 UNC	3,1 min.	4,1
	13	09670029048	100 pcs in a bag	5	11	4-40 UNC	M3	3,1 min.	0,9
	14	09670019959	100 pcs in a bag	5	11	M3	M3	3,1 min.	2,5
	15	09670019941	100 pcs in a bag	5	13	4-40 UNC	4-40 UNC	3,1 min.	no
	16	09670019941580	5000 pcs in a bag	5	13	4-40 UNC	4-40 UNC	3,1 min.	no
	17	09670019954	100 pcs in a bag	5	13	M3	4-40 UNC	3,1 min.	4,1
	18	09670019954580	5000 pcs in a bag	5	13	M3	4-40 UNC	3,1 min.	4,1
D	19	09670019998	100 pcs in a bag	5	13	4-40 UNC	M3	3,1 min.	0,9
	20	09670019947	100 pcs in a bag	5	13	M3	M3	3,1 min.	2,5
	21	09670019960	100 pcs in a bag	5	18	4-40 UNC	4-40 UNC	3,1 min.	no
	22	09670019933	100 pcs in a bag	5	18	M3	4-40 UNC	3,1 min.	4,1
	23	09670019932	100 pcs in a bag	5	18	4-40 UNC	M3	3,1 min.	0,9
	24	09670019931	100 pcs in a bag	5	18	M3	M3	3,1 min.	2,5
	25								
E	26								
	27								
	28								
	29								
	30								
	31								
	32								

	All Dimensions in mm Original Size DIN A4		Scale 5:1	Free size fol.		Ref.	
						Sub.	
	All rights reserved		Created by ZENGD	Inspected by LUOK	Standardisation KOHLER	Date 2018-08-02	State Final Release
	Department EL PD		Title D-Sub screw lock				Doc-Key / ECM-Nr. 100793383/UGD/001/A 500000137160
HARTING Electronics GmbH D-32339 Espelkamp		Type TB	Number 096X00X9XXX			Rev. A	Page 2/2

## X-ON Electronics

Largest Supplier of Electrical and Electronic Components

*Click to view similar products for [D-Sub Tools & Hardware](#) category:*

*Click to view products by [HARTING](#) manufacturer:*

Other Similar products are found below :

[000-01-09-132](#) [000-01-21-132](#) [000-01-31-162](#) [572019-00105-70](#) [000-01-37-162](#) [621-250-113-115](#) [D110550-2](#) [D20418-137](#) [780-518-50SG6-WS](#) [86552009](#) [86553115TLF](#) [86553117TLF](#) [1230032-1](#) [1-5021101-2](#) [1589283-4](#) [160-000-005R031](#) [16-000230](#) [160-025-004R031](#) [160-020-209R000](#) [160X10909X](#) [164C03939A](#) [177-505-A-2-2](#) [1-966830-8](#) [21018-6](#) [2-1393560-9](#) [JS-1000](#) [L17D204182M3E](#) [L17D53018](#) [300X10779X](#) [160X10189X](#) [160X10419X](#) [162-000-050R000](#) [21018-5](#) [212561-3](#) [248C21550X](#) [CF15P](#) [D110277](#) [D20418-135](#) [500-008NF1K-01](#) [500-008NF3R3KS-01](#) [500-017M09FN](#) [500-017M15MHN](#) [500-024M1](#) [500-068M3](#) [5-1393561-5](#) [C115373-0001](#) [C115373-0002](#) [3342-4-KIT](#) [K1003](#) [L17D4M68711](#)