

5

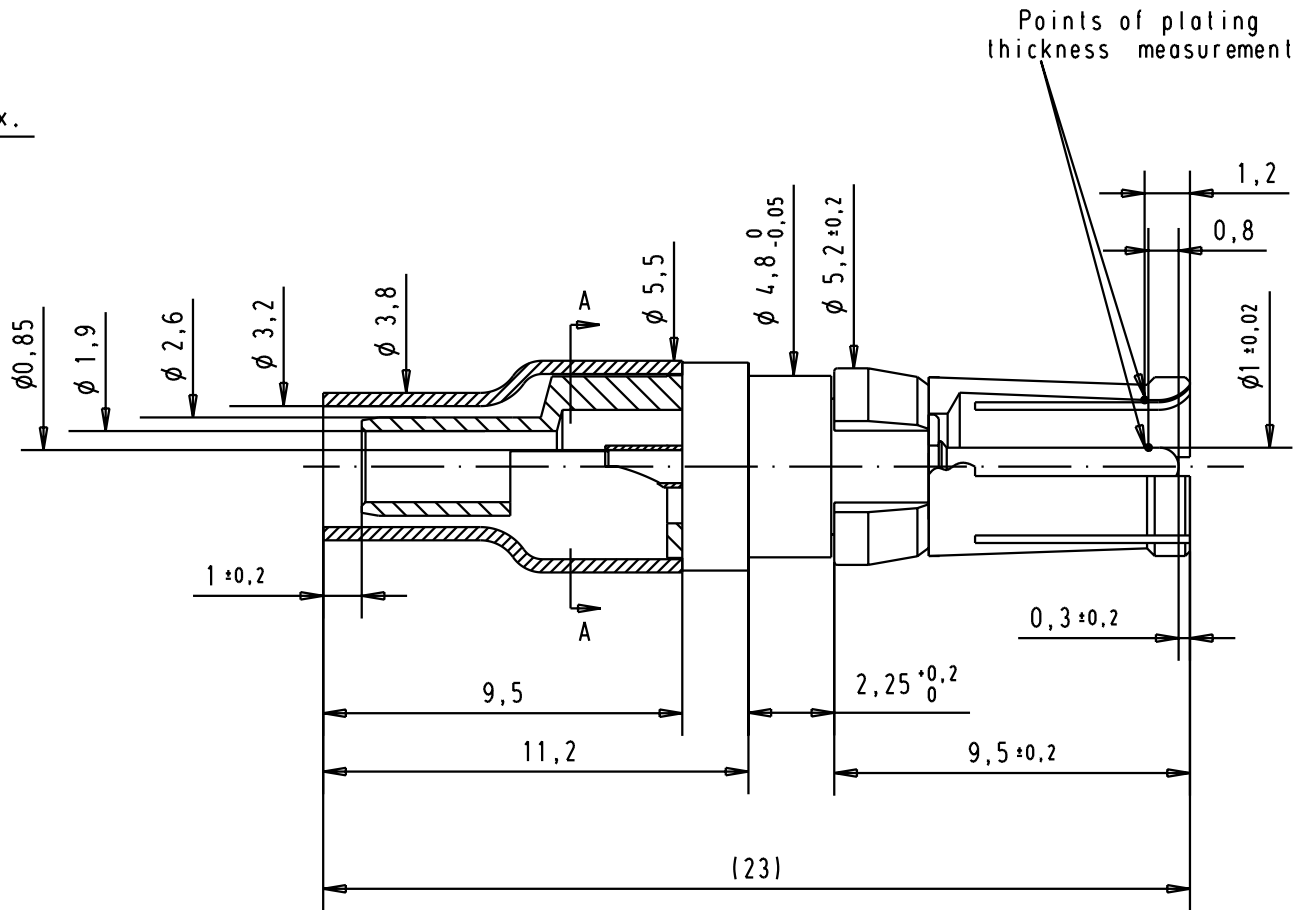
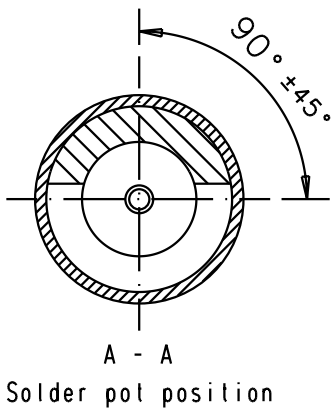
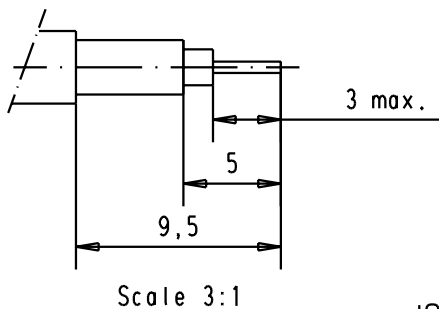
4

3

2

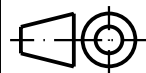

1

Harnessing dimensions for cables RG174U BU, RG188AU, RG316U



Crimping tool of outer conductor:  
hand tool: 09 99 000 0503 00  
die: 09 99 000 0508 00

A

|             |                  |                 |                 |       |           |      | Dat.                          |           | Name |   | <br>All Dim. in mm<br>Orig. Size DIN A 4 | Female coaxial contact, 50 Ohms<br>straight cable termination<br>inner conductor for solder termination,<br>outer conductor for solder or crimp<br>termination | Maßstab/<br>Scale<br><br>5:1 |
|-------------|------------------|-----------------|-----------------|-------|-----------|------|-------------------------------|-----------|------|---|---|--|------------------------------|
|             |                  |                 |                 |       |           |      | Detail.                       | 21-JUN-02 | CV   |   |   |  |                              |
|             |                  |                 |                 |       |           |      | Insp.                         |           |      |   |   |  |                              |
| 09691817140 | Mating area      | 0,2 µm Au       | 0,2 µm Au       |       |           |      | Stand.                        |           |      |   |   |  |                              |
|             | Termination area | 5 µm Sn         | 0,2 µm Au       |       |           |      |                               |           |      |   |   |  |                              |
| 09691815140 | Mating area      | 0,8 µm Au       | 1,3 µm Au       |       |           |      |                               |           |      |   |   |  |                              |
|             | Termination area | 0,2 µm Au       | 1,3 µm Au       | 31057 | 21-JUN-02 | CV   |                               |           |      |   |   |  |                              |
| Part number | Plating          | outer conductor | inner conductor | Mod.  | Dat.      | Name | HARTING EURL<br>F-95972 Paris |           |      |  | TB 09 69 181 x140<br>Sub.   | Blatt/ Page<br>1 / 1   |                              |

## X-ON Electronics

Largest Supplier of Electrical and Electronic Components

*Click to view similar products for [D-Sub Mixed Contact Connectors](#) category:*

*Click to view products by [HARTING](#) manufacturer:*

Other Similar products are found below :

[790-025SF-5P5NMN](#) [790-025SJ-7P7NML](#) [DAM-7W2PC](#) [L717TWB5W5P3R](#) [L717TWB5W5PRM84](#) [L717TWP3W3P](#)  
[3003W3PXX56N40X](#) [3005W5PXX99A30X](#) [3005W5PXX99E40X](#) [3005W5SXX99A30X](#) [3005W5SXX99E40X](#) [3013W6SCM99A10X](#)  
[3036W4PCM41A10X](#) [3036W4SCM99A10X](#) [FCE17-E2W2SS-2N0](#) [212522-7](#) [PII-468-1](#) [3003W3PXX43A10X](#) [3003W3SXX56N40X](#)  
[3005W5PXX88N40X](#) [3007W2PAR71E20X](#) [3008W8SXX57A30X](#) [3009W4PCT57P20X](#) [3011W1SXX99A10X](#) [3013W3PCM99A10X](#)  
[3017W2SAR69C40X](#) [321WA4PXK99A60X](#) [3F3SSC22S41A30X](#) [L717TWA7W2PP2SY3R](#) [DBM-17W2S-1A8N-A190-A197-1](#)  
[421WA4PCR50E20X](#) [09691009009](#) [09691100022500](#) [09693009176](#) [09692009147](#) [09693909015](#) [6017W2PCM41B30X](#) [790-061SH-](#)  
[36W2NMNA](#) [790-044SE-7P3MNPB](#) [790-043PE-11P2MPA](#) [790-043PB-2P2MPB](#) [790-029SB-2P2MEPA](#) [790-028PK-9P9MPA](#) [790-028PH-](#)  
[54P2MGA](#) [790-028PH-36P2MNA](#) [790-028PB-2P2MPA](#) [790-027SH-5W5MTEP](#) [790-026PH-54P2ZNUG](#) [790-026PH-54P2MP](#) [790-026PH-](#)  
[36P2ZNUG](#)