

# Customer Information Sheet

DRAWING No.: C90-3102RXXSX-XX

IF IN DOUBT - ASK

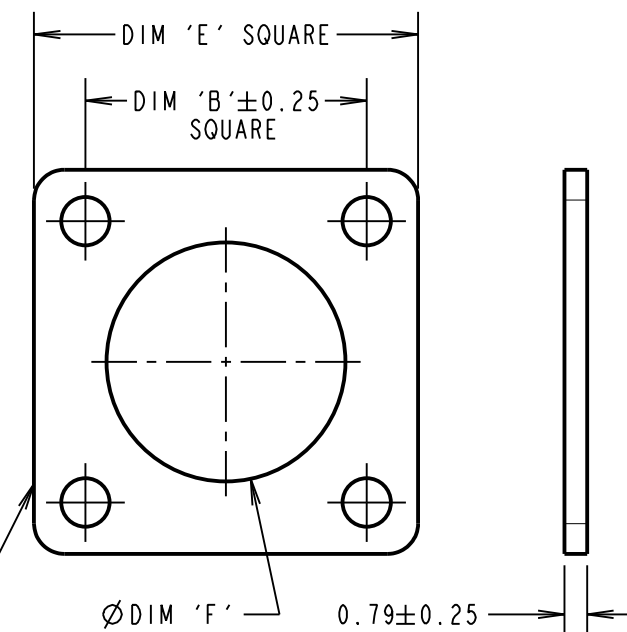
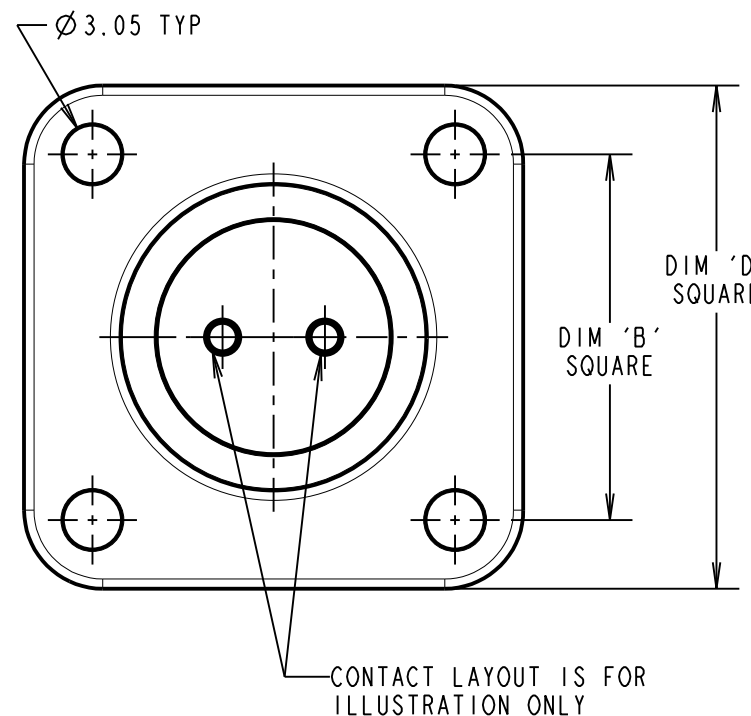
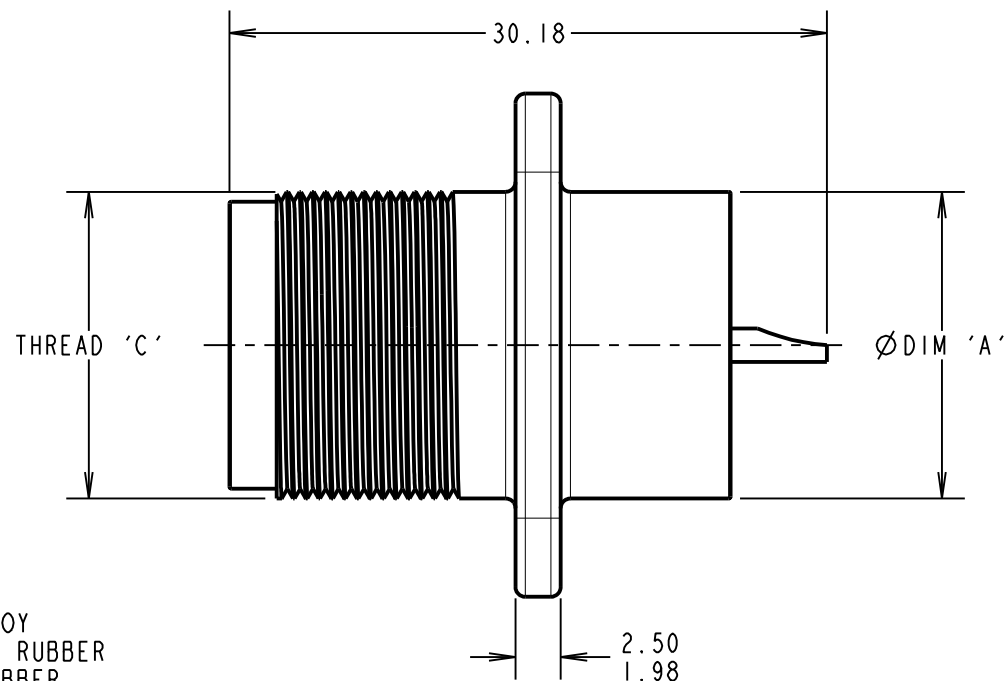
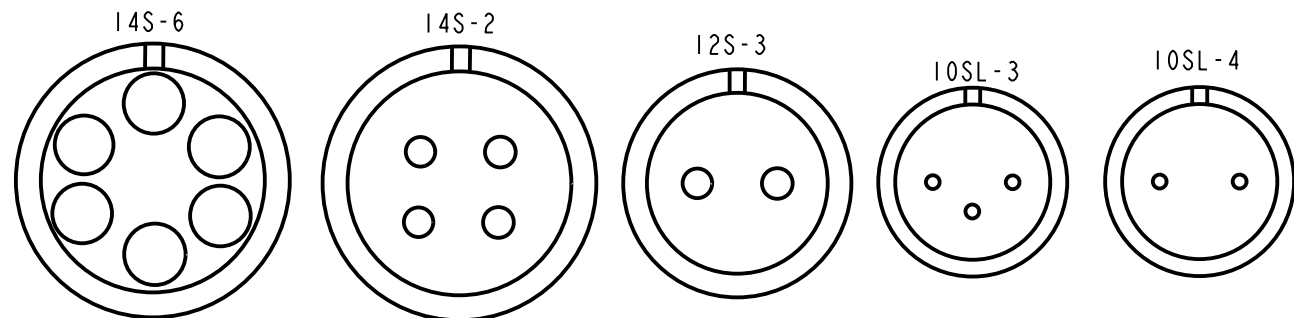
©

NOT TO SCALE

THIRD ANGLE PROJECTION

ALL DIMENSIONS IN mm

CONTACT LAYOUT (SHOWN LOOKING AT THE MATING FACE IS FOR ILLUSTRATION ONLY)



**SPECIFICATIONS:**

**MATERIAL:**

SHELL = ALUMINIUM ALLOY  
 INSULATOR = SYNTHETIC RUBBER  
 GASKET = SYNTHETIC RUBBER  
 CONTACT = COPPER ALLOY

**FINISH:**

SHELL = ZINC COBALT ALLOY, BLACK  
 CONTACT = SILVER

**ENVIRONMENTAL:**

OPERATING TEMPERATURE = -55°C TO +125°C

**MECHANICAL:**

VIBRATION SENSITIVITY = 10Hz TO 500Hz, 98m/s<sup>2</sup> (10G)  
 SHOCK SEVERITY = 490m/s<sup>2</sup> (50G) FOR 11ms  
 WATER RESISTANCE (SEALING) = 1.8m FOR 48HRS, EXCEEDS IP67

**ELECTRICAL:**

CURRENT RATING = 13A  
 VOLTAGE RATING:  
 10SL & 12S SHELL SIZES = 500V AC, 700V DC  
 14S SHELL SIZE = 200V AC, 250V DC  
 VOLTAGE PROOF:  
 10SL & 12S SHELL SIZES = 2,000V AC  
 14S SHELL SIZE = 1,000V AC  
 INSULATION RESISTANCE = 5,000MΩ MIN.

FOR MECHANICAL/ELECTRICAL REQUIREMENTS, SEE COMPONENT SPECIFICATION C045XX (LATEST ISSUE)

**NOTES:**

- PRODUCT IS RoHS COMPLIANT.
- CONNECTOR PACKED IN BAGS, ONE CONNECTOR AND GASKET PER BAG.
- RECOMMENDED WIRE SIZE 16-22 AWG.
- RECOMMENDED PANEL CUT-OUT FOR SHELL SIZE 10SL & 12S = Ø20.62 AND FOR SHELL SIZE 14S = Ø23.83.
- RECOMMENDED WIRE STRIP LENGTH = 7.5mm.

SHELL SIZE	DIM 'A' MAX	DIM 'B'	THREAD 'C'	DIM 'D'	DIM 'E' +0.4 -0.0	DIM 'F' +0.4 -0.0
10SL	Ø 15.75	18.25	5/8-24UNEF	25.65/25.15	25.40	Ø 15.87
12S	Ø 17.17	20.62	3/4-20UNEF	28.02	27.80	Ø 19.05
14S	Ø 18.92	23.02	7/8-20UNEF	30.40	30.17	Ø 22.22

MGP	8	03.06.19	21873
NAME	ISS.	DATE	C/NOTE
APPROVED: MGP			
CHECKED: MR			
DRAWN: R.ADDE			
CUSTOMER REF.:			
ASSEMBLY DRG:			

**HARWIN**

www.harwin.com  
 technical@harwin.com

THIS DRAWING AND ANY INFORMATION OR DESCRIPTIVE MATTER SET OUT HEREON ARE CONFIDENTIAL AND COPYRIGHT PROPERTY OF THE HARWIN GROUP AND MUST NOT BE DISCLOSED, LOANED, COPIED OR USED FOR MANUFACTURING, TENDERING OR FOR ANY OTHER PURPOSE WITHOUT THEIR WRITTEN PERMISSION.

**TOLERANCES**  
 X. = ±1mm  
 X.X = ±0.50mm  
 X.XX = ±0.20mm  
 X.XXX = ±0.01mm  
 ANGLES = ±5°  
 UNLESS STATED

**MATERIAL:**  
 SEE ABOVE  
**FINISH:** SEE ABOVE  
**S/AREA:** mm<sup>2</sup>

**TITLE:**  
 PANEL MOUNT CONNECTOR

**DRAWING NUMBER:**  
 C90-3102RXXSX-XX

SHT  
 2 OF 2

## X-ON Electronics

Largest Supplier of Electrical and Electronic Components

*Click to view similar products for [Circular MIL Spec Connector](#) category:*

*Click to view products by [Harwin](#) manufacturer:*

Other Similar products are found below :

[0025-262-542](#) [0025-264-3014](#) [58-570121-04S](#) [0134-202-1200](#) [0134-207-1206](#) [0134-207-1800](#) [0134-207-2207](#) [0134-213-0806](#) [0134-213-1007](#) [0134-213-1009](#) [0134-213-1208](#) [0134-213-1800](#) [0134-213-2209](#) [0025-258-000](#) [015-9516-002](#) [60-042722-19P](#) [0114-201-1278](#) [602GB06EG24-61SN](#) [0134-201-1207](#) [0134-201-1806](#) [0134-201-2006](#) [0134-201-2007](#) [0134-201-2010](#) [0134-202-1400](#) [0134-207-0809](#) [0134-207-1208](#) [0134-207-2009](#) [0134-213-1006](#) [6104-207-2302](#) [6104-208-1902](#) [6131-202-19149P](#) [6131-204-21149P](#) [6131-207-13149P](#) [6131-208-13149P](#) [6131-209-17149P](#) [6131-210-11149P](#) [6131-211-19149P](#) [6131-216-19149P](#) [6131-220-25149P](#) [6131-259-11149P](#) [6131-259-21149P](#) [6131-259-23149P](#) [6131-263-19149P](#) [6131-265-17149P](#) [6131-265-19149P](#) [CS3102A-20-15P](#) [CS3102A-20-15S](#) [CS3102C18-4P-472](#) [CS3106A-20-29P](#) [CS3106A-20-74P](#)