

Customer Information Sheet

DRAWING No.: C90-3106FXXSX-XX

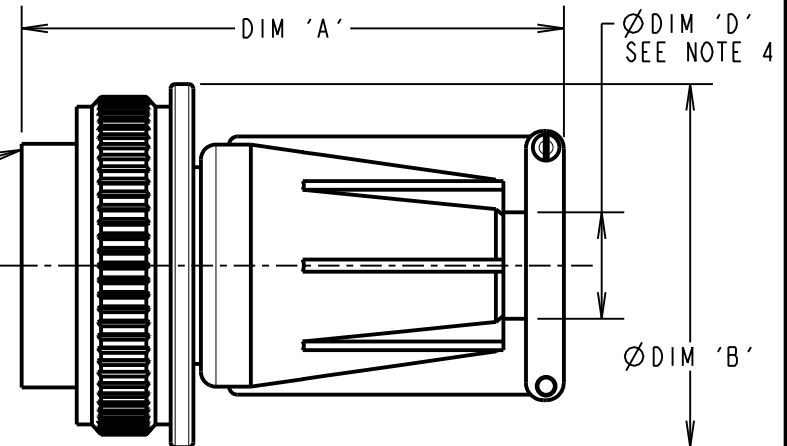
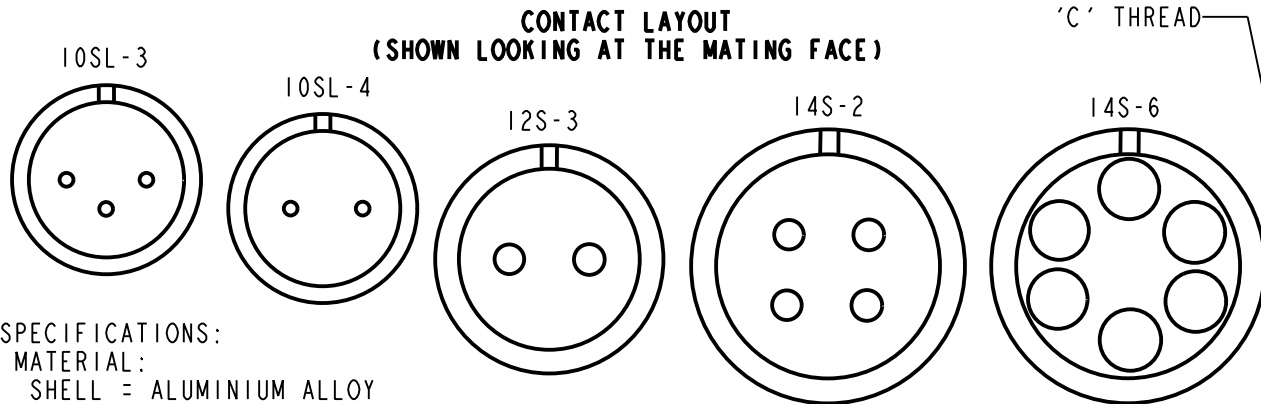
IF IN DOUBT - ASK

©

NOT TO SCALE

THIRD ANGLE PROJECTION

ALL DIMENSIONS IN mm



SPECIFICATIONS:

MATERIAL:

SHELL = ALUMINIUM ALLOY
 INSULATOR = SYNTHETIC RUBBER
 GROMMET = SYNTHETIC RUBBER
 CONTACT = COPPER ALLOY

FINISH:

SHELL = ZINC COBALT ALLOY, BLACK
 CONTACT = SILVER

ENVIRONMENTAL:

OPERATING TEMPERATURE = -55°C TO +125°C

MECHANICAL:

VIBRATION SENSITIVITY = 10Hz TO 500Hz, 98m/s² (10G)
 SHOCK SEVERITY = 490m/s² (50G) FOR 11ms
 WATER RESISTANCE (SEALING) = 1.8m FOR 48HRS,
 EXCEEDS IP67

ELECTRICAL:

CURRENT RATING = 13A

VOLTAGE RATING:

10SL, 12S SHELL SIZES = 500V AC, 700V DC

14S SHELL SIZE = 200V AC, 250V DC

VOLTAGE PROOF:

10SL & 12S SHELL SIZES = 2,000V AC

14S SHELL SIZES = 1,000V AC

INSULATION RESISTANCE = 5,000MΩ MIN

FOR MECHANICAL/ELECTRICAL REQUIREMENTS,
 SEE COMPONENT SPECIFICATION C045XX (LATEST ISSUE)

ORDER CODE:

C90-3106FXXXX-XX

SHELL SIZE (CONTACT LAYOUT):
 10SL-3, 10SL-4, 12S-3, 14S-2
 14S-6

CONTACT GENDER:

P - MALE
 S - FEMALE

NOTES:

1. PRODUCT IS RoHS COMPLIANT.
2. PRODUCT IS PACKED IN BAGS.
3. RECOMMENDED WIRE SIZE 16-22 AWG.
4. CABLE CLEARANCE.
5. RECOMMENDED WIRE STRIP LENGTH = 7.5mm.

SHELL SIZE	DIM 'A' MAX	Ø DIM 'B'	'C' THREAD	Ø DIM 'D' MAX
10SL	58.72	22.04	5/8-24UNEF	7.14
12S	58.72	25.40	3/4-20UNEF	7.14
14S	58.72	28.30	7/8-20UNEF	10.31

MGP	9	03.06.19	21873
NAME	ISS.	DATE	C/NOTE
APPROVED: MGP			
CHECKED: MR			
DRAWN:		R.ADDE	
CUSTOMER REF.:			
ASSEMBLY DRG:			

HARWIN

www.harwin.com
 technical@harwin.com

THIS DRAWING AND ANY INFORMATION OR DESCRIPTIVE MATTER SET OUT HEREON ARE CONFIDENTIAL AND COPYRIGHT PROPERTY OF THE HARWIN GROUP AND MUST NOT BE DISCLOSED, LOANED, COPIED OR USED FOR MANUFACTURING, TENDERING OR FOR ANY OTHER PURPOSE WITHOUT THEIR WRITTEN PERMISSION.

TOLERANCES
 X. = ±1mm
 X.X = ±0.50mm
 X.XX = ±0.20mm
 X.XXX = ±0.01mm
 ANGLES = ±5°
 UNLESS STATED

MATERIAL:
 SEE ABOVE

FINISH: SEE ABOVE

S/AREA: mm²

TITLE:

STRAIGHT PLUG

DRAWING NUMBER:

C90-3106FXXSX-XX

SHT
 2 OF 2

X-ON Electronics

Largest Supplier of Electrical and Electronic Components

Click to view similar products for [Circular MIL Spec Connector](#) category:

Click to view products by [Harwin](#) manufacturer:

Other Similar products are found below :

[0025-262-542](#) [0025-264-3014](#) [58-570121-04S](#) [0134-202-1200](#) [0134-207-1206](#) [0134-207-1800](#) [0134-207-2207](#) [0134-213-0806](#) [0134-213-1007](#) [0134-213-1009](#) [0134-213-1208](#) [0134-213-1800](#) [0134-213-2209](#) [0025-258-000](#) [015-9516-002](#) [60-042722-19P](#) [0114-201-1278](#) [602GB06EG24-61SN](#) [0134-201-1207](#) [0134-201-1806](#) [0134-201-2006](#) [0134-201-2007](#) [0134-201-2010](#) [0134-202-1400](#) [0134-207-0809](#) [0134-207-1208](#) [0134-207-2009](#) [0134-213-1006](#) [6104-207-2302](#) [6104-208-1902](#) [6104-215-0902](#) [6131-202-19149P](#) [6131-204-21149P](#) [6131-207-13149P](#) [6131-208-13149P](#) [6131-209-17149P](#) [6131-210-11149P](#) [6131-211-19149P](#) [6131-216-19149P](#) [6131-220-25149P](#) [6131-259-11149P](#) [6131-259-21149P](#) [6131-259-23149P](#) [6131-263-19149P](#) [6131-265-17149P](#) [6131-265-19149P](#) [CS3102A-20-15P](#) [CS3102A-20-15S](#) [CS3102C18-4P-472](#) [CS3106A-20-29P](#)