

# Customer Information Sheet

DRAWING No.: D01-979XXXX

SHEET 2 OF 2

IF IN DOUBT - ASK

(C)

NOT TO SCALE

THIRD ANGLE PROJECTION

ALL DIMENSIONS IN mm

**SPECIFICATIONS:**

**MATERIAL**

CARRIER = BRASS  
 CONTACT SHELL = BRASS  
 CONTACT CLIP = BERYLLIUM COPPER

**FINISH:**

01 = 0.1µ GOLD CLIP, 4µ TIN SHELL  
 05 = 0.1µ GOLD CLIP 0.13µ GOLD SHELL

**ELECTRICAL:**

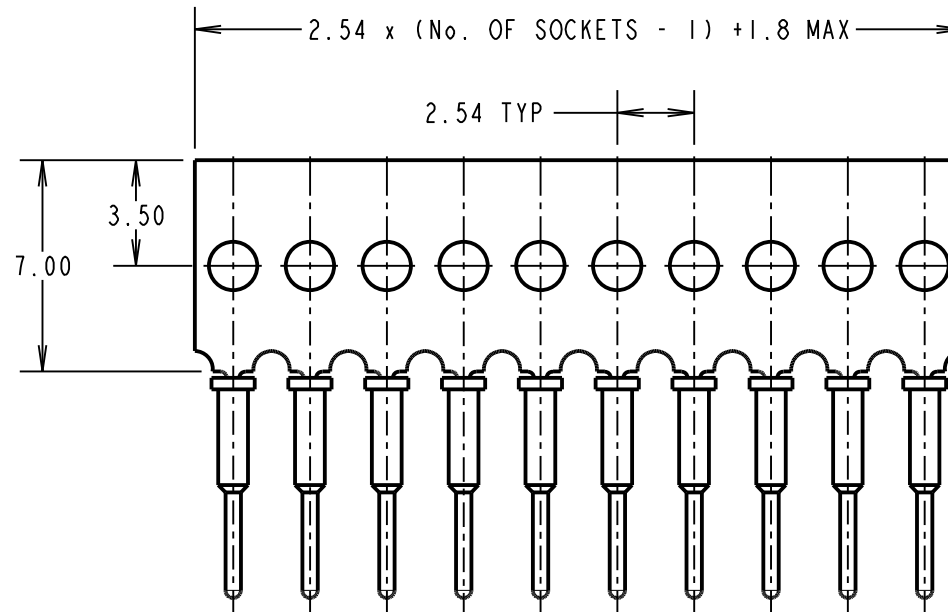
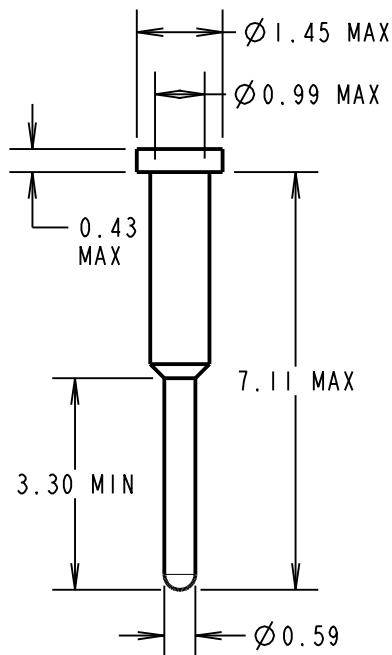
CURRENT RATING = 2 AMPS MAX  
 CONTACT RESISTANCE = 25mΩ MAX

**MECHANICAL:**

DURABILITY = 01, 05 = 500 CYCLES  
 INSERTION FORCE = 6N MAX, 2N MIN  
 WITHDRAWAL FORCE = 1.5 MAX 0.5 MIN

**ENVIRONMENTAL:**

OPERATING TEMPERATURE = -55°C TO +100°C  
 FOR COMPLETE SPECIFICATION, SEE COMPONENT SPECIFICATION C006 (LATEST ISSUE)



**ORDER CODE:**

**D01-979XXXX**

No. OF SOCKETS \_\_\_\_\_

04 TO 32

FINISH: \_\_\_\_\_

01 = GOLD CLIP, TIN SHELL  
 05 = GOLD CLIP, GOLD SHELL

**NOTES:**

1. RECOMMENDED HOLE SIZE =  $\varnothing$ 1.00-1.10mm
2. MAXIMUM PIN LENGTH = 3.15mm
3. RECOMMENDED PIN DIAMETER =  $\varnothing$ 0.41-0.51mm
4. MAXIMUM CONTACT DEPTH = 2.26mm

MSP	6	24.11.14	12677
NAME	ISS.	DATE	C/NOTE
APPROVED: M.PERREN			
CHECKED: M.PLESTED			
DRAWN: M.PERREN			
CUSTOMER REF.:			
ASSEMBLY DRG:			

**HARWIN**

www.harwin.com  
 technical@harwin.com

THIS DRAWING AND ANY INFORMATION OR DESCRIPTIVE MATTER SET OUT HEREON ARE CONFIDENTIAL AND COPYRIGHT PROPERTY OF THE HARWIN GROUP AND MUST NOT BE DISCLOSED, LOANED, COPIED OR USED FOR MANUFACTURING, TENDERING OR FOR ANY OTHER PURPOSE WITHOUT THEIR WRITTEN PERMISSION.

**TOLERANCES**

X. = ±1mm  
 X.X = ±0.25mm  
 X.XX = ±0.10mm  
 X.XXX = ±0.01mm

ANGLES = ±5°  
 UNLESS STATED

**MATERIAL:**

SEE ABOVE

FINISH: SEE ABOVE

S/AREA: mm<sup>2</sup>

**TITLE:**

H3192-XX SUB-MIN SOCKETS ON CARRIER STRIP

DRAWING NUMBER:

**D01-979XXXX**

SHT  
 2 OF 2

## X-ON Electronics

Largest Supplier of Electrical and Electronic Components

*Click to view similar products for [IC & Component Sockets](#) category:*

*Click to view products by [Harwin](#) manufacturer:*

Other Similar products are found below :

[0066-3-17-15-30-14-02-0](#) [670](#) [672](#) [673](#) [712-93-120-41-001000](#) [714-93-104-31-018000](#) [8059-4G1-LF](#) [807-22-001-10-001101](#) [807-22-001-10-006101](#) [807-22-001-30-011101](#) [807-22-001-30-012101](#) [807-22-001-30-013101](#) [807-22-001-30-014101](#) [8-1437531-4](#) [8150-6P10](#) [833-93-034-10-001000](#) [851-41-006-10-001000](#) [851-43-008-20-001000](#) [851-43-014-20-001000](#) [851-93-006-20-001000](#) [851-93-010-20-001000](#) [853-43-020-10-001000](#) [86.010.0053.0](#) [116-43-308-41-007000](#) [PX-68LCC](#) [121-13-318-41-001000](#) [121-13-320-41-001000](#) [121-13-308-41-001000](#) [123-43-314-41-801000](#) [123-43-420-41-001000](#) [123-87-320-41-001101](#) [122-13-316-41-001000](#) [123-13-624-41-001000](#) [123-43-306-41-001000](#) [12-3513-11](#) [123-91-320-41-001000](#) [126-43-310-41-002000](#) [AKSUN 37V-T](#) [1437503-9](#) [1437504-1](#) [146-44-308-41-013000](#) [APO-320-G-T](#) [146-43-308-41-012000](#) [160-10-308-00-001000](#) [160-40-320-00-001000](#) [214-99-306-01-670800](#) [232-1270-02-0602](#) [2-382761-4](#) [2-5331677-4](#) [2-640360-3](#)