

# Customer Information Sheet

DRAWING No.: D01-984XXXX

SHEET 2 OF 2

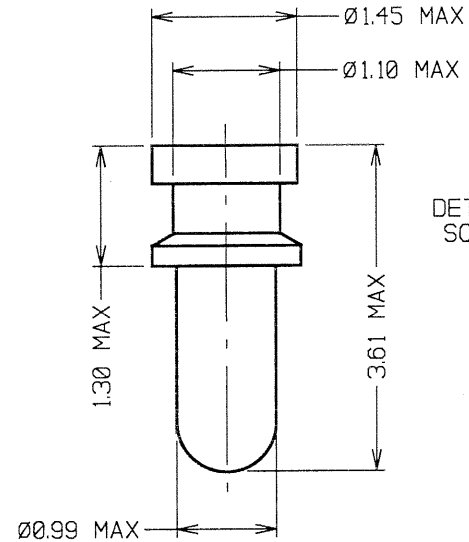
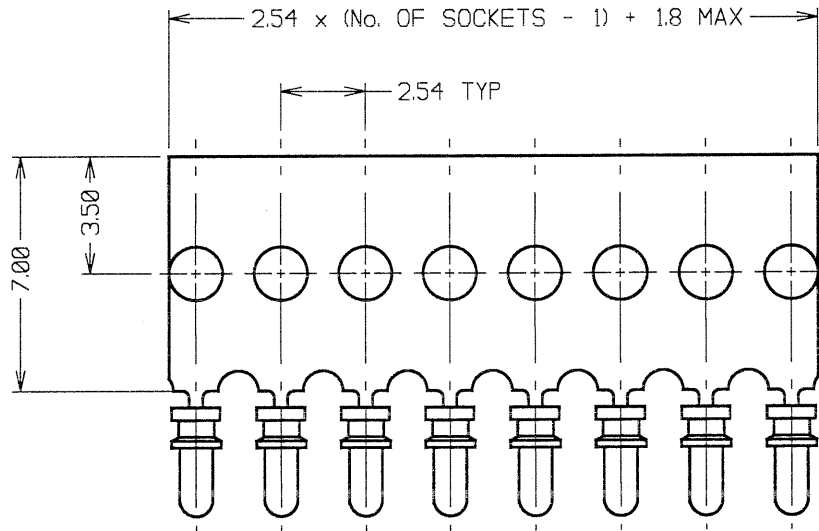
IF IN DOUBT - ASK

©

NOT TO SCALE

THIRD ANGLE PROJECTION

ALL DIMENSIONS IN mm



DETAILED VIEW OF SOCKET H3155-XX

**SPECIFICATIONS:**

**MATERIAL:**

CARRIER - BRASS  
CONTACT SHELL - BRASS  
CONTACT CLIP - BERYLLIUM COPPER

**FINISH:**

Ø1 - 0.1µ GOLD CLIP, 4µ TIN SHELL  
Ø5 - 0.1µ GOLD CLIP, 0.13µ GOLD SHELL

**ELECTRICAL:**

CURRENT RATING = 2 AMPS MAX  
CONTACT RESISTANCE = 25 MILLIOHMS MAX

**MECHANICAL:**

DURABILITY = 500 CYCLES  
INSERTION FORCE = 6N MAX, 2N MIN  
WITHDRAWAL FORCE = 1.5N MAX, 0.5N MIN

**ENVIRONMENTAL:**

OPERATING TEMPERATURE = -55°C TO +100°C  
FOR COMPLETE SPECIFICATION, SEE COMPONENT SPECIFICATION C006XX (LATEST ISSUE)

**NOTES:**

1. RECOMMENDED HOLE SIZE = Ø1.10-1.00mm.
2. MAXIMUM PIN LENGTH = 3.15mm.
3. RECOMMENDED PIN DIAMETER = Ø0.51-0.41mm.
4. MAXIMUM CONTACT DEPTH = 2.26mm.

ORDER CODE:

**D01-984XXXX**

NO. OF SOCKETS \_\_\_\_\_  
Ø4 TO 32

FINISH: \_\_\_\_\_

Ø1 = GOLD CLIP, TIN SHELL  
Ø5 = GOLD CLIP, GOLD SHELL

JMB	8	16.03.06	9093
NAME	ISS.	DATE	C/NOTE
APPROVED: <i>[Signature]</i>			
CHECKED: <i>[Signature]</i>			
DRAWN:		J. KEIR	
CUSTOMER REF.:			
ASSEMBLY DRG:			

## HARWIN

THIS DRAWING AND ANY INFORMATION OR DESCRIPTIVE MATTER SET OUT HEREON ARE CONFIDENTIAL AND COPYRIGHT PROPERTY OF THE HARWIN GROUP AND MUST NOT BE DISCLOSED, LOANED, COPIED OR USED FOR MANUFACTURING, TENDERING OR FOR ANY OTHER PURPOSE WITHOUT THEIR WRITTEN PERMISSION.

**TOLERANCES**

X. = ±1mm  
X.X = ±0.25mm  
X.XX = ±0.10mm  
X.XXX = ±0.01mm  
ANGLES = ±5°  
UNLESS STATED

**MATERIAL:**

SEE ABOVE

FINISH: SEE ABOVE

S/AREA: \_\_\_\_\_ mm<sup>2</sup>

**TITLE:**

H3155-XX SUB-MIN SOCKETS ON CARRIER STRIP

DRAWING NUMBER:

**D01-984XXXX**

HARWIN USA TEL: 603 893 5376 FAX: 603 893 5396 mis@harwin.com	HARWIN Europe (UK) TEL: 023 9231 4545 FAX: 023 9231 4590 mis@harwin.co.uk	HARWIN Asia TEL: +65 6 779 4909 FAX: +65 6 779 3868 mis@harwin.com.sg
--	--	--

SHT  
2 OF  
2

## X-ON Electronics

Largest Supplier of Electrical and Electronic Components

*Click to view similar products for [IC & Component Sockets](#) category:*

*Click to view products by [Harwin](#) manufacturer:*

Other Similar products are found below :

[0066-3-17-15-30-14-02-0](#) [670](#) [672](#) [673](#) [712-93-120-41-001000](#) [714-93-104-31-018000](#) [8059-4G1-LF](#) [807-22-001-10-001101](#) [807-22-001-10-006101](#) [807-22-001-30-011101](#) [807-22-001-30-012101](#) [807-22-001-30-013101](#) [807-22-001-30-014101](#) [8-1437531-4](#) [8150-6P10](#) [833-93-034-10-001000](#) [851-41-006-10-001000](#) [851-43-008-20-001000](#) [851-43-014-20-001000](#) [851-93-006-20-001000](#) [851-93-010-20-001000](#) [853-43-020-10-001000](#) [86.010.0053.0](#) [116-43-308-41-007000](#) [PX-68LCC](#) [121-13-318-41-001000](#) [121-13-320-41-001000](#) [121-13-308-41-001000](#) [123-43-314-41-801000](#) [123-43-420-41-001000](#) [123-87-320-41-001101](#) [122-13-316-41-001000](#) [123-13-624-41-001000](#) [123-43-306-41-001000](#) [12-3513-11](#) [123-91-320-41-001000](#) [126-43-310-41-002000](#) [AKSUN 37V-T](#) [1437503-9](#) [1437504-1](#) [146-44-308-41-013000](#) [APO-320-G-T](#) [146-43-308-41-012000](#) [160-10-308-00-001000](#) [160-40-320-00-001000](#) [214-99-306-01-670800](#) [232-1270-02-0602](#) [2-382761-4](#) [2-5331677-4](#) [2-640360-3](#)