

# Customer Information Sheet

DRAWING No.: D01-995XX42

SHEET 2 OF 2

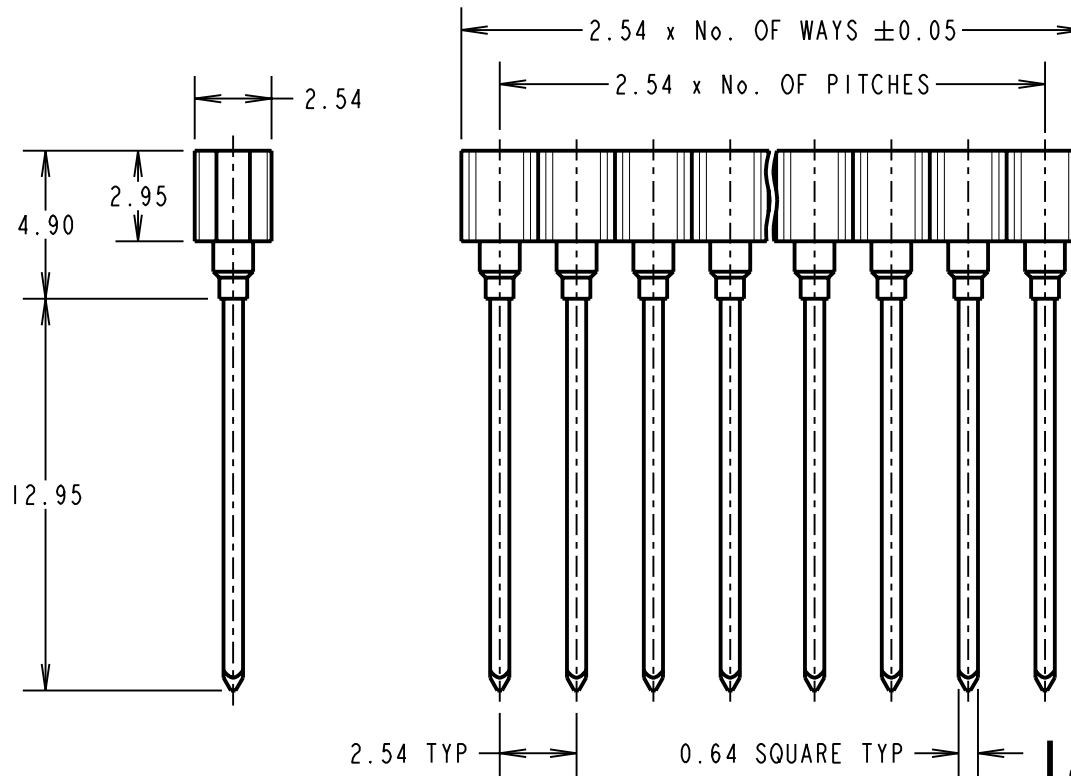
IF IN DOUBT - ASK

(C)

NOT TO SCALE

THIRD ANGLE PROJECTION

ALL DIMENSIONS IN mm



**SPECIFICATION:**

**MATERIAL:**  
 MOULDING = GLASS FILLED PCT, BLACK, UL94V-0, BLACK  
 SHELL = BRASS  
 CLIP = BERYLLIUM COPPER

**FINISH:**  
 CLIP = 0.25u GOLD  
 SHELL = 5.0u 100% TIN

**ELECTRICAL:**  
 CURRENT RATING = 1 AMP  
 VOLTAGE RATING = 100V AC, 150V DC  
 CONTACT RESISTANCE = 10 MILLIOHMS MAX  
 INSULATION RESISTANCE = 10,000 MEGOHMS MIN  
 DIELECTRIC STRENGTH = 1,000V AC MIN

**MECHANICAL:**  
 DURABILITY = 500 OPERATIONS  
 INSERTION FORCE (∅0.46mm GAUGE) = 5N MAX  
 WITHDRAWAL FORCE (∅0.46mm GAUGE) = 0.5N MIN

**ENVIRONMENTAL:**  
 TEMPERATURE RANGE = -55°C TO +125°C

FOR COMPLETE SPECIFICATION, SEE COMPONENT SPECIFICATION C004XX (LATEST ISSUE).

**NOTES:**

1. RECOMMENDED PCB HOLE SIZE = ∅1.00mm.
2. MAXIMUM CONTACT DEPTH = 2.5mm.
3. MAXIMUM MATING PIN LENGTH = 4.0mm
4. RECOMMENDED MATING PIN DIAMETER = ∅0.40mm-0.56mm.

**ORDER CODE:**  
**D01-995XX42**

No. OF WAYS \_\_\_\_\_  
 04-10, 12, 14, 16, 18, 20, 32, 64

FINISH \_\_\_\_\_  
 GOLD CLIP, 100% TIN SHELL

CP	9	14.01.10	10640
NAME	ISS.	DATE	C/NOTE
APPROVED: C.PENROSE			
CHECKED: R.ADDE			
DRAWN: W.J.BOURNE			
CUSTOMER REF.:			
ASSEMBLY DRG:			

**HARWIN**

THIS DRAWING AND ANY INFORMATION OR DESCRIPTIVE MATTER SET OUT HEREON ARE CONFIDENTIAL AND COPYRIGHT PROPERTY OF THE HARWIN GROUP AND MUST NOT BE DISCLOSED, LOANED, COPIED OR USED FOR MANUFACTURING, TENDERING OR FOR ANY OTHER PURPOSE WITHOUT THEIR WRITTEN PERMISSION.

**TOLERANCES**  
 X. = ±1mm  
 X.X = ±0.25mm  
 X.XX = ±0.10mm  
 X.XXX = ±0.01mm  
 ANGLES = ±5°  
 UNLESS STATED

**MATERIAL:**  
 SEE ABOVE

**FINISH:** SEE ABOVE

**S/AREA:** mm<sup>2</sup>

**TITLE:**  
 2.54mm PITCH SIL 3-LEVEL WIRE WRAP IC SOCKET

**DRAWING NUMBER:**  
**D01-995XX42**

SHT 2 OF 2

<b>HARWIN USA</b> TEL: 603 893 5376 FAX: 603 893 5396 mis@harwin.com	<b>HARWIN Europe (UK)</b> TEL: 023 9231 4545 FAX: 023 9231 4590 mis@harwin.co.uk	<b>HARWIN Asia</b> TEL: +65 6 779 4909 FAX: +65 6 779 3868 mis@harwin.com.sg
---	---	---

## X-ON Electronics

Largest Supplier of Electrical and Electronic Components

*Click to view similar products for [IC & Component Sockets](#) category:*

*Click to view products by [Harwin](#) manufacturer:*

Other Similar products are found below :

[0066-3-17-15-30-14-02-0](#) [670](#) [672](#) [673](#) [712-93-120-41-001000](#) [714-93-104-31-018000](#) [8059-4G1-LF](#) [807-22-001-10-001101](#) [807-22-001-10-006101](#) [807-22-001-30-011101](#) [807-22-001-30-012101](#) [807-22-001-30-013101](#) [807-22-001-30-014101](#) [8-1437531-4](#) [8150-6P10](#) [833-93-034-10-001000](#) [851-41-006-10-001000](#) [851-43-008-20-001000](#) [851-43-014-20-001000](#) [851-93-006-20-001000](#) [851-93-010-20-001000](#) [853-43-020-10-001000](#) [86.010.0053.0](#) [116-43-308-41-007000](#) [PX-68LCC](#) [121-13-318-41-001000](#) [121-13-320-41-001000](#) [121-13-308-41-001000](#) [123-43-314-41-801000](#) [123-43-420-41-001000](#) [123-87-320-41-001101](#) [122-13-316-41-001000](#) [123-13-624-41-001000](#) [123-43-306-41-001000](#) [12-3513-11](#) [123-91-320-41-001000](#) [126-43-310-41-002000](#) [AKSUN 37V-T](#) [1437503-9](#) [1437504-1](#) [146-44-308-41-013000](#) [APO-320-G-T](#) [146-43-308-41-012000](#) [160-10-308-00-001000](#) [160-40-320-00-001000](#) [214-99-306-01-670800](#) [232-1270-02-0602](#) [2-382761-4](#) [2-5331677-4](#) [2-640360-3](#)