

# Customer Information Sheet

DRAWING No.: D01-997XX42

SHEET 2 OF 2

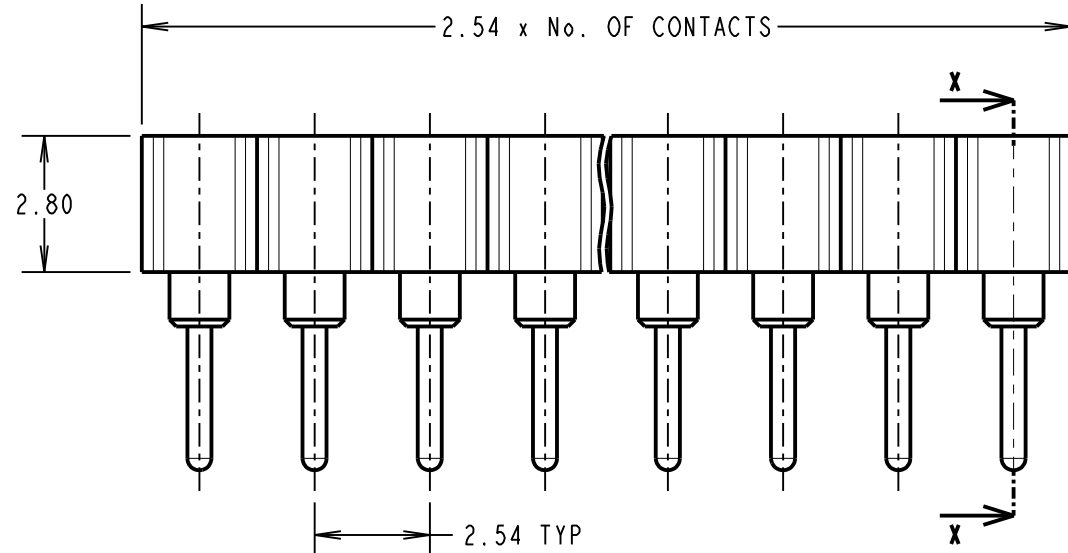
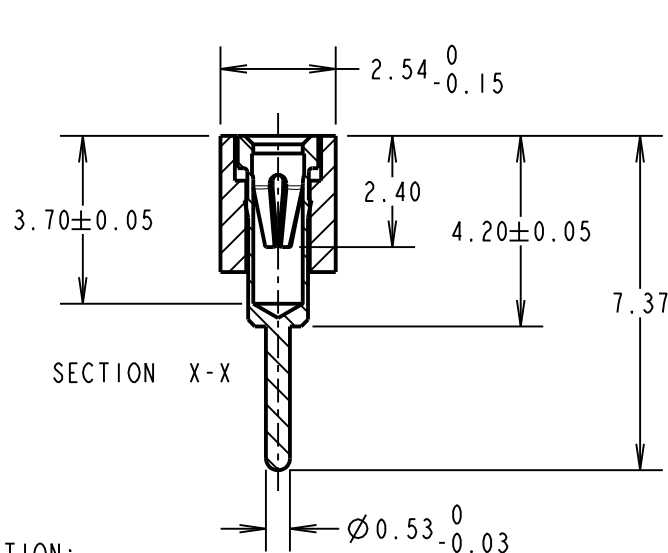
IF IN DOUBT - ASK

(C)

NOT TO SCALE

THIRD ANGLE PROJECTION

ALL DIMENSIONS IN mm



**SPECIFICATION:**

**MATERIAL:**

CARRIER = GLASS FILLED PCT, BLACK, UL94V-0  
 SHELL = BRASS  
 CONTACT = BERYLLIUM COPPER

**FINISH:**

SHELL = 5µ 100% TIN OVER NICKEL  
 CLIP = GOLD FLASH OVER NICKEL

**ELECTRICAL:**

CURRENT RATING = 1A  
 CONTACT RESISTANCE = 10 MILLIOHMS MAX  
 INSULATION RESISTANCE = 10000 MEGOHMS MIN  
 DIELECTRIC WITHSTANDING = 1000V AC

**MECHANICAL:**

INSERTION FORCE (Ø0.46mm GAUGE) = 5N MAX  
 WITHDRAWAL FORCE (Ø0.46mm GAUGE) = 0.5N MIN  
 DURABILITY = 500 CYCLES MIN.

**ENVIRONMENTAL:**

TEMPERATURE RANGE = -55°C TO +125°C

**NOTES:**

1. RECOMMENDED PCB SIZE = 1.4-2.0mm
2. RECOMMENDED PIN SIZE = Ø0.40-0.56mm
3. RECOMMENDED PCB HOLE SIZE = Ø0.8mm

ORDER CODE:

**D01-997XX42**

No. OF CONTACTS: \_\_\_\_\_  
 01 TO 32, 48, 64

FINISH: \_\_\_\_\_  
 GOLD CLIP, 100% TIN SHELL

SB	11	18.03.13	11980
NAME	ISS.	DATE	C/NOTE
APPROVED:		S.BENNETT	
CHECKED:		S.FLOWER	
DRAWN:		D.BECK	
CUSTOMER REF.:			
ASSEMBLY DRG:			

**HARWIN**

www.harwin.com  
 technical@harwin.com

THIS DRAWING AND ANY INFORMATION OR DESCRIPTIVE MATTER SET OUT HEREON ARE CONFIDENTIAL AND COPYRIGHT PROPERTY OF THE HARWIN GROUP AND MUST NOT BE DISCLOSED, LOANED, COPIED OR USED FOR MANUFACTURING, TENDERING OR FOR ANY OTHER PURPOSE WITHOUT THEIR WRITTEN PERMISSION.

**TOLERANCES**

X. = ±1mm  
 X.X = ±0.25mm  
 X.XX = ±0.10mm  
 X.XXX = ±0.01mm  
 ANGLES = ±5°  
 UNLESS STATED

**MATERIAL:**

SEE ABOVE

FINISH: SEE ABOVE

S/AREA: mm<sup>2</sup>

**TITLE:**

SIL THROUGH SOCKET CONNECTOR

DRAWING NUMBER:

**D01-997XX42**

SHT

2 OF 2

## X-ON Electronics

Largest Supplier of Electrical and Electronic Components

*Click to view similar products for [IC & Component Sockets](#) category:*

*Click to view products by [Harwin](#) manufacturer:*

Other Similar products are found below :

[0066-3-17-15-30-14-02-0](#) [670](#) [672](#) [673](#) [712-93-120-41-001000](#) [714-93-104-31-018000](#) [8059-4G1-LF](#) [807-22-001-10-001101](#) [807-22-001-10-006101](#) [807-22-001-30-011101](#) [807-22-001-30-012101](#) [807-22-001-30-013101](#) [807-22-001-30-014101](#) [8-1437531-4](#) [8150-6P10](#) [833-93-034-10-001000](#) [851-41-006-10-001000](#) [851-43-008-20-001000](#) [851-43-014-20-001000](#) [851-93-006-20-001000](#) [851-93-010-20-001000](#) [853-43-020-10-001000](#) [86.010.0053.0](#) [116-43-308-41-007000](#) [PX-68LCC](#) [121-13-318-41-001000](#) [121-13-320-41-001000](#) [121-13-308-41-001000](#) [123-43-314-41-801000](#) [123-43-420-41-001000](#) [123-87-320-41-001101](#) [122-13-316-41-001000](#) [123-13-624-41-001000](#) [123-43-306-41-001000](#) [12-3513-11](#) [123-91-320-41-001000](#) [126-43-310-41-002000](#) [AKSUN 37V-T](#) [1437503-9](#) [1437504-1](#) [146-44-308-41-013000](#) [APO-320-G-T](#) [146-43-308-41-012000](#) [160-10-308-00-001000](#) [160-40-320-00-001000](#) [214-99-306-01-670800](#) [232-1270-02-0602](#) [2-382761-4](#) [2-5331677-4](#) [2-640360-3](#)