

Customer Information Sheet

DRAWING No.: D2899-42

SHEET 2 OF 2

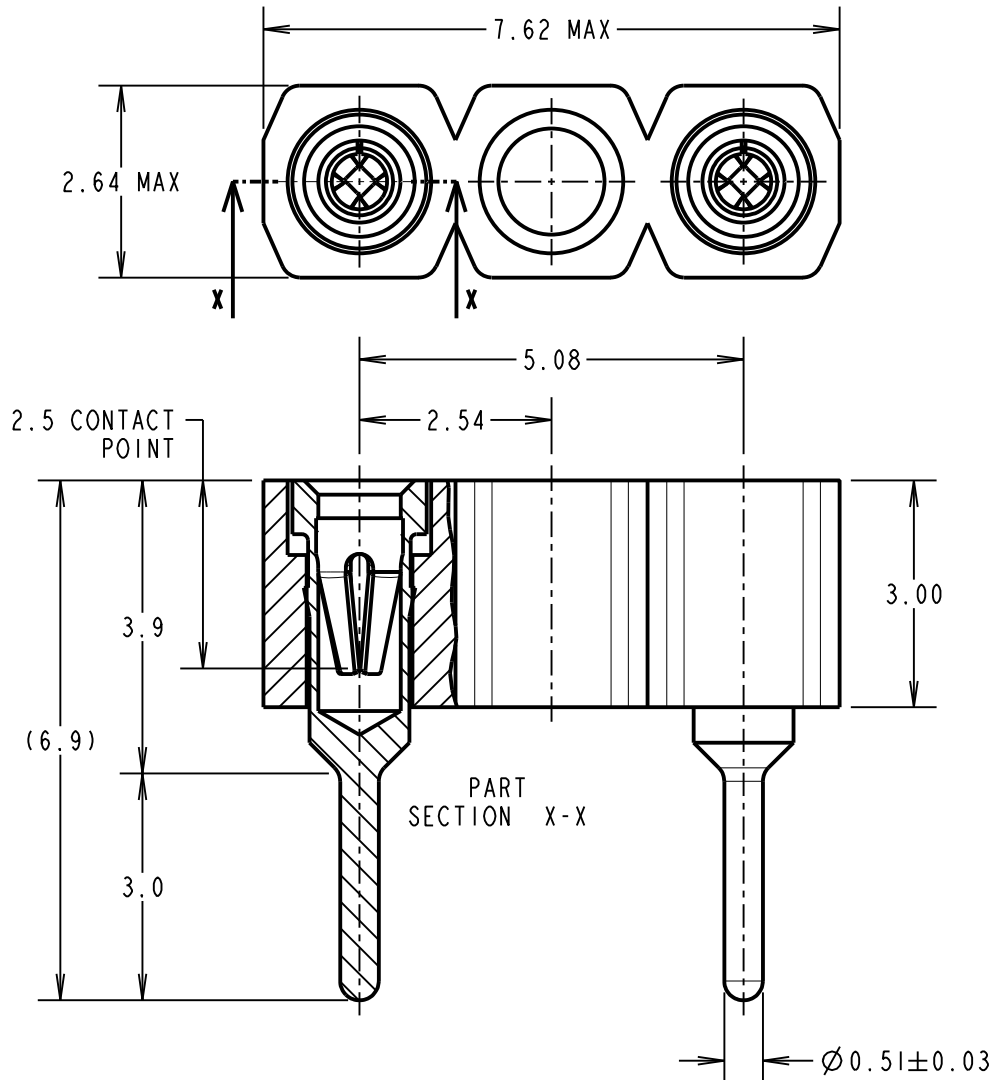
IF IN DOUBT - ASK

(C)

NOT TO SCALE

THIRD ANGLE PROJECTION

ALL DIMENSIONS IN mm



SPECIFICATION:

MATERIAL:

MOULDING = GLASS-FILLED POLYAMIDE 46 BLACK, UL94V-0

CONTACT SHELL = BRASS

CONTACT CLIP = BERYLLIUM COPPER

FINISH:

CONTACT SHELL = 5.0µ 100% TIN

CONTACT CLIP = GOLD FLASH

ELECTRICAL:

CURRENT RATING AT 25°C = 1.5A MAX

CURRENT RATING AT 85°C = 0.25A MAX

CONTACT RESISTANCE (INITIAL) = 15 MILLIOHMS MAX

CONTACT RESISTANCE (AFTER CONDITIONING) = 23 MILLIOHMS MAX

INSULATION RESISTANCE (INITIAL) = 1,000 MEGOHMS MIN

INSULATION RESISTANCE (AFTER CONDITIONING) = 100 MEGOHMS MIN

MECHANICAL:

INSERTION FORCE (Ø0.46mm GAUGE) = 5N MAX

WITHDRAWAL FORCE (Ø0.46mm GAUGE) = 0.5N MIN

DURABILITY = 1,000 OPERATIONS

ENVIRONMENTAL:

OPERATING TEMPERATURE = -55°C TO +125°C

FOR COMPLETE MECHANICAL AND ELECTRICAL SPECIFICATION,

SEE COMPONENT SPECIFICATION C004X (LATEST ISSUE).

NOTES:

1. RECOMMENDED PIN SIZE = Ø0.41 TO Ø0.53mm.

2. RECOMMENDED PCB HOLE SIZE = Ø0.80mm.

SB	5	23.10.12	11825
NAME	ISS.	DATE	C/NOTE
APPROVED:		S.BENNETT	
CHECKED:		M.PLESTED	
DRAWN:		J. KEIR	
CUSTOMER REF.:			
ASSEMBLY DRG:			

ORDER CODE:

D2899-42

FINISH: _____

GOLD CLIP / 100% TIN SHELL

HARWIN

www.harwin.com
technical@harwin.com

THIS DRAWING AND ANY INFORMATION OR DESCRIPTIVE MATTER SET OUT HEREON ARE CONFIDENTIAL AND COPYRIGHT PROPERTY OF THE HARWIN GROUP AND MUST NOT BE DISCLOSED, LOANED, COPIED OR USED FOR MANUFACTURING, TENDERING OR FOR ANY OTHER PURPOSE WITHOUT THEIR WRITTEN PERMISSION.

TOLERANCES
X. = ±1mm
X.X = ±0.25mm
X.XX = ±0.10mm
X.XXX = ±0.01mm
ANGLES = ±5°
UNLESS STATED

MATERIAL:
SEE ABOVE

FINISH: SEE ABOVE

S/AREA: mm²

TITLE:
3-WAY I.C. SOCKET
WITH CENTRE SOCKET REMOVED

DRAWING NUMBER:
D2899-42

SHT
2 OF 2

X-ON Electronics

Largest Supplier of Electrical and Electronic Components

Click to view similar products for [IC & Component Sockets](#) category:

Click to view products by [Harwin](#) manufacturer:

Other Similar products are found below :

[0066-3-17-15-30-14-02-0](#) [670](#) [672](#) [673](#) [694-13-640-00-672-000](#) [712-93-120-41-001000](#) [714-93-104-31-018000](#) [8059-4G1-LF](#) [807-22-001-10-001101](#) [807-22-001-10-006101](#) [807-22-001-30-011101](#) [807-22-001-30-012101](#) [807-22-001-30-013101](#) [807-22-001-30-014101](#) [8-1437531-4](#) [8150-6P10](#) [833-93-034-10-001000](#) [851-41-006-10-001000](#) [851-43-008-20-001000](#) [851-43-014-20-001000](#) [851-93-006-20-001000](#) [851-93-010-20-001000](#) [853-43-020-10-001000](#) [86.010.0053.0](#) [116-43-308-41-007000](#) [PX-68LCC](#) [121-13-318-41-001000](#) [121-13-320-41-001000](#) [121-13-308-41-001000](#) [123-43-314-41-801000](#) [123-43-420-41-001000](#) [123-87-320-41-001101](#) [122-13-316-41-001000](#) [123-13-624-41-001000](#) [123-43-306-41-001000](#) [12-3513-11](#) [123-91-320-41-001000](#) [126-43-310-41-002000](#) [AKSUN 37V-T](#) [1437503-9](#) [1437504-1](#) [146-44-308-41-013000](#) [APO-320-G-T](#) [146-43-308-41-012000](#) [160-10-308-00-001000](#) [160-40-320-00-001000](#) [214-99-306-01-670800](#) [232-1270-02-0602](#) [2-382761-4](#) [2-5331677-4](#)