

Customer Information Sheet

DRAWING No.: D830XXC-46

SHEET 2 OF 2

IF IN DOUBT - ASK

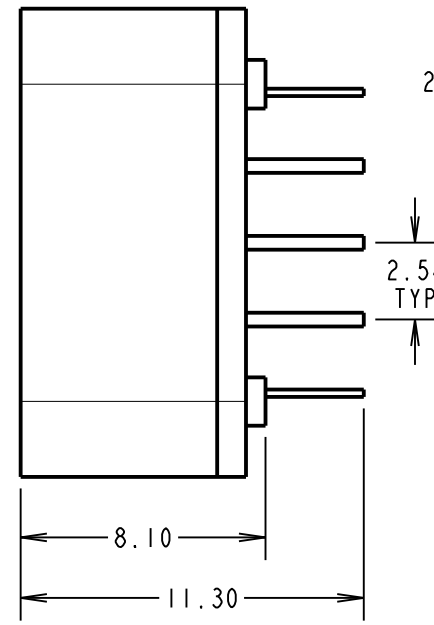
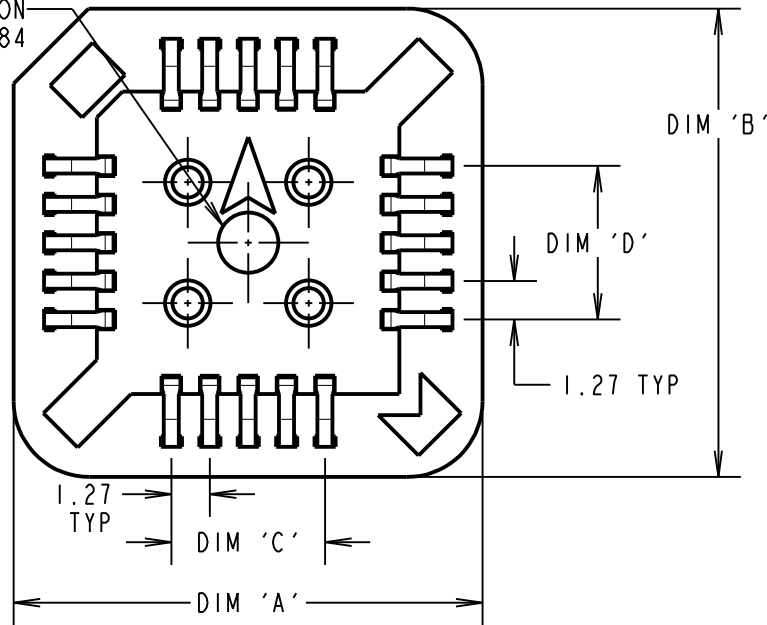
(C)

NOT TO SCALE

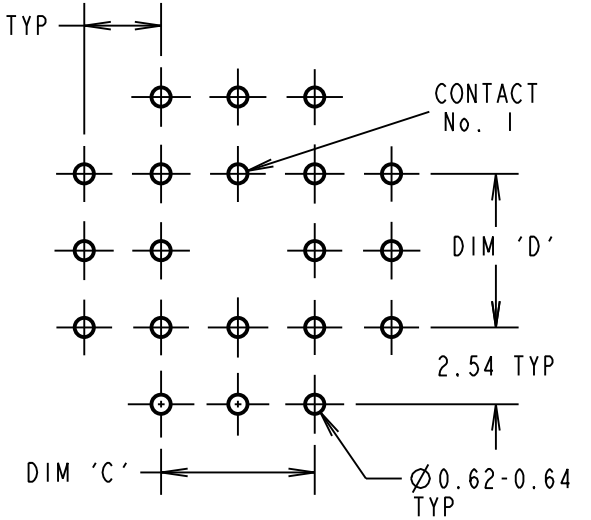
THIRD ANGLE PROJECTION

ALL DIMENSIONS IN mm

FOUR HOLES ON
44, 52, 62, 84



RECOMENDED PCB LAYOUT
(TOLERANCE = ± 0.05)



SPECIFICATION:

MATERIAL:

MOULDING = PPS (BROWN) UL94V-0
CONTACTS = PHOSPHOR BONZE

FINISH:

46 = 100% TIN OVER NICKEL

ELECTRICAL

CURRENT RATING = 1A
CONTACT RESISTANCE = $30m\Omega$ MAX
INSULATION RESISTANCE = $1000M\Omega$ MIN
DIELECTRIC STRENGTH = 600V AC (1 MINUTE)

ENVIRONMENTAL:

OPERATING TEMPERATURE = $-55^{\circ}C$ TO $+105^{\circ}C$
SOLDERING TEMPERATURE = $260^{\circ}C$ FOR 5 SECONDS

PACKING: TUBE

No. OF CONTACTS	DIM 'A'	DIM 'B'	DIM 'C'	DIM 'D'
20	15.50	15.50	5.08	5.08
28	18.04	18.04	7.62	7.62
32	18.04	20.54	7.62	10.16
44	23.48	23.48	12.70	12.70
52	25.88	25.88	15.24	15.24
68	31.04	31.04	20.32	20.32
84	36.04	36.04	25.40	25.40

ORDER CODE:

D830XXC-46

NUMBER OF CONTACTS:
(SEE TABLE)

FINISH:
46 = 100% TIN

MSP	11	30.03.15	12826
NAME	ISS.	DATE	C/NOTE

APPROVED: M.PERREN

CHECKED: S.BENNETT

DRAWN: M.PERREN

CUSTOMER REF.:

ASSEMBLY DRG:

NOTES:

- FOR ELECTRICAL AND MECHANICAL SPECIFICATION SEE COMPONENT SPECIFICATION C020XX (LATEST ISSUE).
- ALL TOLERANCES ARE ± 0.15 UNLESS OTHERWISE STATED.

HARWIN

www.harwin.com
technical@harwin.com

THIS DRAWING AND ANY INFORMATION OR DESCRIPTIVE MATTER SET OUT HEREON ARE CONFIDENTIAL AND COPYRIGHT PROPERTY OF THE HARWIN GROUP AND MUST NOT BE DISCLOSED, LOANED, COPIED OR USED FOR MANUFACTURING, TENDERING OR FOR ANY OTHER PURPOSE WITHOUT THEIR WRITTEN PERMISSION.

TOLERANCES

X. = $\pm 1mm$
X.X = $\pm 0.50mm$
X.XX = $\pm 0.10mm$
X.XXX = $\pm 0.01mm$
ANGLES = $\pm 5^{\circ}$
UNLESS STATED

MATERIAL:

SEE ABOVE

FINISH: SEE ABOVE

S/AREA: mm²

TITLE:

LOW PROFILE PC TAIL
PLCC SOCKET

DRAWING NUMBER:

D830XXC-46

SHT
2 OF 2

X-ON Electronics

Largest Supplier of Electrical and Electronic Components

Click to view similar products for [IC & Component Sockets](#) category:

Click to view products by [Harwin](#) manufacturer:

Other Similar products are found below :

[0066-3-17-15-30-14-02-0](#) [670](#) [672](#) [673](#) [712-93-120-41-001000](#) [714-93-104-31-018000](#) [8059-4G1-LF](#) [807-22-001-10-001101](#) [807-22-001-10-006101](#) [807-22-001-30-011101](#) [807-22-001-30-012101](#) [807-22-001-30-013101](#) [807-22-001-30-014101](#) [8-1437531-4](#) [8150-6P10](#) [833-93-034-10-001000](#) [851-41-006-10-001000](#) [851-43-008-20-001000](#) [851-43-014-20-001000](#) [851-93-006-20-001000](#) [851-93-010-20-001000](#) [853-43-020-10-001000](#) [86.010.0053.0](#) [116-43-308-41-007000](#) [PX-68LCC](#) [121-13-318-41-001000](#) [121-13-320-41-001000](#) [121-13-308-41-001000](#) [123-43-314-41-801000](#) [123-43-420-41-001000](#) [123-87-320-41-001101](#) [122-13-316-41-001000](#) [123-13-624-41-001000](#) [123-43-306-41-001000](#) [12-3513-11](#) [123-91-320-41-001000](#) [126-43-310-41-002000](#) [AKSUN 37V-T](#) [1437503-9](#) [1437504-1](#) [146-44-308-41-013000](#) [APO-320-G-T](#) [146-43-308-41-012000](#) [160-10-308-00-001000](#) [160-40-320-00-001000](#) [214-99-306-01-670800](#) [232-1270-02-0602](#) [2-382761-4](#) [2-5331677-4](#) [2-640360-3](#)