

Customer Information Sheet

DRAWING No.: G125-150005

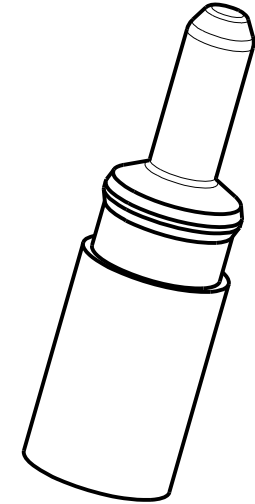
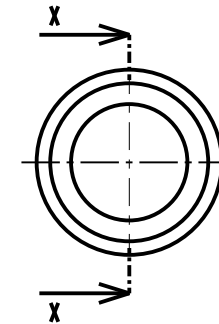
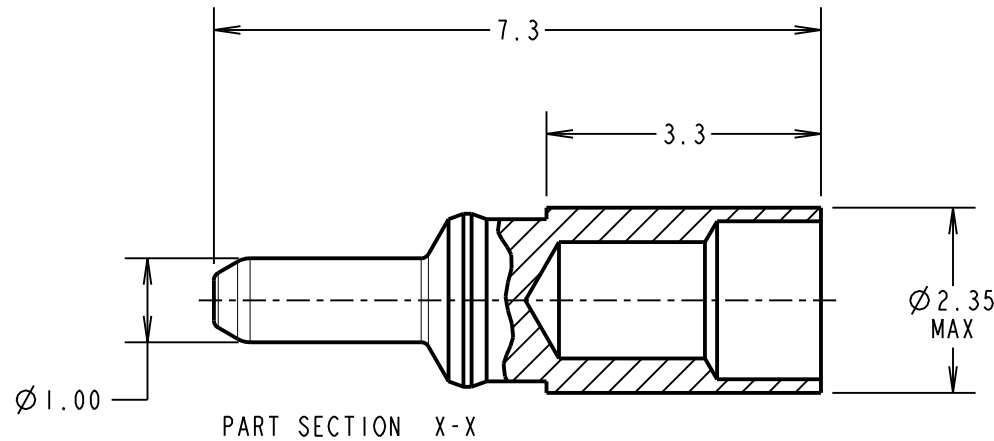
IF IN DOUBT - ASK

©

NOT TO SCALE

THIRD ANGLE PROJECTION

ALL DIMENSIONS IN mm



SPECIFICATION:

MATERIAL = BERYLLIUM COPPER
 FINISH = 0.76-1.00µm GOLD OVER 1.50-2.50µm
 NICKEL AND COPPER FLASH

MECHANICAL:
 DURABILITY = 1000 OPERATIONS

ENVIRONMENTAL:
 OPERATING TEMPERATURE = -50°C TO +150°C

PACKING:
 BAGS OF 100

FOR COMPLETE CONNECTOR SPECIFICATION, SEE
 COMPONENT SPECIFICATION C125XX (LATEST ISSUE)

NOTES:

- SUITABLE FOR WIRE GAUGE 18AWG. MAXIMUM INSULATION DIAMETER Ø1.80mm, M22759/11 WIRE RECOMMENDED. STRIP WIRE BY 2.00mm FOR CRIMPING.
- RECOMMENDED CRIMP TOOL = Z125-903, POSITIONER = Z125-904.
- FOR INSTRUCTIONS ON HAND CRIMP TOOL Z125-903, SEE INSTRUCTION SHEET IS-44.
- FOR INSTRUCTIONS ON CONTACT ASSEMBLY, SEE TOOLING INSTRUCTION SHEET IS-47.

MGP	2	26.03.21	30441
NAME	ISS.	DATE	CN/CO
APPROVED: MGP			
CHECKED: MR			
DRAWN: R.PORTLOCK			
CUSTOMER REF.:			
ASSEMBLY DRG:			

HARWIN

www.harwin.com
 technical@harwin.com

THIS DRAWING AND ANY INFORMATION OR DESCRIPTIVE MATTER SET OUT HEREON ARE CONFIDENTIAL AND COPYRIGHT PROPERTY OF THE HARWIN GROUP AND MUST NOT BE DISCLOSED, LOANED, COPIED OR USED FOR MANUFACTURING, TENDERING OR FOR ANY OTHER PURPOSE WITHOUT THEIR WRITTEN PERMISSION.

TOLERANCES
 X. = ±1mm
 X.X = ±0.50mm
 X.XX = ±0.20mm
 X.XXX = ±0.01mm
 ANGLES = ±5°
 UNLESS STATED

MATERIAL:
 SEE ABOVE
FINISH: SEE ABOVE
S/AREA: mm²

TITLE:
 GECKO-MT MALE CRIMP
 STRIGHT POWER CONTACT
DRAWING NUMBER:
 G125-150005

SHT
 2 OF 2

MALE PC-TAIL/SMT = PHOSPHOR BRONZE
 MALE CRIMP = BRASS
 ALL FEMALE CONTACTS = BERYLLIUM COPPER
 POWER CONTACTS:
 ALL CONTACTS = BERYLLIUM COPPER

LOCKING HARDWARE:
 LATCHES: COPPER NICKEL TIN ALLOY
 SCREW LOCK: STAINLESS STEEL

BACK POTTING COMPOUND (CABLE ASSEMBLIES ONLY):
 STYCAST 2651 MM BACK POTTING WITH CATALYST 9

FINISH:
 ALL SIGNAL CONTACTS:
 0.2-0.3 μ m GOLD OVER NICKEL
 ALL POWER CONTACTS:
 0.76-1.00 μ m GOLD OVER 1.50-2.50 μ m NICKEL
 AND COPPER FLASH
 LATCHES:
 3.0 μ m 100% TIN OVER NICKEL

MECHANICAL:
 DURABILITY = 1000 OPERATIONS
 RETENTION IN HOUSING (ALL CONTACTS) = 6.0N MIN
 SIGNAL CONTACTS:
 INSERTION FORCE = 2.8N MAX
 WITHDRAWAL FORCE = 0.2N MIN
 POWER CONTACTS:
 INSERTION FORCE = 7.0N MAX
 WITHDRAWAL FORCE = 0.2N MIN
 SCREW-LOK:
 RETENTION IN HOUSING = 20.0N MIN
 LATCHES:
 RETENTION IN HOUSING = 4.0N MIN

ENVIRONMENTAL:
 CLASSIFICATION: 65/150/56 DAYS AT 93% RH

10Hz TO 2000Hz, 1.5mm, 198mm/s² (20G). DUR
 * EIA-364-28D : 1999: TEST CONDITION IV: VIB
 10Hz TO 2000Hz, 1.5mm, 198mm/s² (20G). DUR
 * EIA-364-27B : 1996: TEST CONDITION E SHOCK
 (100G) FOR 6ms IN Z AXIS, 490mm/s² (50G)
 * EIA-364-01A : 2000: ACCELERATION: 490mm/s²
 * BUMP SEVERITY: 390mm/s² (40G), 4000 \pm 10 BUM
 * TESTED WITH LATCHED CONNECTORS

ELECTRICAL:
 CURRENT RATING:
 SIGNAL CONTACTS:
 EIA-364-70A : 1998: INDIVIDUAL CONTACT IN
 EIA-364-70A : 1998: ALL CONTACTS SIMULTAN
 POWER CONTACTS:
 EIA-364-70A : 1998: PER CONTACT, THROUGH
 CONTACT RESISTANCE:
 EIA-364-06C : 2006: INITIAL CONTACT RESISTA
 EIA-364-06C : 2006: CONTACT RESISTANCE AFTE
 VOLTAGE PROOF:
 EIA-364-20C : 2004: SEA LEVEL (1013mbar) =
 EIA-364-20C : 2004: ALTITUDE LEVEL (44mbar,
 WORKING VOLTAGE:
 AT SEA LEVEL (1006mbar) = 450V DC/AC PEAK
 AT ALTITUDE (44mbar, 21,336m/70,000ft) = 25
 INSULATION RESISTANCE:
 EIA-364-21C : 2000: INSULATION RESISTANCE (
 = 10G Ω MIN AT 500V DC
 EIA-364-21C : 2000: INSULATION RESISTANCE (
 = >1G Ω MIN AT 500V DC

FOR FULL COMPONENT SPECIFICATION SEE C125XX (LA



PATENTED TECHNOLOGY

HARWIN
 www.harwin.com
 technical@harwin.com

THIS DRAWING AND ANY
 INFORMATION OR DESCRIPTIVE
 MATTER SET OUT HEREON ARE
 CONFIDENTIAL AND COPYRIGHT
 PROPERTY OF THE HARWIN
 GROUP AND MUST NOT BE
 DISCLOSED, LOANED, COPIED
 OR USED FOR MANUFACTURING,
 TENDERING OR FOR ANY
 OTHER PURPOSE WITHOUT
 THEIR WRITTEN PERMISSION.

TOLERANCES	
X.	= \pm 1mm
X.X	= \pm 0.50mm
X.XX	= \pm 0.20mm
X.XXX	= \pm 0.01mm
ANGLES = \pm 5°	
UNLESS STATED	

MATER
 FINI
 S/ARI

X-ON Electronics

Largest Supplier of Electrical and Electronic Components

Click to view similar products for [Headers & Wire Housings](#) category:

Click to view products by [Harwin](#) manufacturer:

Other Similar products are found below :

[892-18-020-10-001101](#) [58102-G61-06LF](#) [582553-1](#) [0009485154](#) [009176003701906](#) [0050291907](#) [LY20-4P-DT1-P1E-BR](#) [02.125.8002.8](#)
[609-3404](#) [61062-3](#) [622-0430](#) [622-3653LF](#) [63453-116](#) [636-1030](#) [636-1427](#) [636-3427](#) [636-4007](#) [641938-9](#) [641991-4](#) [644827-2](#) [65817-010LF](#)
[65817-015LF](#) [65863-015LF](#) [66207-023LF](#) [67095-007LF](#) [67601157](#) [68648-049](#) [70.362.1628.0](#) [70-4210](#) [70-4226B](#) [70-4853B](#) [707-5020](#) [707-](#)
[5028](#) [71.350.2428.0](#) [71918-208LF](#) [71961-016LF](#) [733-134](#) [733-162](#) [754199-000](#) [760-3052](#) [787-8014-00](#) [79531-3000](#) [FCN-360C032-B](#) [FCN-](#)
[367T-T012/H](#) [FCN-723D010/2](#) [80.063.4001.1](#) [800-90-001-10-001000](#) [800-90-010-10-002000](#) [801-43-002-10-013000](#) [801-43-006-10-002000](#)