

Customer Information Sheet

DRAWING No.: G125-224XX96F5

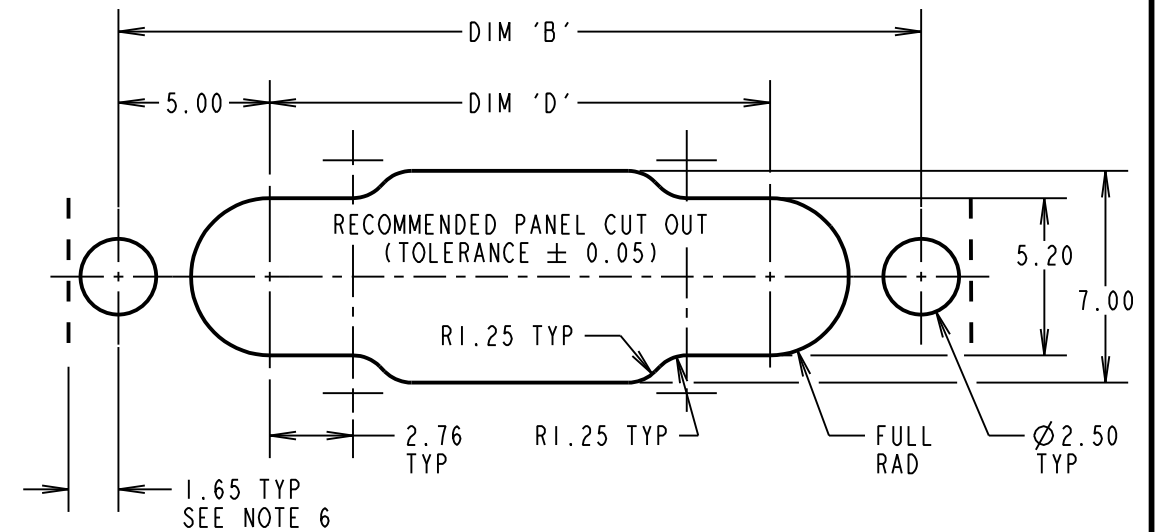
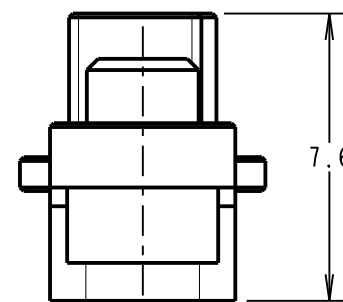
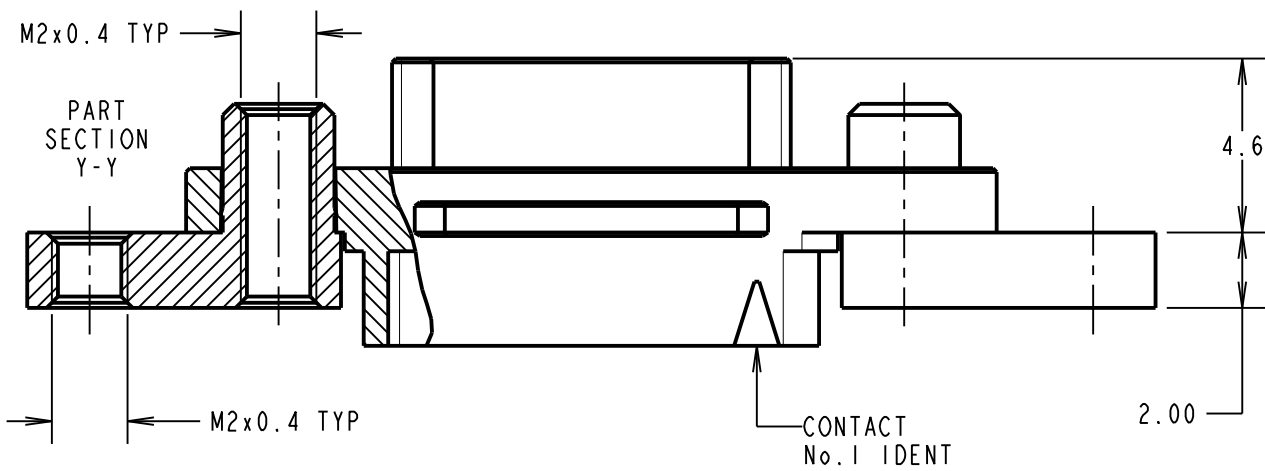
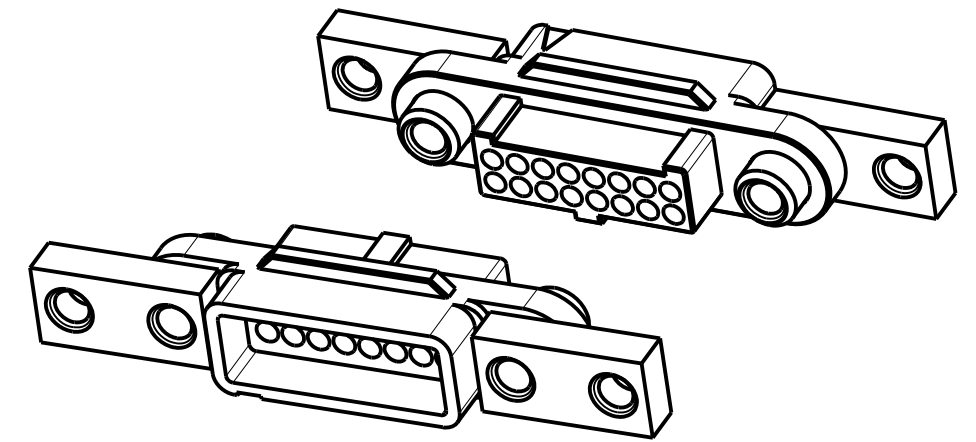
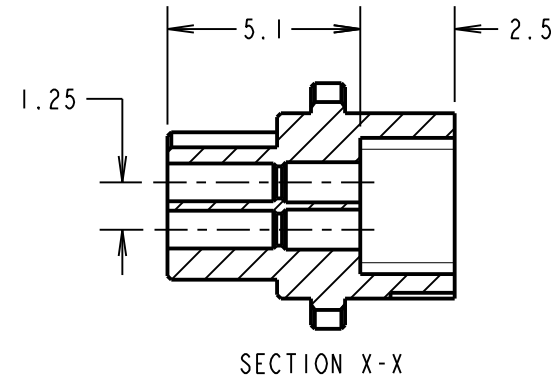
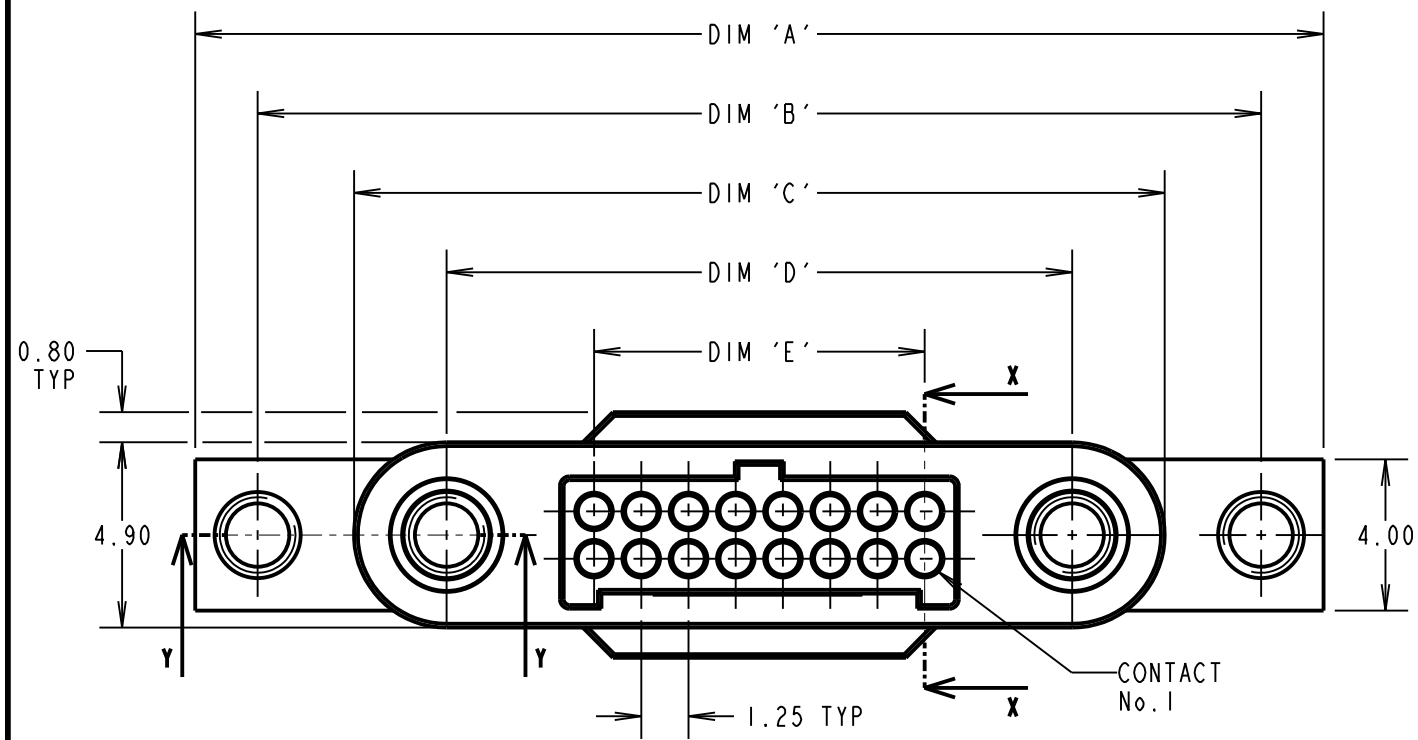
IF IN DOUBT - ASK

©

NOT TO SCALE

THIRD ANGLE PROJECTION

ALL DIMENSIONS IN mm



NOTES:

1. PACK SIZE: 10 PER BAG.
2. HOUSING TO BE USED WITH G125-0010005 (FOR 26 AWG) AND G125-0020005 (FOR 28-32 AWG) FEMALE CRIMP CONTACTS, OR G125-0200005 BLANKING PLUG.
3. FOR ASSEMBLY INSTRUCTIONS SEE INSTRUCTION SHEET IS-38.
4. FOR MATERIALS, FINISH AND SPECIFICATIONS SEE GECKO SERIES SPECIFICATION SUMMARY SHEET OR COMPONENT SPECIFICATION G125XX (LATEST ISSUE) FOR FULL SPECIFICATION.
5. DRAWING SHOWS HOUSING WITH 16 CONTACT POSITIONS.
6. CLEARANCE REQUIRED BEHIND PANEL FOR HARDWARE.
7. RECOMMENDED HEX SCREW FOR MOUNTING ON PANELS UP TO 3mm MAX THICKNESS: G125-4520000B.

PART NUMBER	DIM 'A'	DIM 'B'	DIM 'C'	DIM 'D'	DIM 'E'
G125-2240696F5	23.6	20.3	15.2	10.30	2.50
G125-2241096F5	26.1	22.8	17.7	12.80	5.00
G125-2241296F5	27.4	24.1	19.0	14.05	6.25
G125-2241696F5	29.9	26.6	21.5	16.55	8.75
G125-2242096F5	32.4	29.1	24.0	19.05	11.25
G125-2242696F5	36.1	32.8	27.7	22.80	15.00
G125-2243496F5	41.1	37.8	32.7	27.80	20.00
G125-2245096F5	51.1	47.8	42.7	37.80	30.00

ORDER CODE: **G125-224XX96F5**

TOTAL No. OF CONTACTS _____
06, 10, 12, 16, 20, 26, 34 & 50.



www.harwin.com
technical@harwin.com

THIS DRAWING AND ANY INFORMATION OR DESCRIPTIVE MATTER SET OUT HEREON ARE CONFIDENTIAL AND COPYRIGHT PROPERTY OF THE HARWIN GROUP AND MUST NOT BE DISCLOSED, LOANED, COPIED OR USED FOR MANUFACTURING, TENDERING OR FOR ANY OTHER PURPOSE WITHOUT THEIR WRITTEN PERMISSION.

TOLERANCES
X. = ±1mm
X.X = ±0.50mm
X.XX = ±0.20mm
X.XXX = ±0.01mm
ANGLES = ±5°
UNLESS STATED

MATERIAL: SEE ABOVE
FINISH: SEE ABOVE
S/AREA: mm²

TITLE: GECKO-SL SERIES FEMALE CABLE HOUSING WITH REAR PANEL MOUNT HARDWARE

DRAWING NUMBER: **G125-224XX96F5**

SHT 3 OF 3

RTP	2	14.06.21	30588
NAME	ISS.	DATE	CN/CO
APPROVED: R.PORTLOCK			
CHECKED: R.ALEXANDER			
DRAWN: R.ALEXANDER			
CUSTOMER REF.:			
ASSEMBLY DRG:			

X-ON Electronics

Largest Supplier of Electrical and Electronic Components

Click to view similar products for [Headers & Wire Housings](#) category:

Click to view products by [Harwin](#) manufacturer:

Other Similar products are found below :

[892-18-020-10-001101](#) [58102-G61-06LF](#) [582553-1](#) [0009485154](#) [009176003701906](#) [0050291907](#) [LY20-4P-DT1-P1E-BR](#) [02.125.8002.8](#)
[609-3404](#) [61062-3](#) [622-0430](#) [622-3653LF](#) [63453-116](#) [636-1030](#) [636-1427](#) [636-3427](#) [636-4007](#) [641938-9](#) [641991-4](#) [644827-2](#) [65817-010LF](#)
[65817-015LF](#) [65863-015LF](#) [66207-023LF](#) [67095-007LF](#) [67601157](#) [68648-049](#) [70.362.1628.0](#) [70-4210](#) [70-4226B](#) [70-4853B](#) [707-5020](#) [707-](#)
[5028](#) [71.350.2428.0](#) [71918-208LF](#) [71961-016LF](#) [733-134](#) [733-162](#) [754199-000](#) [760-3052](#) [787-8014-00](#) [79531-3000](#) [FCN-360C032-B](#) [FCN-](#)
[367T-T012/H](#) [FCN-723D010/2](#) [80.063.4001.1](#) [800-90-001-10-001000](#) [800-90-010-10-002000](#) [801-43-002-10-013000](#) [801-43-006-10-002000](#)