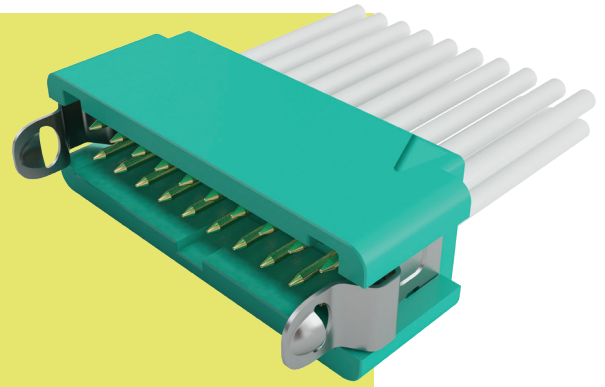


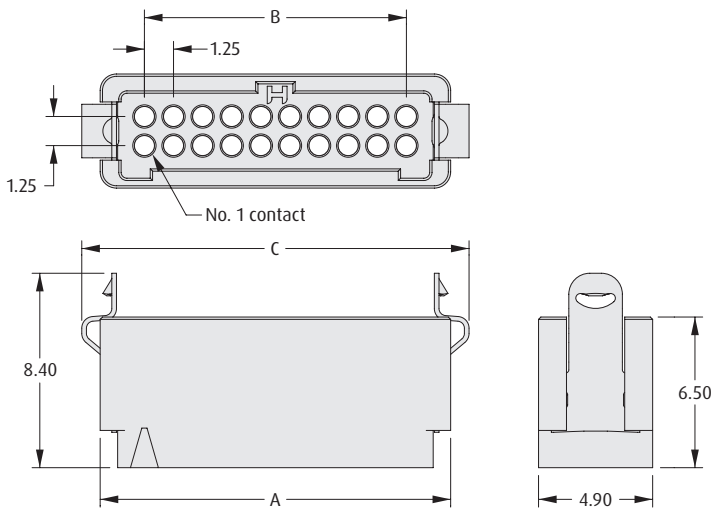
# Gecko with Latches Connectors

## Male Crimp Housing

- ❖ Features potting wall for extra security.
- ❖ No. 1 position identified on housing.
- ❖ Withstands extremes of temperature: -65°C to +150°C.
- ❖ 3 polarizing points on each housing prevent mis-mating.
- ❖ Easy to release latches require no tooling.



### MALE



### CALCULATION

<b>A</b>	$B + 3.8$
<b>B</b>	$0.625 \times (\text{Total No. of contacts} - 2)$
<b>C</b>	$B + 5.2$

### TOOLS

**Recommended Crimp Tool** - Z125-900  
**Positioner** - Z125-901  
**Contact Insertion/Removal Tool** - Z125-902

- ❖ Male contacts shown on following pages.
- ❖ Instruction sheets available at [www.harwin.com/instructions](http://www.harwin.com/instructions).

### HOW TO ORDER

**G125 - 304 XX 96 LX**

#### SERIES CODE

#### TYPE

**304** Male Housing

#### LATCH

<b>L0</b>	No Latches
<b>L4</b>	Latches (Male Only)

#### FINISH

**96** Housing

#### TOTAL NO. OF CONTACTS

**06, 10, 12, 16, 20, 26, 34, 50**

All dimensions in mm.

Patent Published

## X-ON Electronics

Largest Supplier of Electrical and Electronic Components

*Click to view similar products for [Headers & Wire Housings](#) category:*

*Click to view products by [Harwin](#) manufacturer:*

Other Similar products are found below :

[892-18-020-10-001101](#) [58102-G61-06LF](#) [582553-1](#) [0009485154](#) [009176003701906](#) [0050291907](#) [LY20-4P-DT1-P1E-BR](#) [02.125.8002.8](#)  
[609-3404](#) [61062-3](#) [622-0430](#) [622-3653LF](#) [63453-116](#) [636-1030](#) [636-1427](#) [636-3427](#) [636-4007](#) [641938-9](#) [641991-4](#) [644827-2](#) [65817-010LF](#)  
[65817-015LF](#) [65863-015LF](#) [66207-023LF](#) [67095-007LF](#) [67601157](#) [68648-049](#) [70.362.1628.0](#) [70-4210](#) [70-4226B](#) [70-4853B](#) [707-5020](#) [707-](#)  
[5028](#) [71.350.2428.0](#) [71918-208LF](#) [71961-016LF](#) [733-134](#) [733-162](#) [754199-000](#) [760-3052](#) [787-8014-00](#) [79531-3000](#) [FCN-360C032-B](#) [FCN-](#)  
[367T-T012/H](#) [FCN-723D010/2](#) [80.063.4001.1](#) [800-90-001-10-001000](#) [800-90-010-10-002000](#) [801-43-002-10-013000](#) [801-43-006-10-002000](#)