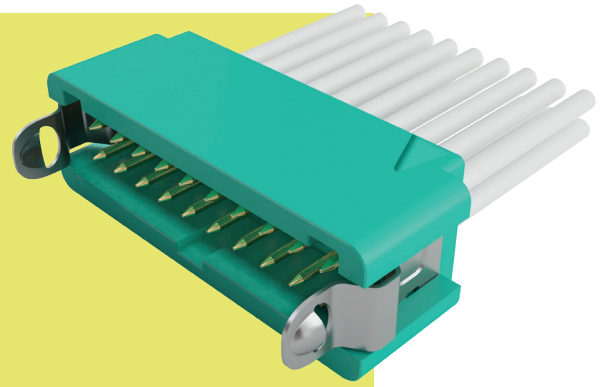


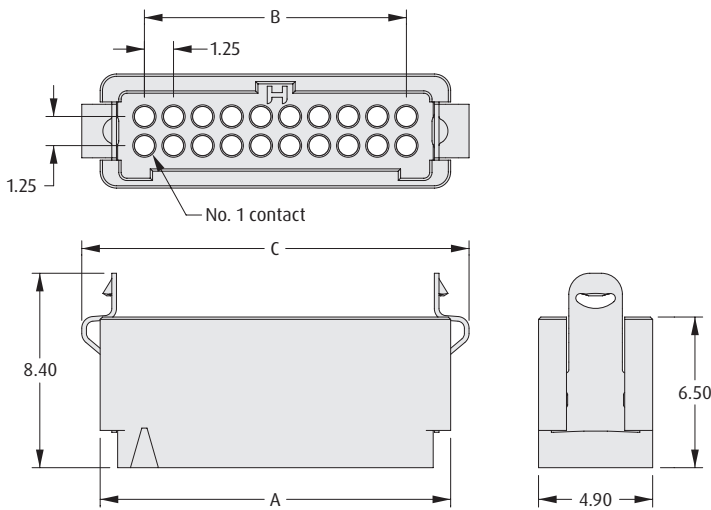
Gecko with Latches Connectors

Male Crimp Housing

- ❖ Features potting wall for extra security.
- ❖ No. 1 position identified on housing.
- ❖ Withstands extremes of temperature: -65°C to +150°C.
- ❖ 3 polarizing points on each housing prevent mis-mating.
- ❖ Easy to release latches require no tooling.



MALE



CALCULATION

A	$B + 3.8$
B	$0.625 \times (\text{Total No. of contacts} - 2)$
C	$B + 5.2$

TOOLS

Recommended Crimp Tool - Z125-900

Positioner - Z125-901

Contact Insertion/Removal Tool - Z125-902

❖ Male contacts shown on following pages.

❖ Instruction sheets available at www.harwin.com/instructions.

HOW TO ORDER

G125 - 304 XX 96 LX

SERIES CODE

TYPE

304 Male Housing

LATCH

L0	No Latches
L4	Latches (Male Only)

FINISH

96 Housing

TOTAL NO. OF CONTACTS

06, 10, 12, 16, 20, 26, 34, 50

All dimensions in mm.

Patent Published

X-ON Electronics

Largest Supplier of Electrical and Electronic Components

Click to view similar products for [Headers & Wire Housings](#) category:

Click to view products by [Harwin](#) manufacturer:

Other Similar products are found below :

[892-18-020-10-001101](#) [58102-G61-06LF](#) [582553-1](#) [0009485154](#) [009176003701906](#) [0050291907](#) [LY20-4P-DT1-P1E-BR](#) [02.125.8002.8](#)
[609-3404](#) [61062-3](#) [622-0430](#) [622-3653LF](#) [63453-116](#) [636-1030](#) [636-1427](#) [636-3427](#) [636-4007](#) [641938-9](#) [641991-4](#) [644827-2](#) [65817-010LF](#)
[65817-015LF](#) [65863-015LF](#) [66207-023LF](#) [67095-007LF](#) [67601157](#) [68648-049](#) [70.362.1628.0](#) [70-4210](#) [70-4226B](#) [70-4853B](#) [707-5020](#) [707-5028](#) [71.350.2428.0](#) [71918-208LF](#) [71961-016LF](#) [733-134](#) [733-162](#) [754199-000](#) [760-3052](#) [787-8014-00](#) [79531-3000](#) [FCN-360C032-B](#) [FCN-367T-T012/H](#) [FCN-723D010/2](#) [80.063.4001.1](#) [800-90-001-10-001000](#) [800-90-010-10-002000](#) [801-43-002-10-013000](#) [801-43-006-10-002000](#)