

Customer Information Sheet

DRAWING No.: G125-960XX02

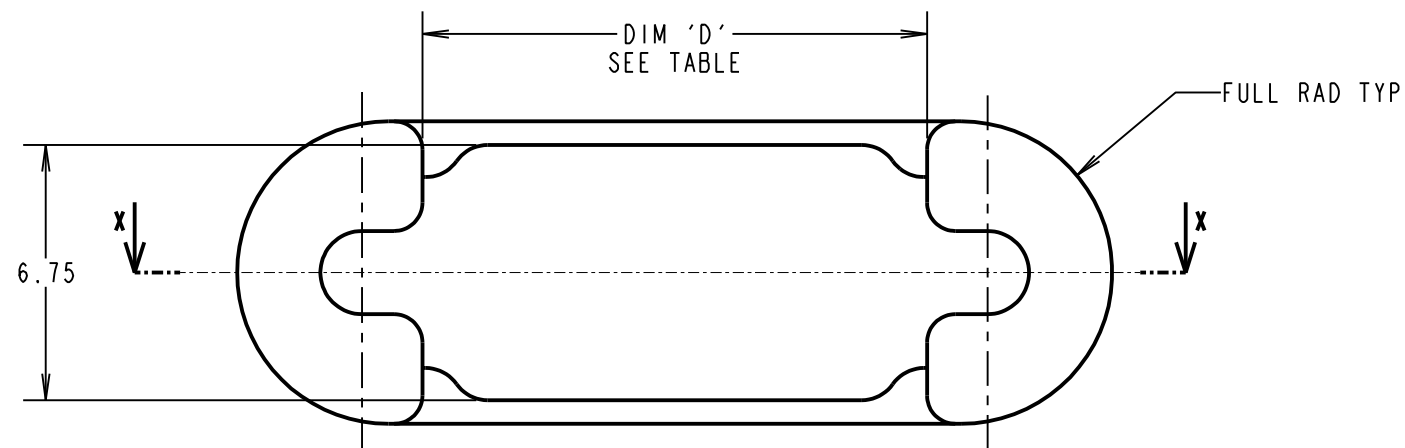
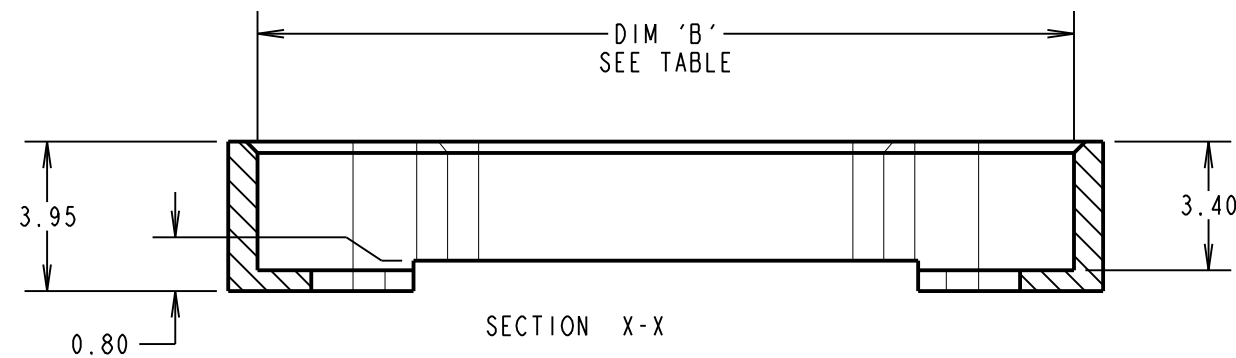
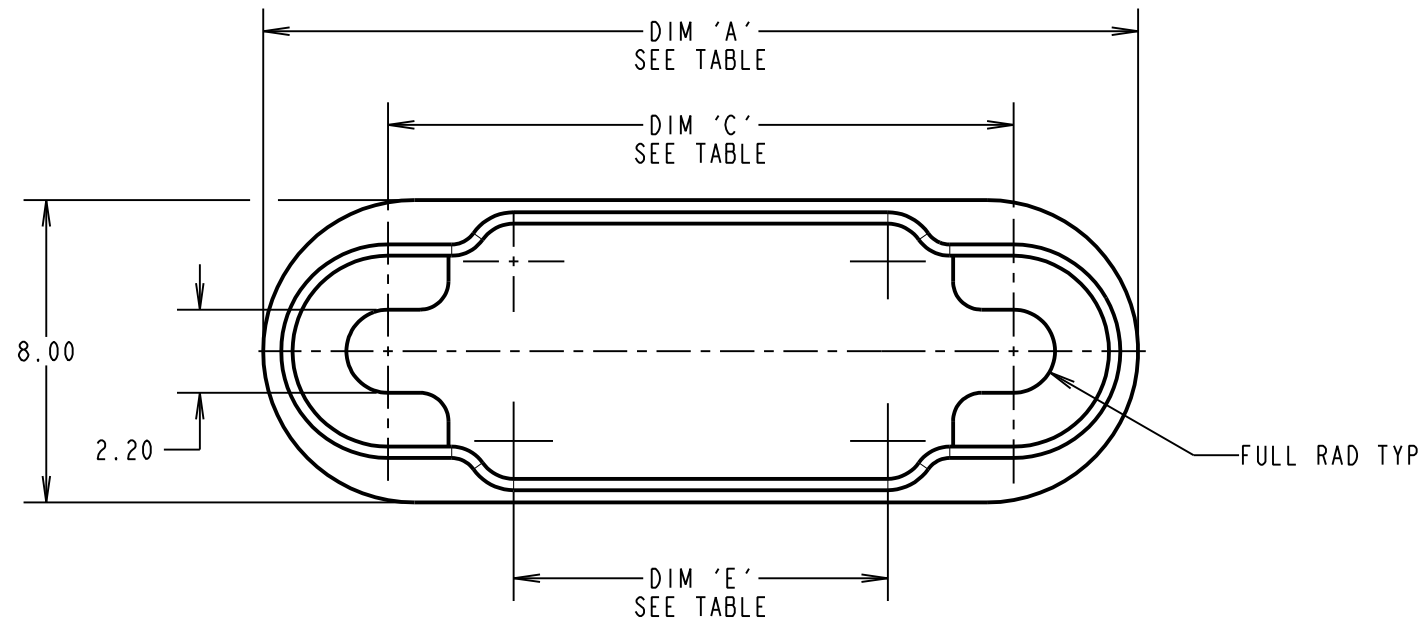
IF IN DOUBT - ASK

©

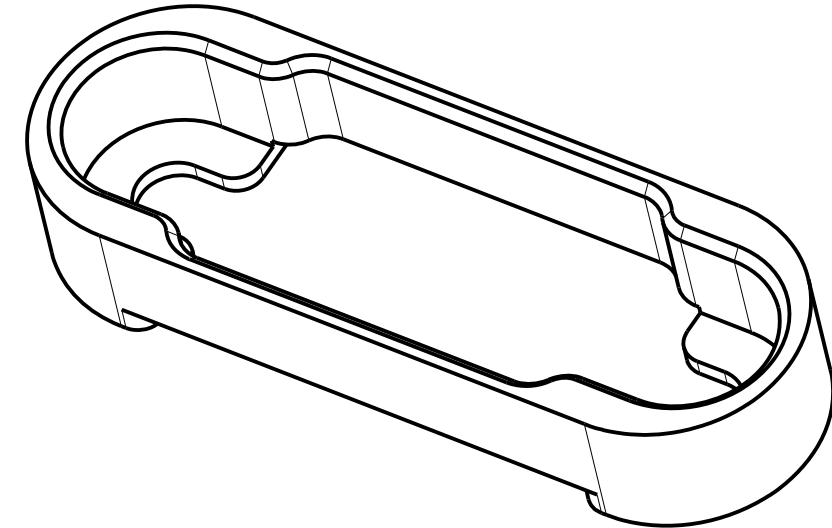
NOT TO SCALE

THIRD ANGLE PROJECTION

ALL DIMENSIONS IN mm



SPECIFICATIONS:
 MATERIAL = ALUMINIUM ALLOY
 FINISH = ELECTROLESS NICKEL
 PACKING:
 INNER PACK: 5 (WRAPPED IN TISSUE)
 OUTER PACK: BAG



- NOTES:
- METAL SHELL SUITABLE FOR THE FOLLOWING GECKO SL SERIES WITH BOARD OR PANEL MOUNT FIXINGS:
 G125-224XX96F3; G125-324XX96M2; G125-FVIXX05F3; AND G125-MVIXX05M2.
 - DRAWING SHOWS METAL SHELL FOR CONNECTOR WITH 16 CONTACTS. DRAWING ALSO APPLIES TO CONNECTORS WITH 06, 10, 12, 20, 26, 34, AND 50 CONTACTS. SEE ORDER CODE.

PART NUMBER	DIM 'A'	DIM 'B'	DIM 'C'	DIM 'D'	DIM 'E'	SURFACE AREA
G125-9600602	16.90	15.35	10.30	7.10	3.65	420mm ²
G125-9601002	19.40	17.85	12.80	9.60	6.15	457mm ²
G125-9601202	20.65	19.10	14.05	10.85	7.40	475mm ²
G125-9601602	23.15	21.60	16.55	13.35	9.90	512mm ²
G125-9602002	25.65	24.10	19.05	15.85	12.40	549mm ²
G125-9602602	29.40	27.85	22.80	19.60	16.15	604mm ²
G125-9603402	34.40	32.85	27.80	24.60	21.15	678mm ²
G125-9605002	44.40	42.85	37.80	34.60	31.15	826mm ²

RA	5	15.06.21	30584
NAME	ISS.	DATE	CN/CO
APPROVED: R.ALEXANDER			
CHECKED: M.RUDKIN			
DRAWN: M.PLESTED			
CUSTOMER REF.:			
ASSEMBLY DRG:			

PRODUCT CODE:
G125-960XX02

TOTAL No. OF CONTACTS _____
 06, 10, 12, 16, 20, 26, 34 & 50.

HARWIN

www.harwin.com
 technical@harwin.com

THIS DRAWING AND ANY INFORMATION OR DESCRIPTIVE MATTER SET OUT HEREON ARE CONFIDENTIAL AND COPYRIGHT PROPERTY OF THE HARWIN GROUP AND MUST NOT BE DISCLOSED, LOANED, COPIED OR USED FOR MANUFACTURING, TENDERING OR FOR ANY OTHER PURPOSE WITHOUT THEIR WRITTEN PERMISSION.

TOLERANCES
 X. = ±1mm
 X.X = ±0.50mm
 X.XX = ±0.20mm
 X.XXX = ±0.01mm
 ANGLES = ±5°
 UNLESS STATED

MATERIAL:
 ALUMINIUM
 FINISH: NICKEL
 S/AREA: mm²

TITLE:
 GECKO SL METAL SHELL FOR PCT & CABLE PANEL MOUNT ASSY.

DRAWING NUMBER:
G125-960XX02

SHT
 3 OF 3

X-ON Electronics

Largest Supplier of Electrical and Electronic Components

Click to view similar products for [Headers & Wire Housings](#) category:

Click to view products by [Harwin](#) manufacturer:

Other Similar products are found below :

[892-18-020-10-001101](#) [58102-G61-06LF](#) [582553-1](#) [0009485154](#) [009176003701906](#) [0050291907](#) [LY20-4P-DT1-P1E-BR](#) [02.125.8002.8](#)
[609-3404](#) [61062-3](#) [622-0430](#) [622-3653LF](#) [63453-116](#) [636-1030](#) [636-1427](#) [636-3427](#) [636-4007](#) [641938-9](#) [641991-4](#) [644827-2](#) [65817-010LF](#)
[65817-015LF](#) [65863-015LF](#) [66207-023LF](#) [67095-007LF](#) [67601157](#) [68648-049](#) [70.362.1628.0](#) [70-4210](#) [70-4226B](#) [70-4853B](#) [707-5020](#) [707-5028](#) [71.350.2428.0](#) [71918-208LF](#) [71961-016LF](#) [733-134](#) [733-162](#) [754199-000](#) [760-3052](#) [787-8014-00](#) [79531-3000](#) [FCN-360C032-B](#) [FCN-367T-T012/H](#) [FCN-723D010/2](#) [80.063.4001.1](#) [800-90-001-10-001000](#) [800-90-010-10-002000](#) [801-43-002-10-013000](#) [801-43-006-10-002000](#)