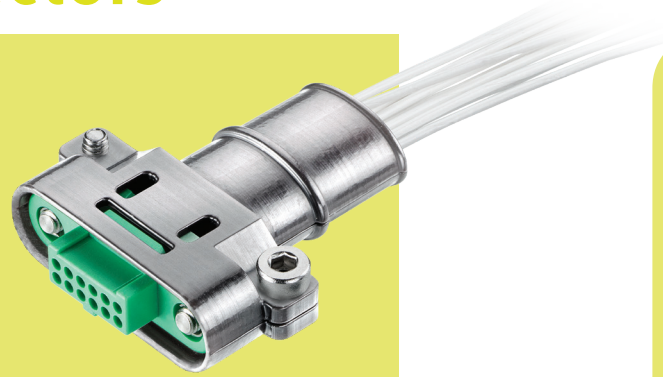


Gecko Screw-Lok Connectors

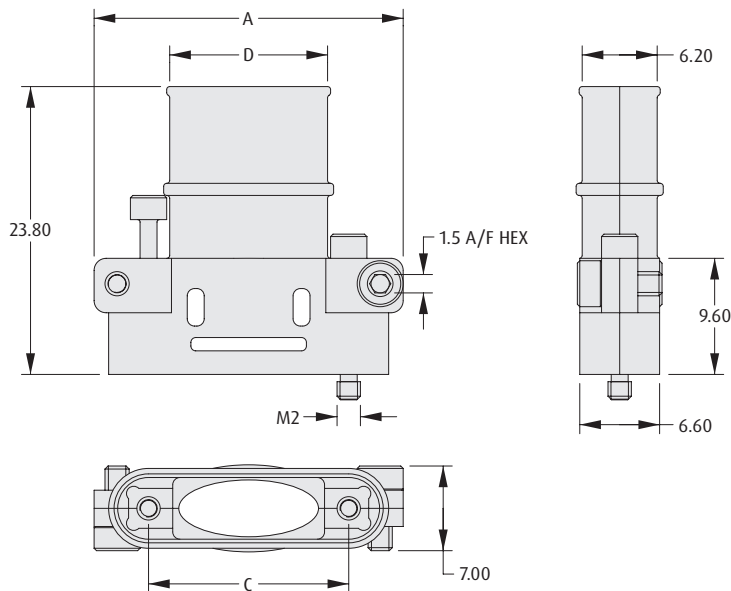
Female Metal Hood / Backshell

- ❖ Supplied as a kit, including 2 metal hood halves, tie-band (not shown), extended fixing screws for female connectors, and short screws to join the two hood halves together.
- ❖ Use with G125-224xx9600 female crimp housings without fixings - fixings are supplied with these hoods.
- ❖ Tie-band can be used to attached external braid, to construct a shielded cable assembly.



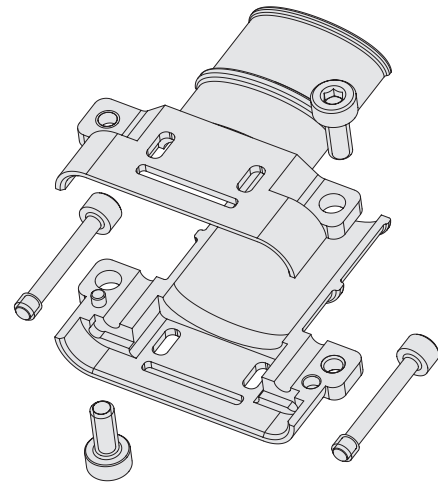
GECKO SCREW-LOK

HOOD / BACKSHELL



CALCULATION

A	$B + 16.8$
B	$0.625 \times (\text{Total No. of contacts} - 2)$
C	$B + 7.8$
D	$B + 4.3$



HOW TO ORDER

G125 - 964 XX F1

SERIES CODE

TOTAL NO. OF CONTACTS

06, 10, 12, 16, 20, 26, 34, 50

X-ON Electronics

Largest Supplier of Electrical and Electronic Components

Click to view similar products for [Headers & Wire Housings](#) category:

Click to view products by [Harwin](#) manufacturer:

Other Similar products are found below :

[892-18-020-10-001101](#) [58102-G61-06LF](#) [582553-1](#) [0009485154](#) [009176003701906](#) [0050291907](#) [LY20-4P-DT1-P1E-BR](#) [02.125.8002.8](#)
[609-3404](#) [61062-3](#) [622-0430](#) [622-3653LF](#) [63453-116](#) [636-1030](#) [636-1427](#) [636-3427](#) [636-4007](#) [641938-9](#) [641991-4](#) [644827-2](#) [65817-010LF](#)
[65817-015LF](#) [65863-015LF](#) [66207-023LF](#) [67095-007LF](#) [67601157](#) [68648-049](#) [70.362.1628.0](#) [70-4210](#) [70-4226B](#) [70-4853B](#) [707-5020](#) [707-5028](#) [71.350.2428.0](#) [71918-208LF](#) [71961-016LF](#) [733-134](#) [733-162](#) [754199-000](#) [760-3052](#) [787-8014-00](#) [79531-3000](#) [FCN-360C032-B](#) [FCN-367T-T012/H](#) [FCN-723D010/2](#) [80.063.4001.1](#) [800-90-001-10-001000](#) [800-90-010-10-002000](#) [801-43-002-10-013000](#) [801-43-006-10-002000](#)