

Customer Information Sheet

DRAWING No.: G125-FCXXX05F0-XXXXL

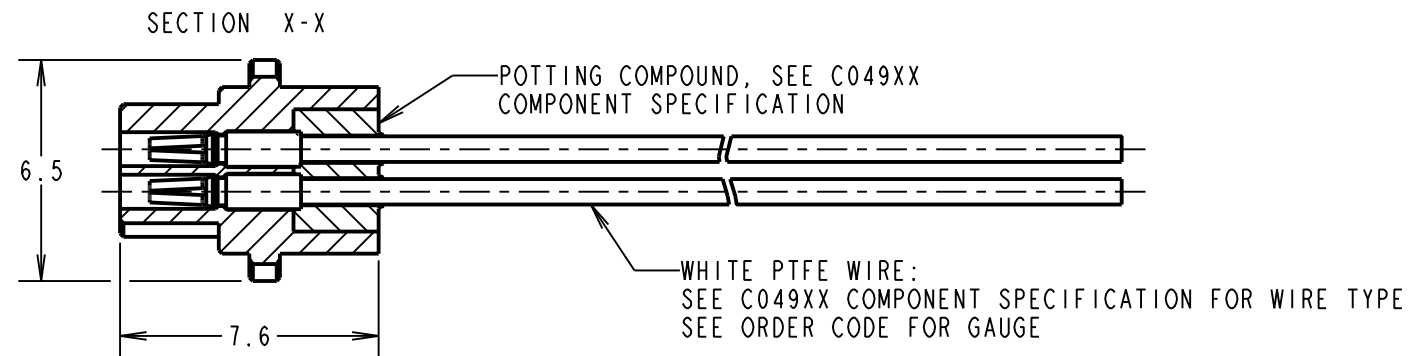
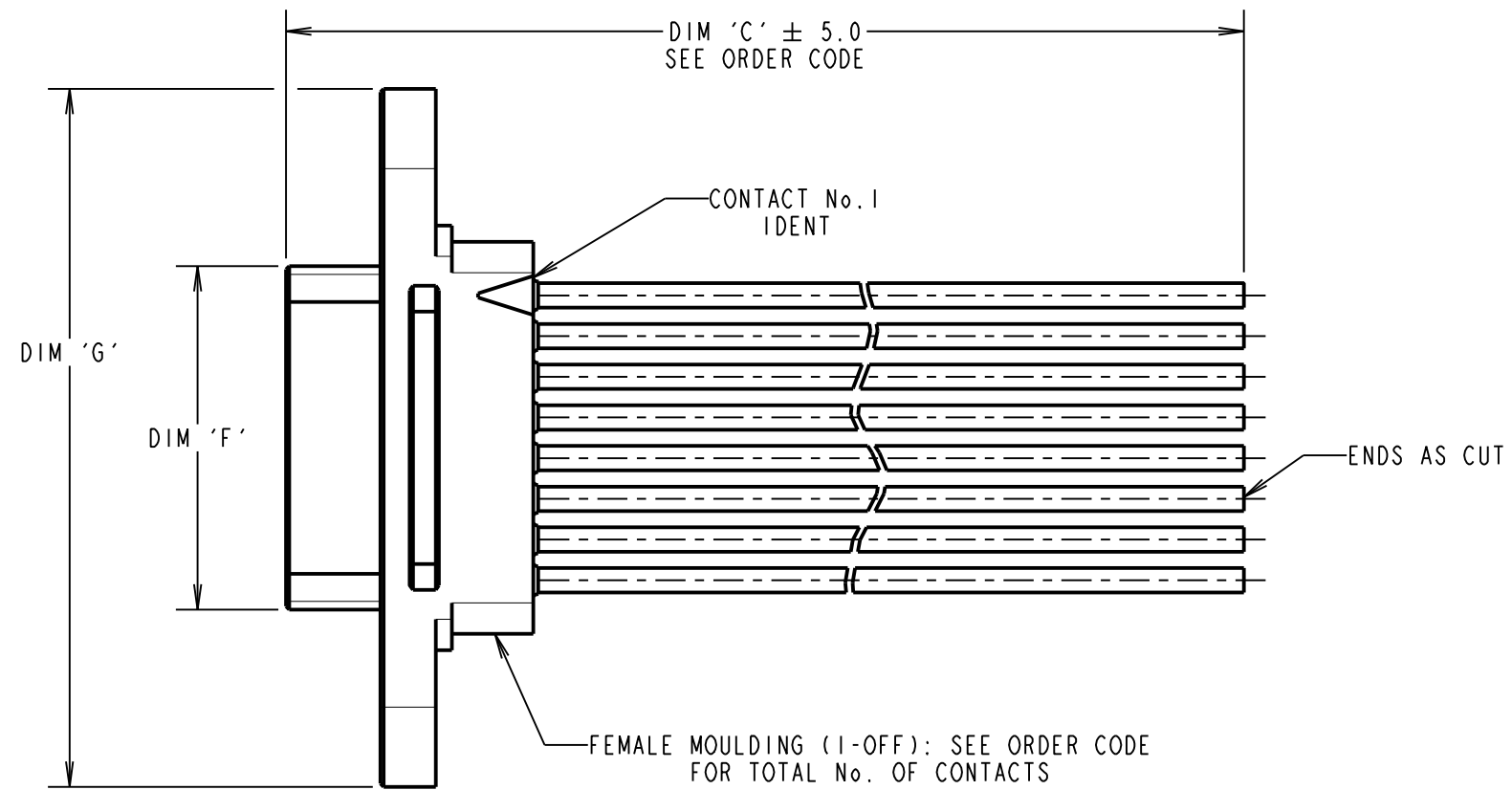
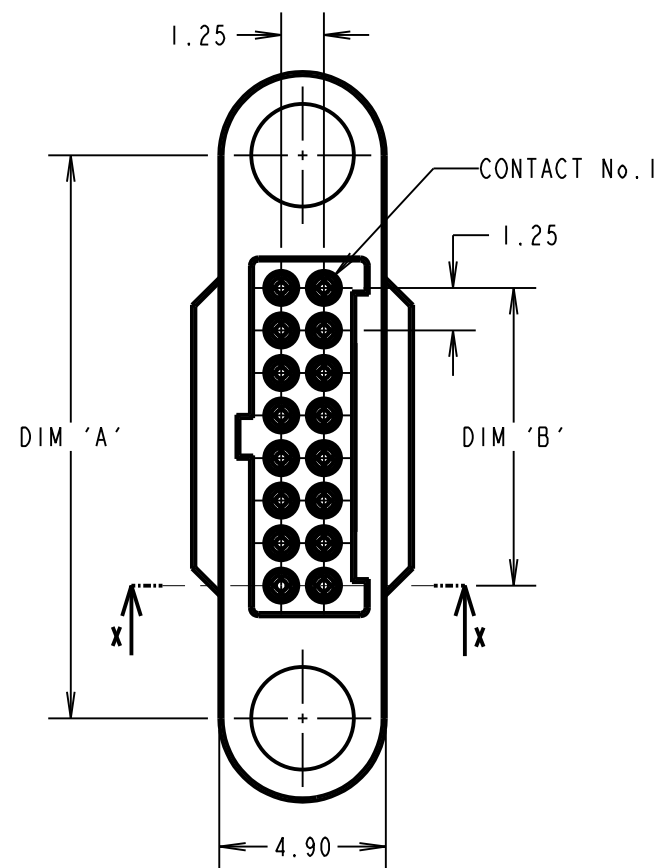
IF IN DOUBT - ASK

©

NOT TO SCALE

THIRD ANGLE PROJECTION

ALL DIMENSIONS IN mm



DIMENSION	MEASUREMENT
DIM 'A'	(TOTAL No. OF CONTACTS - 2) x 0.625 + 7.80
DIM 'B'	(TOTAL No. OF CONTACTS - 2) x 0.625 ± 0.20
DIM 'F'	(TOTAL No. OF CONTACTS - 2) x 0.625 + 1.80
DIM 'G'	(TOTAL No. OF CONTACTS - 2) x 0.625 + 12.7

EXAMPLE PART No.
12 CONTACT CONNECTOR WITH 150mm OF 26AWG WIRE =
G125-FC11205F0-0150L
50 CONTACT CONNECTOR WITH 450mm OF 28AWG WIRE =
G125-FC25005F0-0450L



PATENTED TECHNOLOGY

ORDER CODE:

G125-FCXXX05F0-XXXXL

26 AWG = 1
28 AWG = 2

DIM 'C' LENGTH:
0060 = 60mm MIN
9999 = 9999mm MAX

TOTAL No. OF CONTACTS:
06, 10, 12, 16,
20, 26, 34, 50

MR	4	20.11.20	30101
NAME	ISS.	DATE	CN/CO
APPROVED:		M. RUDKIN	
CHECKED:		R. ALEXANDER	
DRAWN:		M.G. PLESTED	
CUSTOMER REF.:			
ASSEMBLY DRG:			

NOTES:

- CABLE ASSEMBLIES BULK PACKED IN BAGS.
- CUSTOM LENGTH CABLE ASSEMBLIES CAN BE PRODUCED FROM 60mm TO 9999mm.
- FOR COMPLETE SPECIFICATION, SEE COMPONENT SPECIFICATIONS C049XX AND C125XX (LATEST ISSUES).

HARWIN

www.harwin.com
technical@harwin.com

THIS DRAWING AND ANY INFORMATION OR DESCRIPTIVE MATTER SET OUT HEREON ARE CONFIDENTIAL AND COPYRIGHT PROPERTY OF THE HARWIN GROUP AND MUST NOT BE DISCLOSED, LOANED, COPIED OR USED FOR MANUFACTURING, TENDERING OR FOR ANY OTHER PURPOSE WITHOUT THEIR WRITTEN PERMISSION.

TOLERANCES
X. = ±1mm
X.X = ±0.50mm
X.XX = ±0.20mm
X.XXX = ±0.01mm
ANGLES = ±5°
UNLESS STATED

MATERIAL:
SEE ABOVE
FINISH:
SEE ABOVE
S/AREA:
mm²

TITLE:
GECKO SL FEMALE CRIMP
CONNECTOR WITH PIGTAIL

DRAWING NUMBER:
G125-FCXXX05F0-XXXXL

SHT
3
OF
3

X-ON Electronics

Largest Supplier of Electrical and Electronic Components

Click to view similar products for [Rectangular Cable Assemblies](#) category:

Click to view products by [Harwin](#) manufacturer:

Other Similar products are found below :

[MC320E-N-23](#) [G125FC10668L0-0300L](#) [G125FC10668L0-0150L](#) [G125-FC11068L0-0150L](#) [G125-FC11068L0-0300L](#) [HQCD-090-05.00-](#)
[TTR-TTR-1-B](#) [M80-FC23468FC-0150L](#) [215322-2032](#) [215323-2052](#) [215323-1032](#) [215323-2031](#) [SFSDT-35-28-H-24.00-SR](#) [SFSDT-30-28-](#)
[H-24.00-SR](#) [SFSDT-50-28-H-24.00-SR](#) [S1SS-05-28-GF-10.00-S](#) [SMSD-05-24-L-06.00-D-K-KDX](#) [ERCD-030-11.81-TEU-TED-1-D](#)
[CABLE-PH10](#) [CABLE-EH04](#) [vrw-05-20-50-01g-000-e090](#) [MP-2J1-025-PS1-005M](#) [CABLE-PH04](#) [27ZRO-B-1A](#) [M300-FC11005F2-0450L](#)
[M300-FC21005F2-0450L](#) [M80-FC305F1-04-0300F1](#) [45130-0401](#) [45130-0210](#) [45130-0410](#) [45111-0402](#) [45111-0603](#) [15134-0302](#) [15134-](#)
[0401](#) [15134-0803](#) [15134-0801](#) [45111-0403](#) [15132-0403](#) [15131-0403](#) [15134-1003](#) [15134-1000](#) [45135-0603](#) [45135-0401](#) [45132-0610](#) [15134-](#)
[1002](#) [45135-0610](#) [45132-0403](#) [15134-1203](#) [15135-0806](#) [15134-0300](#) [15134-1202](#)